

# 30" Microwave Combination Oven, HBL87M53UC, Stainless Steel



## Features and Benefits

### Design

- Touch control with SteelTouch™ buttons makes operating the oven easier
- Bosch wall ovens are compatible with most existing cutouts

### Performance

- Lower oven's convection multi-rack mode gives uniform baking results even when using all 3 racks simultaneously
- Family or guests late to dinner? Keep food warm in the lower oven without overcooking until ready to serve by using the warm mode
- Lower oven's proof mode maintains a low temperature to proof yeast doughs for an even and faster rise compared to being left on the countertop
- Closed-door broiling prevents intense heat from escaping the lower oven - offering rich, even browning on tender cuts of meat and perfectly toasted casseroles

### Efficiency

- Download Bosch Home Connect application and control the lower wall oven with your smart phone or tablet

### Convenience

- Keep your home safe by avoiding accidental or unsupervised use of your wall oven with the panel lock feature
- 1 light in the upper microwave and 2 lights in the lower oven gives visibility in the cavity so you can see the cooking progress
- Large oven window lets you monitor the cooking progress without opening the oven door to maintain a consistent oven temperature
- Lower oven comes with 2 standard racks and 1 telescopic rack that gives easier accessibility for large or heavy dishes
- Dampened hinges softly guide the lower oven's QuietClose door shut. It's premium engineering that you'll appreciate each time you close your oven

### Capacity

- With capacities of 1.6 cu. ft upper microwave and 4.6 cu. ft. lower oven allows enough space to cook everyday meals or for a crowd

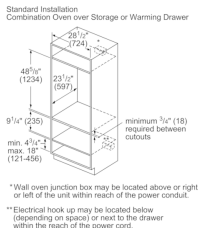
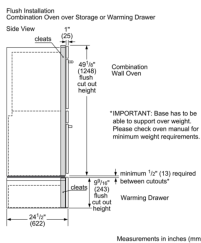
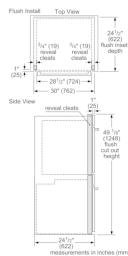
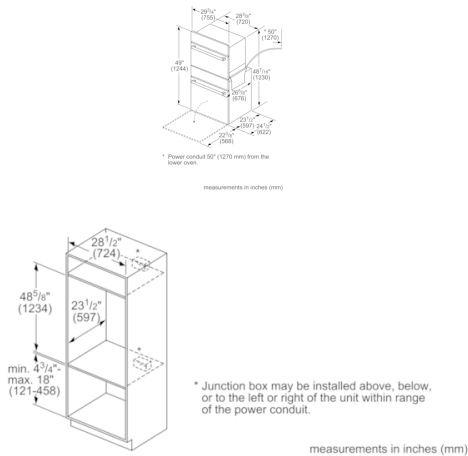
Notes: All height, width and depth dimensions are shown in inches. \*Please refer to installation instructions prior to making cutout. BSH reserves the absolute and unrestricted right to change product materials and specifications, at any time, without notice. Consult the product's installation instructions for final dimensional data and other details. Applicable product warranty can be found in a accompanying product literature or you may contact your account manager for further details.

For more information on our entire line of products, go to [boschappliances.com](http://boschappliances.com) or call 1-800-944-2904.

Copyright ©2019 BSH Home Appliances Corporation. All rights reserved. Bosch is a registered trademark of Robert Bosch GmbH.

Litho Date: 08/2019

# 30" Microwave Combination Oven, HBL87M53UC, Stainless Steel



## Features

<b>Cooking mode</b>	<b>Microwave</b>
<b>Cooking method secondary cavity</b>	<b>3rd element convection, Convection Bake, Convection Broil, Convection Roast, Dough proving setting, Pizza setting, Small area grill, Top/bottom heating, Top heating, 1/3 bottom heat., Variable small-area grill, Warming</b>
<b>Integrated Cleaning system</b>	<b>No</b>
<b>Number of interior lights</b>	<b>1</b>
<b>Timer</b>	<b>Yes</b>
<b>Included accessories</b>	<b>1 x oven racks / lower, 1 x temperature probe /lower</b>
<b>Bake Element Wattages primary cavity (W)</b>	<b>600</b>
<b>Broil Element Wattages primary cavity (W)</b>	<b>1750</b>
<b>Convection Element Wattages primary cavity (W)</b>	<b>1700</b>
<b>Microwave Wattages (W)</b>	<b>1000</b>

## Technical Specification

<b>UPC code</b>	<b>825225960164</b>
<b>Product color</b>	<b>Stainless steel</b>
<b>Alternative colors available</b>	
<b>Energy source</b>	<b>Electric</b>
<b>Watts (W)</b>	<b>7975</b>
<b>Current (A)</b>	<b>40</b>
<b>Volts (V)</b>	<b>208-240</b>
<b>Frequency (Hz)</b>	<b>60</b>
<b>Approval certificates</b>	<b>CSA</b>
<b>Power Cord Length</b>	<b>50"</b>
<b>Plug type</b>	<b>no plug</b>
<b>Required cutout size (HxWxD) (in)</b>	<b>48 5/8" x 28 1/2" x 23 1/2"</b>
<b>Overall appliance dimensions (HxWxD) (in)</b>	<b>49" x 29 3/4" x 24 1/2"</b>
<b>Product packaging dimensions (HxWxD) (in)</b>	<b>55 3/4" x 34" x 31 1/2"</b>
<b>Net weight (lbs)</b>	<b>328</b>
<b>Gross weight (lbs)</b>	<b>328</b>

**Notes:** All height, width and depth dimensions are shown in inches. \*Please refer to installation instructions prior to making cutout. BSH reserves the absolute and unrestricted right to change product materials and specifications, at any time, without notice. Consult the product's installation instructions for final dimensional data and other details. Applicable product warranty can be found in a accompanying product literature or you may contact your account manager for further details.

For more information on our entire line of products, go to [boschappliances.com](http://boschappliances.com) or call 1-800-944-2904.

Copyright ©2019 BSH Home Appliances Corporation. All rights reserved. Bosch is a registered trademark of Robert Bosch GmbH.

Litho Date: 08/2019