

Built-In Ovens

Installation Manual

500/800 Series

HBL53, HBL54, HBL55, HBL56, HBN54,
HBN56, HBN57, HBL84, HBN84, HBL86,
HBN86, HBL87, HBLP75, HSLP75



BOSCH

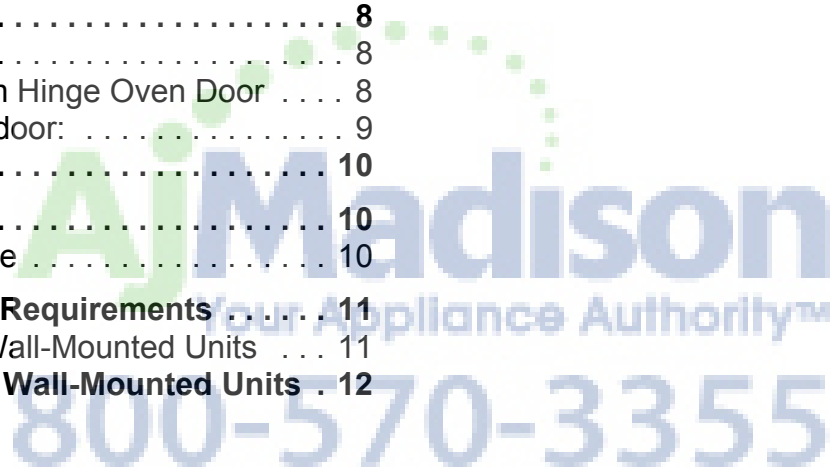
Invented for life





Table of Contents

Safety	1
Before You Begin	2
Tools and Parts Needed	2
Parts Included	2
General Information	2
Dimensions and Cabinet Requirements ..	3
Removing Packaging	3
Preparing Oven	3
Installation	4
Determine the Installation Type	4
Pre-Assembly of Combination Ovens Prior to Installation	4
Electrical Installation	7
Installing the Oven Unit into the Wall Cabinet	8
For Best Installation	8
Removing the Bottom Hinge Oven Door	8
To replace the oven door:	9
Testing Operation	10
Service	10
Before Calling Service	10
Cabinet Dimension Requirements	11
Dimensions for 27" Wall-Mounted Units	11
Dimensions for 30" Wall-Mounted Units ..	12



This Bosch Appliance is made by
BSH Home Appliances Corporation
1901 Main Street, Suite 600
Irvine, CA 92614

Questions?

1-800-944-2904

www.bosch-home.com

We look forward to hearing from you!

IMPORTANT SAFETY INSTRUCTIONS

READ AND SAVE THESE INSTRUCTIONS

Safety

WARNING:

If the information in this manual is not followed exactly, fire or shock may result causing property damage or personal injury.

WARNING:

Do not repair or replace any part of the appliance unless specifically recommended in the manuals. Improper installation, service or maintenance can cause injury or property damage. Refer to this manual for guidance. All servicing should be done by a qualified technician.

Appliance Handling Safety

Do not lift appliance by door handle. Remove the door for easier handling and installation. See instructions in Use and Care Manual.

Unit is heavy and requires at least two people or proper equipment to move.

Hidden surfaces may have sharp edges. Use caution when reaching behind or under appliance.

Safety Codes and Standards

This appliance complies with one or more of the following Standards:

- UL 858, Household Electric Ranges
- UL 923, Microwave Cooking Appliances
- UL 507, The Standard for the Safety of Electric Fans
- CAN/CSA-C22.2 No. 113-M1984 Fans and Ventilators

It is the responsibility of the owner and the installer to determine if additional requirements and/or standards apply to specific installations.

Electric Safety

Before you plug in an electrical cord, be sure all controls are in the OFF position.

If required by the National Electrical Code (or Canadian Electrical Code), this appliance must be installed on a separate branch circuit.

Installer - show the owner the location of the circuit breaker or fuse. Mark it for easy reference.

Important - Save these instructions for the local electrical inspector's use.

Before installing, turn power OFF at the service panel. Lock service panel to prevent power from being turned ON accidentally.

Refer to data plate for more information. See "Data Plate" under "Service" for data plate location.

Be sure your appliance is properly installed and grounded by a qualified technician. Installation, electrical connections and grounding must comply with all applicable codes.

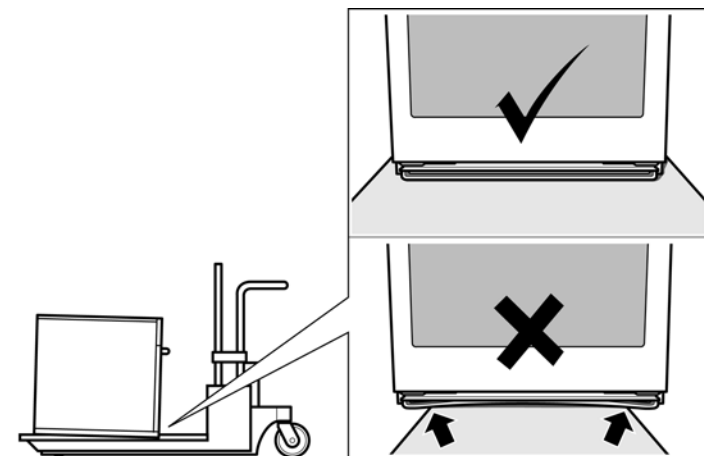
Related Equipment Safety

Remove all tape and packaging before using the appliance. Destroy the packaging after unpacking the appliance. Never allow children to play with packaging material.

Never modify or alter the construction of the appliance. For example, do not remove leveling legs, panels, wire covers or anti-tip brackets/screws.

Transport

To avoid damage to the oven vent, use the transport method shown in the picture below.



Support the bottom of the oven from side to side when moving it into the installation location. Leave the unit attached to the shipping pallet until it is in front of the oven cavity, ready to lift into place.

Preparation

Before You Begin

Tools and Parts Needed

- Phillips head screwdriver
- Star head screwdriver (T20)
- Measuring tape
- Drill with bit (1/8")

Parts Included

- Phillips head screws (6)

General Information

Power Requirements

The outlet must be properly grounded in accordance with all applicable codes.

For Best Installation

The oven can be difficult for two people to handle during installation. It is recommended to have three or more people available to assist with lifting the unit into place.

Removal of the bottom hinge oven door during installation (to provide the necessary handholds and to significantly reduce the unit weight) can be cumbersome unless the detailed door removal instructions are followed carefully.

Note: Do not attempt to remove the side hinge door (some models).

Please take time to read and follow the instructions provided for an improved installation experience.

Checklist

Use this checklist to verify that you have completed each step of the installation process. This can help you avoid common mistakes.

- ___ 1. Before installing the oven, be sure to verify the cabinet dimensions are correct for your unit and the required electrical connections are present.
- ___ 2. Refer to the installation manual for content regarding Safety, Cabinet Dimensions, Removing Packaging, Electrical Installation, Testing the Installation and Customer Service.
- ___ 3. Remove the oven door(s) to reduce the unit weight and to provide access to handholds for lifting.
- ___ 4. Move the oven unit into place in front of the cabinet opening, leaving the bottom packaging on the unit to avoid damaging flooring.
- ___ 5. Remove the T20 screws holding the unit to the base of the carton (using Star-head screwdriver).
- ___ 6. If installing a combination unit (oven and microwave or oven and steam oven) complete the assembly before installing the unit.
- ___ 7. Team lift the unit directly into the cabinet cutout taking care not to pinch fingers or scratch hands or arms. Make sure the electrical conduit reaches to the connection point properly.
- ___ 8. Slide the unit all the way into place, making sure to route the electrical conduit correctly.
- ___ 8. Fasten the oven unit to the cabinetry opening with the screws supplied (using Philips screwdriver).
- ___ 10. Reinstall the oven door(s) removed in step 2 above.
- ___ 11. Consult the complete installation instructions and follow the remainder of the procedures listed, including performing an operation test.
- ___ 12. All product literature and accessories (may be wrapped or boxed) with the oven.
- ___ 13. INSTALLER - Leave the literature pack and the accessories with the customer.

Dimensions and Cabinet Requirements

Cabinet requirements vary depending on the model to be installed. Please consult the “Cabinet Dimension Requirements” section at the back of this installation manual for the details pertaining to your particular model.

All models require:

- 1/4” (6.4 mm) space between the side of the oven and an adjacent wall or cabinet door when installed at the end of a cabinet run.
- Installation of 2x4’s extending front to back flush with the bottom and side of the opening to provide oven

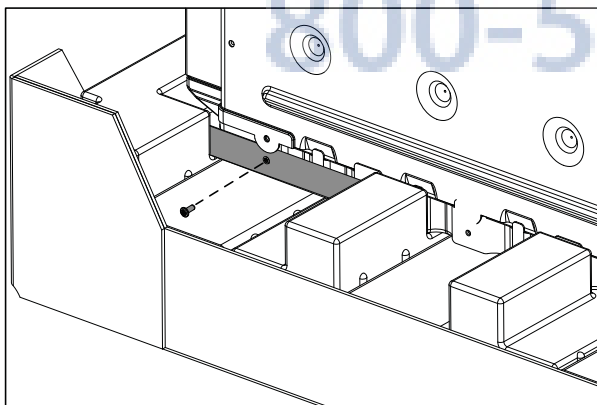
support. This supporting base must be well secured to the floor/cabinet and must be level.

- The electrical conduit box must be located above the unit to facilitate connecting and servicing the unit.
- The cabinet base must be flat and capable of supporting the weight of your oven when in use (varies by model up to 429 lbs. (195 kg)). See the appropriate weight for your model in the “Cabinet Dimensions Requirements” section at the back of this installation manual.

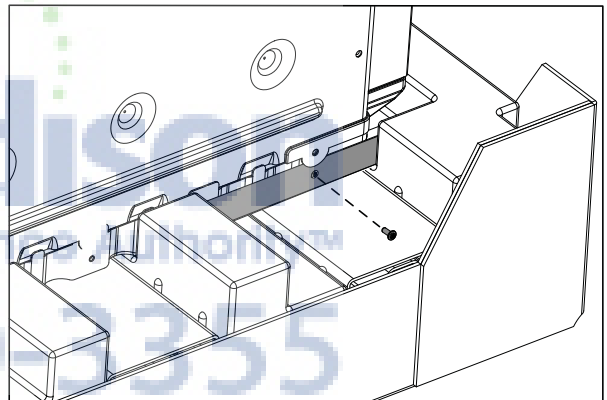
Removing Packaging

- Cut straps on outside of box.
- Remove cardboard box.
- Remove all top and side cardboard and Styrofoam braces.
- Place oven in front of cabinets where it is to be installed.
- Unscrew unit from Left and Right Brackets as show in “Left and Right Packaging Bracket Removal.”

Left Packaging Bracket Removal



Right Packaging Bracket Removal



Note:

Different models use different packaging materials. Actual brackets may look differently. Bracket remains in packaging base. Unit should stay on packaging base until ready to be lifted into cabinet cutout.

Preparing Oven

Place oven in front of cabinets where it is to be installed. Rest it on a sturdy support so that it is in line with the cabinet cutout.

Installation

Determine the Installation Type

This installation manual provides instructions for the installation of single ovens, double ovens and combination ovens (a single oven combined with with microwave or steam oven).

Parts Provided

Oven Bottom trim (1) Packed in a plastic sleeve, with mounting screws in a red bag within the sleeve



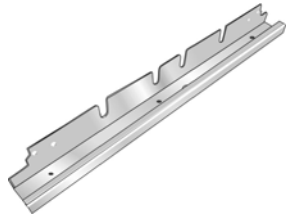



Standalone single and double oven units require no pre-assembly. Unless you are installing a combination oven, skip over the combination oven pre-assembly instructions and **go directly to “Electrical Installation” which applies to all ovens.**

Pre-Assembly of Combination Ovens Prior to Installation

Combination ovens (with microwave or steam oven) require the units to be assembled together prior to installing the combination unit into the wall cabinet.

Note: The single oven can be installed with a Steam Oven or with a Microwave Oven. The installation procedure differs between these. The parts contained in the square tube parts box are common to both installations.

Parts Provided

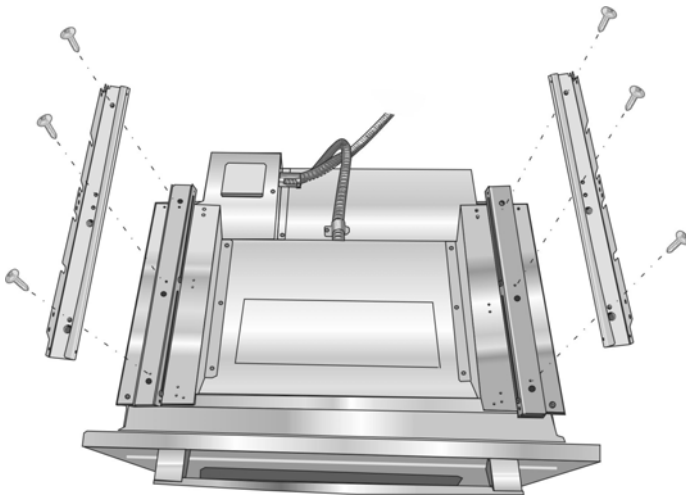
Universal connector bracket (2) (in parts box on top of oven)	
Screws (16) (in red bag, inside parts box on top of oven)	
Decorative trim (1) Packed in bubble wrap, near the oven control panel.	
Combo service slide assembly (2)* * This part is preassembled on the oven to accommodate attachment of a microwave.	

Installation with the Microwave Oven

Note: Do not place the oven into the wall cabinet until after mounting the microwave on it using the universal connector brackets.

1. The combo service slide assemblies are attached to the oven spaced to accept the microwave.
2. Install both universal connector brackets using six of the screws provided. Tighten screws securely, but do not overtighten.

Note: The universal connector brackets are interchangeable for the left and right sides of the oven. Be sure the taller vertical edge of the bracket is positioned to the outside of the oven.



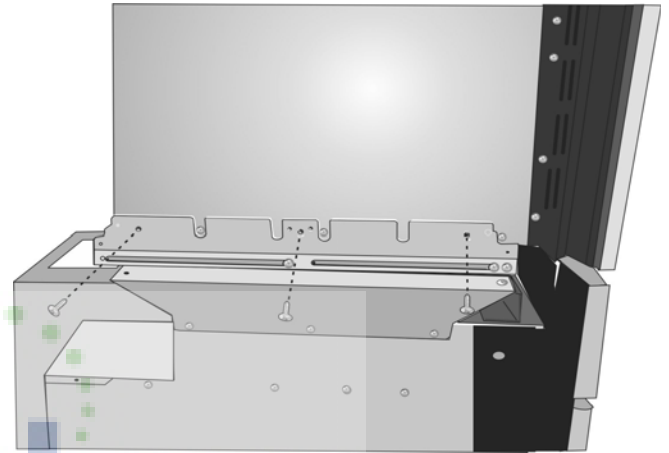
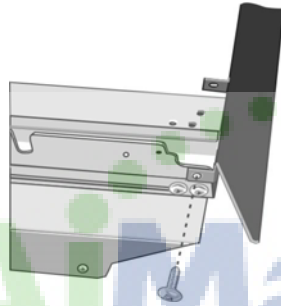
- Place the microwave oven unit on top of the universal connector brackets and fasten in place using three screws per side. Tighten the screws securely, but do not overtighten.

Note: The existing screws in the microwave base help with alignment. When lowering the microwave into place on the universal connector bracket, allow these screw heads to slide into the slots as shown in the illustration below. The screw nearest the front of the microwave slides into the base of the slope at the front of the bracket.

- Install the decorative trim.

Position the decorative trim piece so the flanges with the holes in them face away from the oven door.

Align the outer flanges with the outside of the universal brackets. Fasten with 1 screw each into the end hole of the universal bracket. Tighten screws securely, but do not overtighten.

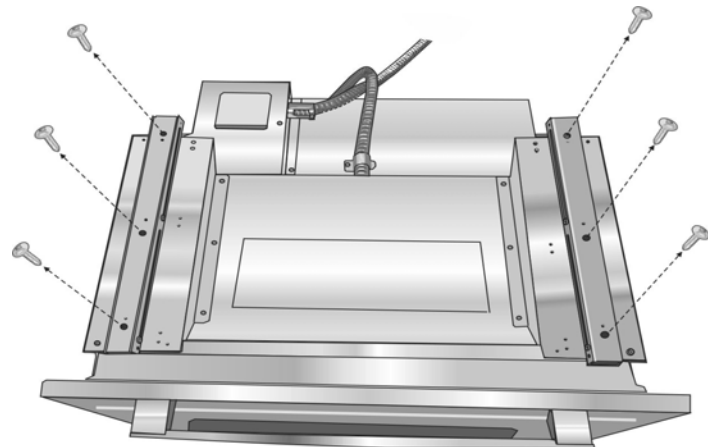


- Continue with the unit installation in the following sections on electrical connection and installing the oven unit into the wall cabinet.

800-570-3355 Installation with the Steam Oven

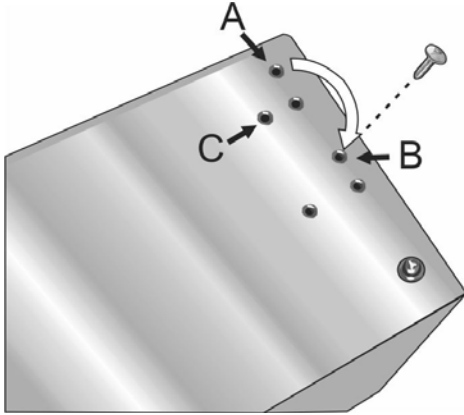
Note: Do not place the oven into the wall cabinet until after mounting the steam oven on it using the universal connector brackets.

- Remove the six screws holding the combo service slide assemblies to the support bracket. Use a magnetic screwdriver bit to reach the screws through the large holes in the tops of the slides.

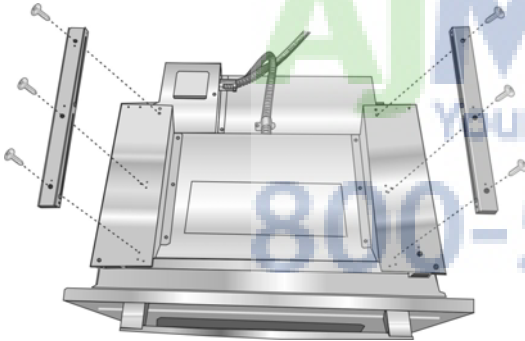


Combination Oven Pre-Assembly

- The screw in position A (nearest the inside edge, near control panel) must be moved to allow the universal bracket to be positioned there. Remove the inside screw (A) from the left support bracket and reinsert it into the third hole (B) from the inside edge of the support bracket. Repeat for the right support bracket.



- Reattach the slide assemblies using the holes near the inside edge of the support bracket. Align the slide assembly parallel to the edge of the bracket and insert the first screw in hole (C). Insert all three screws for each slide assembly. Tighten the screws securely, but do not overtighten.

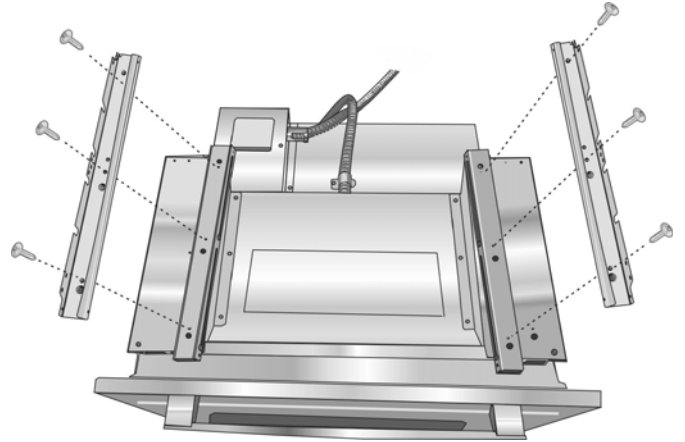


Note: When the correct holes are used, the front of the slide assembly will extend just past the edge of the horizontal support bar. The slide assembly will be about 1/8" (3 mm) from the inside edge of the support bracket.

- Install the two universal connector brackets to the slide assemblies using the screws provided. Tighten screws securely, but do not overtighten.

Note: The universal connector brackets are interchangeable for the left and right sides of the oven. Be sure the

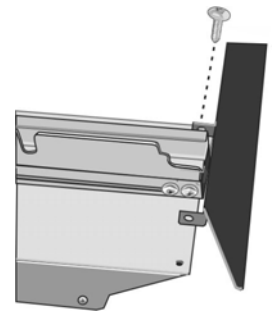
taller vertical edge of the bracket is positioned to the outside of the oven.



- Install the decorative trim.

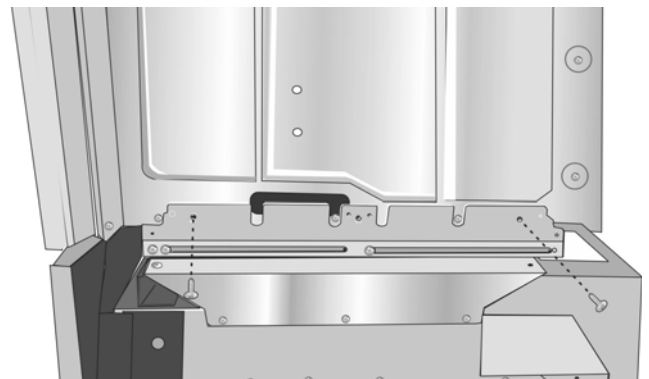
Position the decorative trim piece so the flanges with the holes in them face away from the oven door.

Align the inner flanges with the inside of the universal brackets. Fasten with one screw each into the end hole of the universal bracket. Tighten screws securely, but do not overtighten.



- Place the steam oven unit on top of the universal connector brackets and fasten in place using two screws per side. Tighten the screws securely, but do not overtighten.

Note: The existing screws in the steam oven base help with alignment. When lowering the steam oven into place on the universal connector bracket, allow these screw heads to slide into the slots as shown in the illustration below. The screw nearest the front of the steam oven slides into the base of the slope at the front of the bracket.



- Continue with the unit installation in the following sections on electrical connection and installing the oven unit into the wall cabinet.

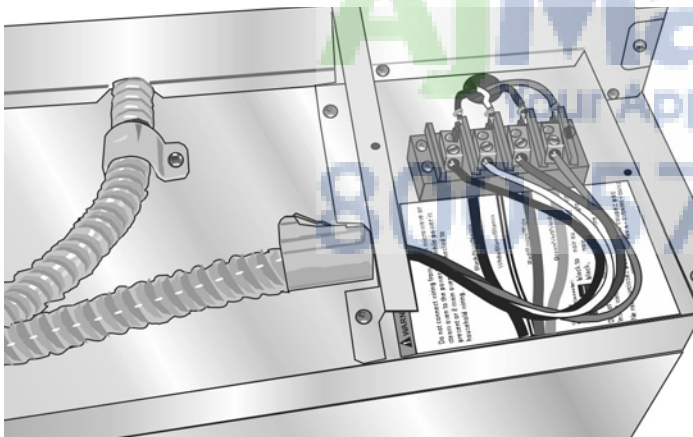
Connecting the Microwave Oven or Steam Oven Electrical Conduit to the Single Oven

Note: If installing the oven with a microwave or steam oven mounted as a combination unit, the microwave oven or steam oven power cable must be properly attached to the oven-mounted junction box. This must be done prior to supplying electric power to the oven unit.

⚠ WARNING

Disconnect the oven from the electric power supply before connecting the microwave oven or steam oven wiring. Failure to do so could result in electrical shock and injury or death.

- Check to be sure there is no electric power supplied to the oven.
- Remove the oven mounted junction box cover (located on the rear top of the oven).
- Remove the cap from the conduit access hole in the side of the oven mounted junction box.



- Guide the four wires from the conduit cable coming from the microwave or steam oven through the hole in the oven mounted junction box.
- Snap the conduit connector into the hole by pressing it in until it clicks into place.
- Follow the wiring diagram label and match and connect each wire by color to the wires attached to the wiring block inside the oven mounted junction box. Push the bare end of the wire until it is snug in the wiring block then tighten down the retaining screw on each wire. Tighten securely, but do not over tighten.
- Replace the oven mounted junction box cover and tighten the two screws holding it in place. Tighten the screws securely, but do not over tighten.

- Refer to the Electrical Connection section for further information to complete the electrical connection of the combination unit to the main power supply.

Electrical Installation

All model ovens on the front cover of this installation instruction manual are dual rated, designed to be connected to either 208 or 240V AC, 60 Hz, 4 wire, single-phase power supply.

Model	Circuit Required	
	208V, 60 Hz	240V, 60 Hz
HBN54, HBN84, HBL53, HBL54, HBL84, HBLP4	30 AMP	
HBL55	30 AMP	40 AMP
HBN56, HBL56, HBL57, HBN86, HBL86, HBL87, HBLP6, HBLP7, HSLP7	40 AMP	

The electrical supply should be a 4-wire single-phase AC. Install a suitable conduit box (not furnished). An appropriately-sized, UL-listed conduit connector must be used to correctly attach the conduit to the junction box.

Important: Local Codes may vary; installation, electrical connections and grounding must comply with all applicable local codes.

If local codes permit grounding through the electrical supply neutral, connect both the white neutral wire and the green ground wire from the oven to the white neutral electrical supply wire.

Important: If you have purchased a combination oven unit (one that includes a microwave or steam oven over the single oven), see the preceding section "Connecting the Microwave Oven or Steam Oven Electrical Conduit to the Single Oven" showing electrical connection of the combination unit components.

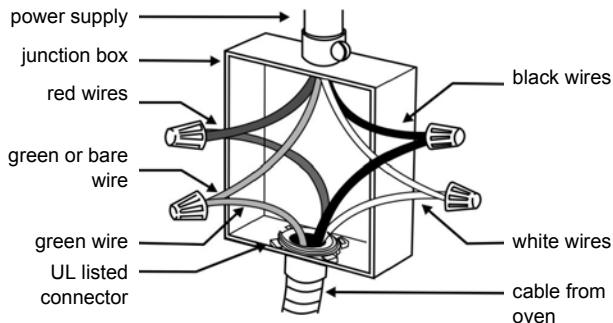
⚠ WARNING

Complete the connection of the microwave or steam oven conduit to the single oven before proceeding with the unit electrical connection to the main power supply.

Electrical Connection to Main Power Supply

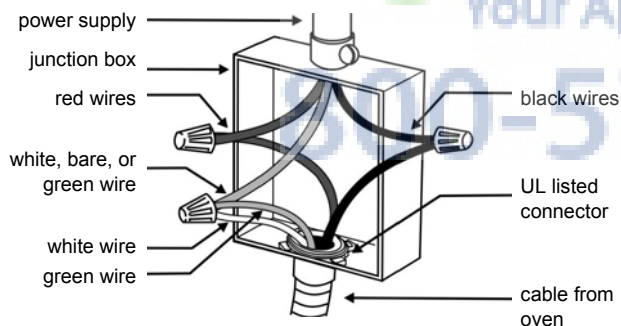
The four-wire connection is preferred, but where local codes permit, the three wire connection is also acceptable.

Four-wire Connection Ungrounded Neutral



- Connect the red oven wire to the red electrical supply wire (hot wire).
- Connect the black oven wire to the black electrical supply wire (hot wire).
- Connect the white neutral oven wire to the white neutral (not bare or green ground) electrical supply wire.
- Connect the green ground oven wire to the bare or green ground electrical supply wire.

Three-wire Connection Grounded Neutral



- Connect red wire from oven to red wire in junction box.
- Connect black wire from oven to black wire in junction box.
- Connect both green ground wire and white wire from oven to white, green or bare neutral wire in junction box.

The conduit cable, where connected at the oven, swivels. Rotate conduit cable upward (or downward) and direct through hole prepared in cabinet to attach to J-Box.

To maintain serviceability, the flex conduit must not be shortened and should be routed to permit temporary removal of the oven.

Installing the Oven Unit into the Wall Cabinet

Note:

Before installing the oven, be sure to verify the cabinet dimensions and electrical connections. Check that the cavity is level and plumb for correct installation.

Combination units (ovens with a microwave or steam oven) have additional installation instructions. Please see the preceding section "Pre-Assembly of Combination Ovens Prior to Installation".

For Best Installation

The double and combination ovens can be difficult for two people to handle during installation. It is recommended to have three or more people available to assist with lifting the unit into place. It is also recommended to remove the oven door (bottom hinge models only) to help reduce the unit weight and provide easier access to the handholds inside the oven cavity.

Removing the Bottom Hinge Oven Door

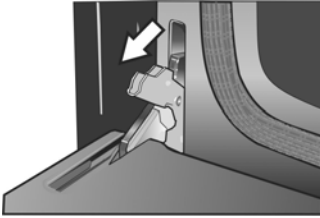

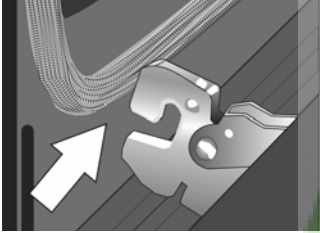
Important: Do not attempt to remove the side hinge door (some models).

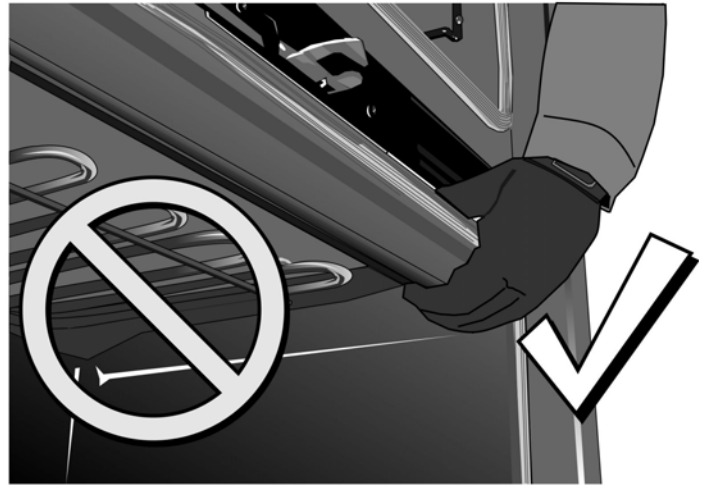
For ease of installation, some oven doors may be removed to reduce the weight of the oven by 30 lbs (14 kg) per door, before installing into the cabinet. See instructions below.

⚠ WARNING

- Make sure oven is cool and power to the oven has been turned off before removing the door. Failure to do so could result in burns.
- The oven door is heavy and fragile. Use both hands to remove the oven door. The door front is glass. Handle carefully to avoid breaking.
- Grasp only the sides of the oven door. Do not grasp the handle as it may swing in your hand and cause damage or injury.
- Failure to grasp the oven door firmly and properly could result in personal injury or product damage.
- To avoid injury from hinge bracket snapping closed, be sure that both levers are securely in place before removing the door. Also, do not force door open or closed - the hinge could be damaged and injury could result.
- Do not lay removed door on sharp or pointed objects as this could break the glass. Lay on a flat, smooth surface, positioned so that the door cannot fall over.

To remove the oven door:

	<ol style="list-style-type: none">1. Be sure to read the above WARNING before attempting to remove the door.2. Open the door completely.3. Flip levers on hinges toward you.
	<ol style="list-style-type: none">4. Holding the door firmly on both sides and using both hands, close the door gently until it stops against the levers, about 30° from the closed position.
	<ol style="list-style-type: none">5. Carefully lift the door up and out of the hinge slots. Hold firmly; the door is heavy.6. Place the door in a convenient and stable location until you are ready to reinstall it.



1. The unit and its bottom packaging (pallet) should be positioned close to and in front of the cabinet opening prior to beginning to lift the unit into place.



Placing the Oven Into the Cabinet Opening

⚠ CAUTION

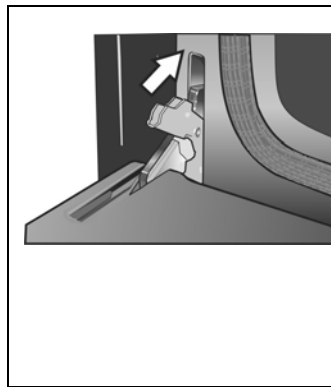
To avoid damage to the door do not lift, pull or push the unit during installation by using the oven door handle as a gripping point.

Note: It is recommended to wear gloves and long sleeves to protect hands and forearms from abrasion and potential scratches during the lifting process. It is also recommended to take off watches and jewelry and to wear work shoes during installation for foot protection.

When lifting the unit into place avoid grasping the upper element to avoid damaging it. See the illustration following for the correct lifting point.

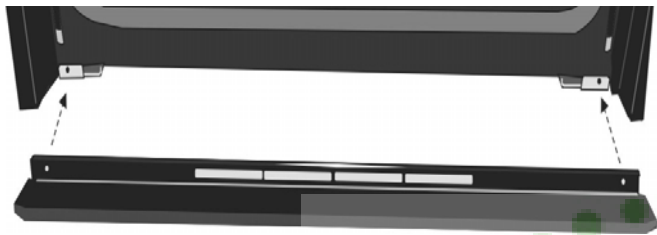
2. Lift or slide unit into the cabinet cutout without allowing the unit base to contact the flooring.
3. Check that the conduit cable does not fall behind the unit during installation. It may help to run the conduit into the area it will be connected to (such as an overhead or adjacent cabinet) and tape the end down so it doesn't fall out while the unit is being slid into place.

4. Guide the unit straight back into the cabinet cutout.
Note: Be careful not to crimp the flexible conduit between the oven and the cabinet back wall. If necessary, guide the flexible conduit into the wall or cabinet access hole so it doesn't prevent the unit from being pushed all the way into the cabinet opening. The oven should be straight and level, not crooked.
5. Install the oven bottom trim while the door is removed and the unit is in place. (Do not push the unit all the way in, leave about 1 inch extending from the front of the cabinet). Use two of the screws provided in the red bag included with the trim piece.



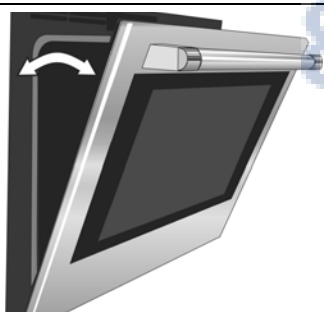
4. Open door all the way to expose hinges, levers, and slots.
5. Push levers forward and down until seated on the bracket.
6. Close and open door slowly to be sure it is correctly and securely in place. Door must be straight, not crooked.

1. Align holes in trim ends with holes at bottom of oven.
2. Insert screws and tighten firmly. Do not overtighten.

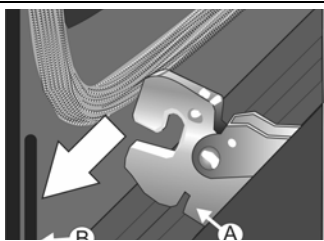


3. Push the unit straight in until the oven trim is flush with the front of the cabinet trim.
4. Install supplied screws through tap holes in trim. (2 screws for single ovens, 4 screws for double/combo ovens).

To replace the oven door:



1. Hold the door firmly in both hands.
2. Hold the door at a 30° angle from the closed position and insert hinges into the slots. You may need to rock the door forward and backward slightly to seat the hinge feet.



3. The door may need to be removed and re-inserted until the hinges sit correctly in the slots.


 Your Appliance Authority™
 800-570-3355

Testing Operation

1. Turn on power at the breaker.
2. Test the oven mode.
Select the **BAKE** mode. See the Use and Care Manual for detailed operation instructions.
3. Verify that the oven light comes on and the oven begins to preheat.
4. Test the door lock.
Set the **SELF CLEAN** mode. Confirm that the door locks when the lock icon appears in the display.
5. If installing a double oven, test the second oven as well.
6. If any of the tests do not result as explained above, contact Bosch service for assistance. Otherwise, the installation is complete at this time.

Service

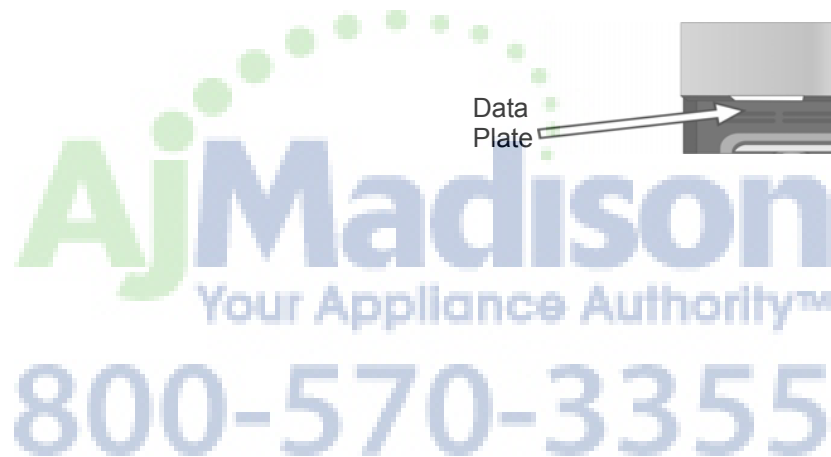
Before Calling Service

See Use and Care Manual for troubleshooting information. Refer to the Warranty in the Use and Care Manual.

To reach a service representative, see the contact information at the front of the manual. Please be prepared with the information printed on your product data plate when calling.

Data Plate

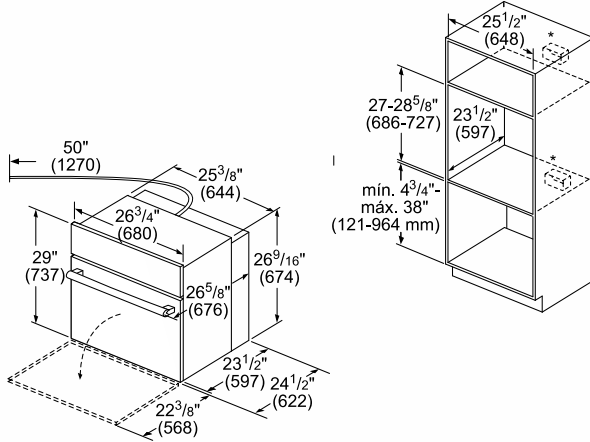
The data plate shows the model and serial number. Refer to the data plate on the appliance when requesting service. The data plate is located on the underside of the control panel.



Cabinet Dimension Requirements

Dimensions for 27" Wall-Mounted Units

Single Oven 27"

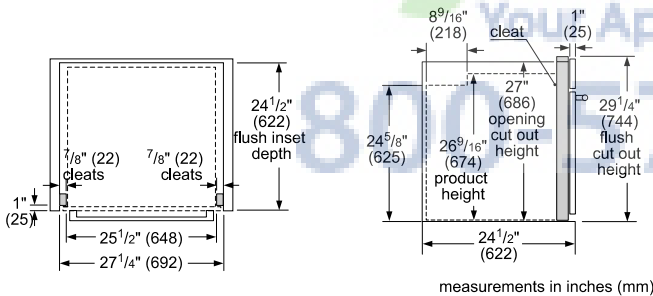


* For single ovens installed in a wall cabinet, the junction box may be located above or beneath the unit within reach of the power cable.

Flush installation requires two side cleats to be attached inside the cabinet frame, recessed from the front.

Flush Install Top View

Side View



measurements in inches (mm)

It is good practice, when oven is installed at the end of a cabinet run, adjacent to a perpendicular wall or cabinet door, to allow at least 1/4" space between the side of the oven and the wall/door.

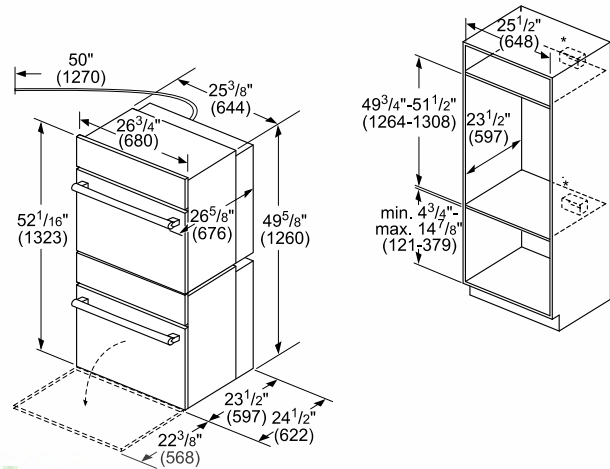
For oven support, install 2x4's extending front to back flush with the bottom and the side of the opening. The supporting base must be well secured to the floor/cabinet and level.

Note:

The conduit box can be installed above or to the right of the unit, within range of the power conduit.

The cabinet cavity must be plumb and the base must be flat and level and capable of supporting a weight of at least 193 lbs (87 kg).

Double Oven 27"

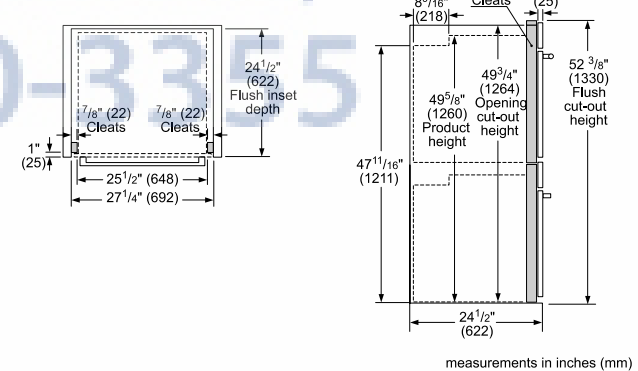


* For single ovens installed in a wall cabinet, the junction box may be located above or beneath the unit within reach of the power cable.

Flush installation requires two side cleats to be attached inside the cabinet frame, recessed from the front.

Flush installation Top view

Side view



measurements in inches (mm)

It is good practice, when oven is installed at the end of a cabinet run, adjacent to a perpendicular wall or cabinet door, to allow at least 1/4" space between the side of the oven and the wall/door.

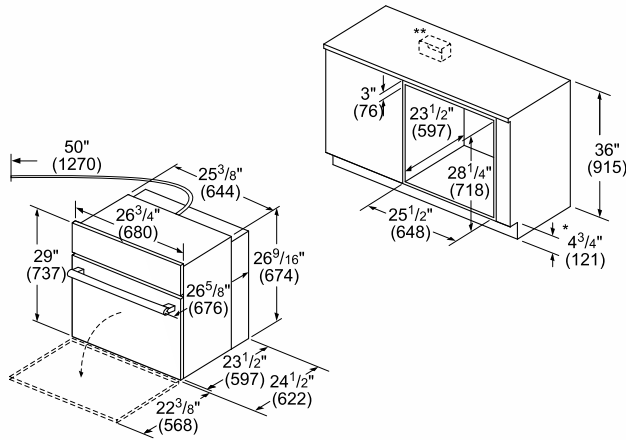
For oven support, install 2x4's extending front to back flush with the bottom and the side of the opening. The supporting base must be well secured to the floor/cabinet and level.

Note:

The conduit box must be located above the unit to facilitate connecting and servicing.

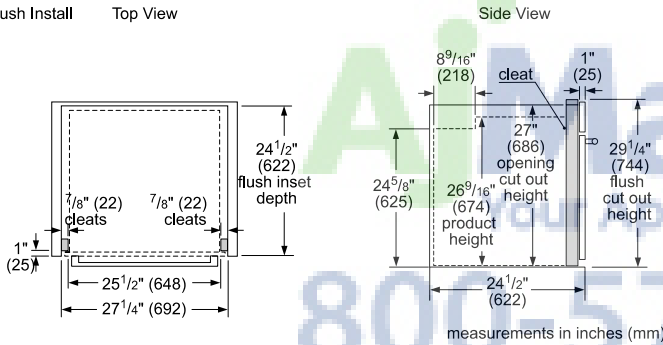
The cabinet cavity must be plumb and the base must be flat and level and capable of supporting a weight of at least 361 lbs (164 kg).

Single Oven, Undercounter 27"



Flush installation requires two side cleats to be attached inside the cabinet frame, recessed from the front.

Flush Install Top View



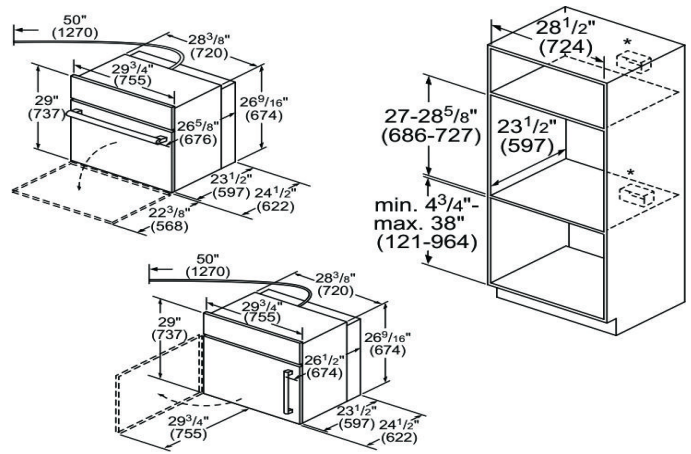
It is good practice, when oven is installed at the end of a cabinet run, adjacent to a perpendicular wall or cabinet door, to allow at least 1/4" space between the side of the oven and the wall/door.

For oven support, install 2x4's extending front to back flush with the bottom and the side of the opening. The supporting base must be well secured to the floor/cabinet and level.

The cabinet base must be flat and capable of supporting a weight of at least 193 lbs (87 kg).

Dimensions for 30" Wall-Mounted Units

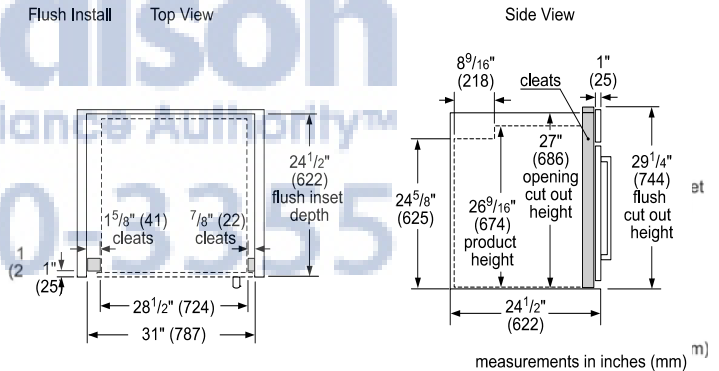
Single Oven 30"



* For single ovens installed in a wall cabinet, the junction box may be located above or beneath the unit within reach of the power cable.

Flush installation requires two side cleats to be attached inside the cabinet frame, recessed from the front.

Flush Install Top View



It is good practice, when oven is installed at the end of a cabinet run, adjacent to a perpendicular wall or cabinet door, to allow at least 1/4" space between the side of the oven and the wall/door.

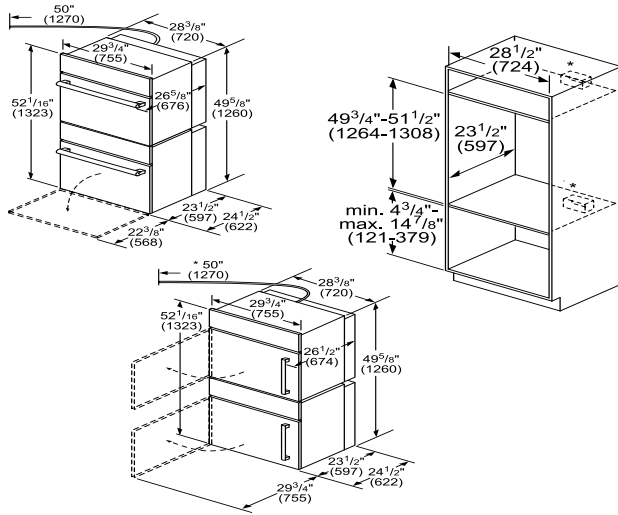
For oven support, install 2x4's extending front to back flush with the bottom and the side of the opening. The supporting base must be well secured to the floor/cabinet and level.

Note:

The conduit box must be installed either above or below the unit. If the conduit box is installed below the unit, a 2" diameter hole or space is required between the back wall and the right rear of the 2x4 supports.

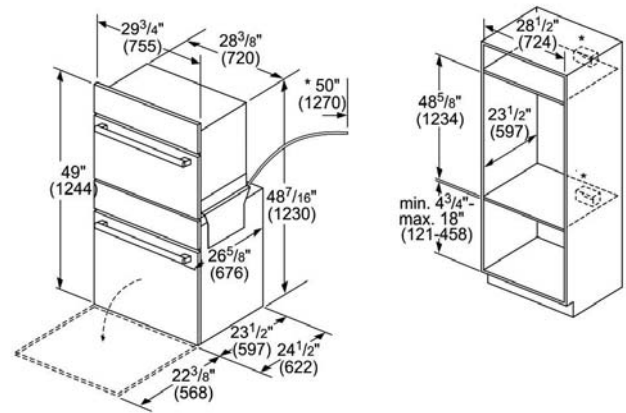
The cabinet cavity must be plumb and the base must be flat and level and capable of supporting a weight of at least 212 lbs (96 kg).

Double Oven 30"

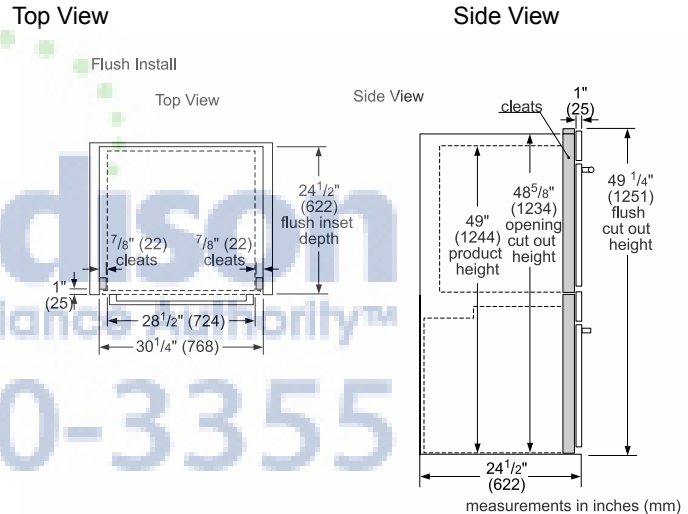
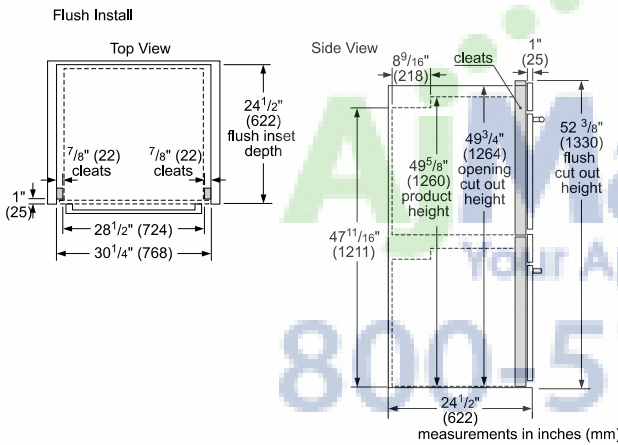


Flush installation requires two side cleats to be attached inside the cabinet frame, recessed from the front.

Combination Oven and Microwave 30"



Flush installation requires two side cleats to be attached inside the cabinet frame, recessed from the front.



It is good practice, when oven is installed at the end of a cabinet run, adjacent to a perpendicular wall or cabinet door, to allow at least 1/4" space between the side of the oven and the wall/door.

It is good practice, when oven is installed at the end of a cabinet run, adjacent to a perpendicular wall or cabinet door, to allow at least 1/4" space between the side of the oven and the wall/door.

For oven support, install 2x4's extending front to back flush with the bottom and the side of the opening. The supporting base must be well secured to the floor/cabinet and level.

For oven support, install 2x4's extending front to back flush with the bottom and the side of the opening. The supporting base must be well secured to the floor/cabinet and level.

Note:

The conduit box must be located above the unit to facilitate connecting and servicing.

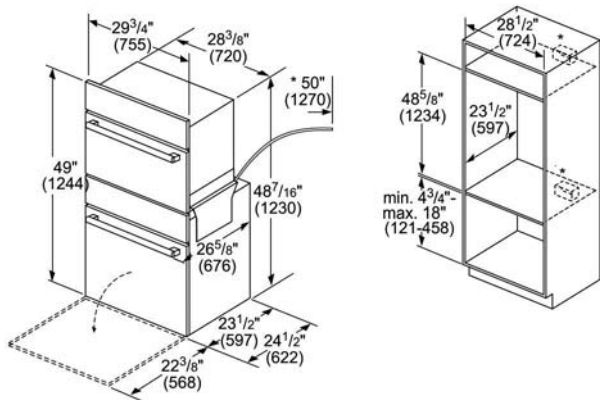
Note:

The conduit box must be located above the unit to facilitate connecting and servicing.

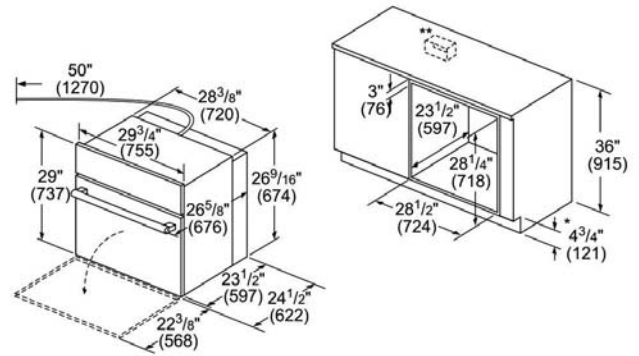
The cabinet cavity must be plumb and the base must be flat and level and capable of supporting a weight of at least 390 lbs (177 kg).

The cabinet cavity must be plumb and the base must be flat and level and capable of supporting a weight of at least 310 lbs (141 kg).

Combination Oven and Steam Oven 30"

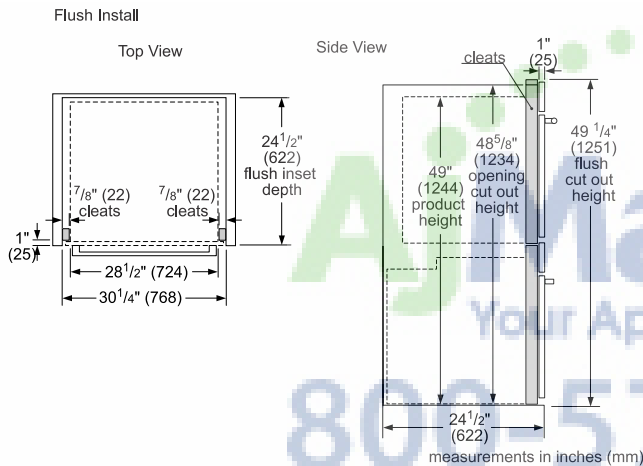


Single Oven, Undercounter 30"



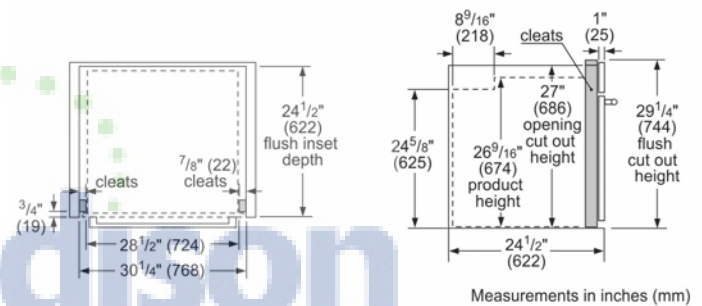
Flush installation requires two side cleats to be attached inside the cabinet frame, recessed from the front.

Flush installation requires two side cleats to be attached inside the cabinet frame, recessed from the front.



Top View

Side View



Measurements in inches (mm)

It is good practice, when oven is installed at the end of a cabinet run, adjacent to a perpendicular wall or cabinet door, to allow at least 1/4" space between the side of the oven and the wall/door.

It is good practice, when oven is installed at the end of a cabinet run, adjacent to a perpendicular wall or cabinet door, to allow at least 1/4" space between the side of the oven and the wall/door.

For oven support, install 2x4's extending front to back flush with the bottom and the side of the opening. The supporting base must be well secured to the floor/cabinet and level.

For oven support, install 2x4's extending front to back flush with the bottom and the side of the opening. The supporting base must be well secured to the floor/cabinet and level.

The cabinet cavity must be plumb and the base must be flat and level and capable of supporting a weight of at least 212 lbs (96 kg).

Note:

The conduit box must be located above the unit to facilitate connecting and servicing.

The cabinet cavity must be plumb and the base must be flat and level and capable of supporting a weight of at least 429 lbs (195 kg).





Table des matières

Sécurité	1
Avant de commencer	2
Outils et pièces nécessaires	2
Pièces comprises	2
Informations générales	2
Dimensions et exigences concernant les armoires	4
Retrait de l'emballage	4
Préparation du four	4
Installation	5
Déterminer le type d'installation	5
Pre-montage des fours combinés avant l'installation	5
Installation électrique	8
Installation du four dans l'armoire murale	10
Pour de meilleurs résultats d'installation ...	10
Démontage de la porte du four à charnières inférieures	11
Installation de la porte du four :	12
Procédure de mise à l'essai	13
Dépannage	13
Avant d'appeler le service de dépannage ...	13
Exigences concernant les dimensions des armoires	14
Dimensions pour les unités de 27 po (69 cm) montées au mur	14
Dimensions pour les unités de 30 po (76 cm) montées au mur	15

Cet appareil électroménager Bosch est fabriqué par
BSH Home Appliances Corporation
1901 Main Street, Suite 600
Irvine, CA 92614

Questions ?

1-800-944-2904

www.bosch-home.com

Il nous fait toujours plaisir de recevoir vos commentaires!

IMPORTANTES CONSIGNES DE SÉCURITÉ

LIRE ET CONSERVER CES CONSIGNES

Sécurité

AVERTISSEMENT :

Si les informations de ce manuel ne sont pas suivies à la lettre, un incendie ou un choc électrique peuvent se produire entraînant des dommages matériels ou des lésions corporelles.

AVERTISSEMENT :

Ne pas réparer ni remplacer des pièces de l'appareil à moins que cela ne soit expressément recommandé dans les manuels. Toute installation, réparation ou maintenance inadéquate peut entraîner des blessures ou des dommages matériels. Consulter ce manuel pour obtenir des conseils sur la façon de procéder. Tous les travaux d'entretien doivent être confiés à un technicien qualifié.

Sécurité de manipulation de l'appareil

Ne pas soulever l'appareil par la poignée de porte. Retirer la porte pour faciliter la manipulation et l'installation. Voir les consignes du Guide d'utilisation et d'entretien.

Cet appareil est lourd et il faut au moins deux personnes ou l'équipement approprié pour le déplacer.

Les surfaces cachées peuvent comporter des arêtes vives. Faites attention en tendant le bras derrière l'appareil ou en dessous.

Codes et normes de sécurité

Cet appareil est conforme à une ou plusieurs des normes de sécurité suivantes :

- UL 858, Norme pour la sécurité des cuisinières électriques domestiques
- UL 923, Norme pour la sécurité des appareils de cuisson à micro-ondes
- UL 507, Norme pour la sécurité des ventilateurs électriques
- CAN/CSA-C22.2 N°. 113-M1984, Norme pour la sécurité des ventilateurs et aérateurs

Il incombe au propriétaire et à l'installateur de déterminer si des exigences et/ou normes additionnelles s'appliquent pour des installations spécifiques.

Sécurité électrique

Avant de brancher le cordon électrique, vérifier que toutes les commandes sont dans la position « OFF » (Arrêt).

S'il y a lieu, conformément au Code national de l'électricité (ou au Code canadien de l'électricité), cet appareil doit être installé sur un circuit de dérivation séparé.

Installateur - Indiquer au propriétaire l'emplacement du coupe-circuit ou du fusible. Identifier sa position pour pouvoir le retrouver facilement.

Important - Conserver ces instructions pour l'usage de l'inspecteur local en électricité.

Avant l'installation, couper le courant au panneau de service. Verrouiller le panneau de service pour éviter que le courant ne soit accidentellement rétabli.

Pour de plus amples informations, consulter la plaque signalétique. Voir « Plaque signalétique » sous la rubrique « Dépannage » pour connaître l'emplacement de la plaque signalétique.

S'assurer que l'appareil est adéquatement installé et mis à la terre par un technicien qualifié. L'installation, les raccordements électriques et la mise à la terre doivent être conformes à tous les codes applicables.

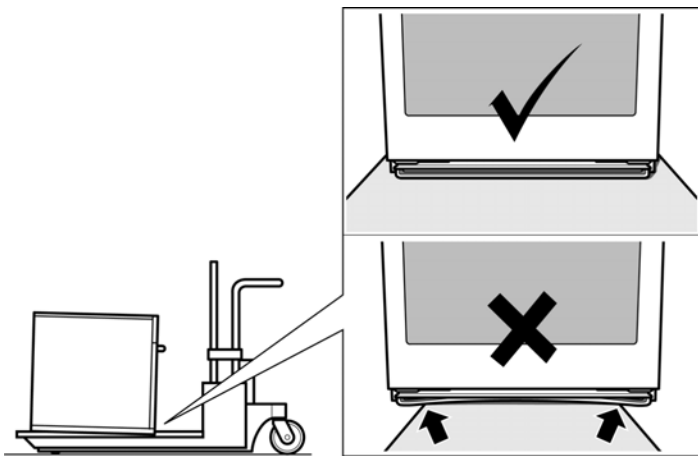
Sécurité relative à l'équipement connexe

Retirer le ruban adhésif et l'emballage avant d'utiliser l'appareil. Détruire l'emballage après avoir déballé l'appareil. Ne jamais laisser les enfants jouer avec des matériaux de conditionnement.

Ne jamais modifier ni altérer la configuration de l'appareil. Par exemple, ne pas enlever les pieds de mise à niveau, les panneaux, les couvre-fils ou les supports/vis antibasculement.

Transport

Pour éviter d'endommager l'évent du four, utiliser la méthode de transport illustrée ci-dessous.



Soutenir la partie inférieure du four d'un côté à l'autre en le déplaçant à l'endroit où il doit être installé. Laisser l'unité sur la palette de transport jusqu'à ce qu'elle se trouve devant la cavité, prêt à être soulevée pour être mise en place.

Préparation

Avant de commencer

Outils et pièces nécessaires

- Tournevis à tête Phillips
- Tournevis en étoile (T20)
- Ruban à mesurer
- Perceuse avec mèche (1/8 po)

Pièces comprises

- Vis cruciformes (6)

Informations générales

Alimentation

La prise doit être correctement mise à la terre conformément à tous les codes applicables.

Pour de meilleurs résultats d'installation

Le four peut être difficile à manipuler par deux personnes pendant l'installation. Il est recommandé de faire intervenir

trois personnes ou plus pour aider à soulever l'unité afin de la mettre en place.

Le démontage de la porte du four à charnières inférieures au cours de l'installation (pour fournir les prises nécessaires et réduire le poids de l'unité de manière significative) peut s'avérer pénible à moins de suivre à la lettre les instructions de démontage de la porte détaillées.

Remarque : Ne pas tenter de démonter la porte à charnières latérales (sur certains modèles).

Veillez prendre le temps de lire et de suivre les instructions fournies pour une meilleure expérience d'installation.

Liste de vérification

Utiliser cette liste de vérification pour vérifier que vous avez effectué chaque étape de la procédure d'installation. Ceci pour vous aider à éviter les erreurs courantes.

1. Avant d'installer le four, prendre bien soin de vérifier que les dimensions de l'armoire sont correctes pour votre unité et que les raccordements électriques requis sont effectués.
2. Consulter le Guide d'installation pour prendre connaissance des informations qu'il contient sur la sécurité, les dimensions des armoires, le retrait de l'emballage, l'installation électrique, les tests effectués sur l'installation et le service après-vente.
3. Démontez la ou les portes du four pour réduire le poids de l'unité et faciliter l'accès aux prises pour soulever celle-ci.
4. Déplacer l'unité de four pour la mettre devant l'ouverture de l'armoire, en laissant l'emballage de la partie inférieure de l'unité intact pour éviter d'endommager le revêtement de sol.
5. Dévisser les vis T20 qui maintiennent l'unité au fond du carton d'emballage (à l'aide d'un tournevis en étoile).
6. S'il s'agit de l'installation d'une unité combinée (four et micro-ondes ou four et four à vapeur), terminer l'assemblage avant d'installer l'unité.
7. Soulever l'unité à plusieurs pour la mettre en place dans la découpe de l'armoire. S'assurer que le conduit électrique atteint bien le point de raccordement.
8. Faire glisser l'unité complètement pour la mettre en place en veillant à acheminer correctement le conduit électrique.

- ___ 9. Fixer l'unité à l'ouverture de l'armoire à l'aide des vis fournies (à l'aide d'un tournevis cruciforme Phillips).
- ___ 10. Réinstaller la (les) porte(s) du four que vous avez démontées à l'étape 2 ci-dessus.
- ___ 11. Consulter les consignes d'installation dans leur intégralité et suivre le restant des procédures présentées, y compris la réalisation d'un test de fonctionnement.
- ___ 12. La documentation complète sur les produits et les accessoires (peuvent être emballés ou placés dans une boîte) sont livrés avec le four.
- ___ 13. INSTALLATEUR - Laisser le paquet de documentation et les accessoires à la disposition du client.

Dimensions et exigences concernant les armoires

Les exigences concernant les armoires varient selon le modèle à installer. Veuillez consulter la section « Exigences concernant les dimensions des armoires » au dos de ce manuel d'installation pour obtenir des détails portant sur votre modèle particulier.

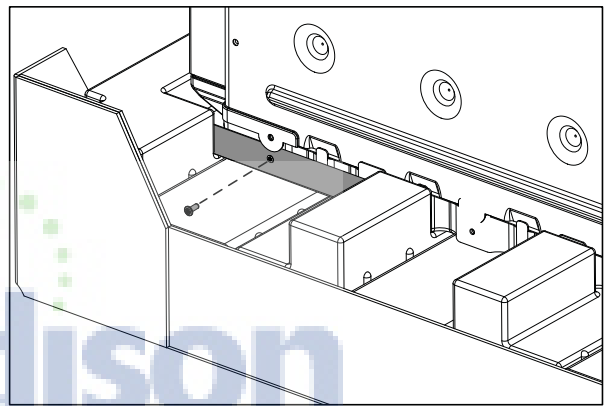
Tous les modèles nécessitent :

- 1/4 po (6,35 mm) d'espace entre le côté du four et un mur ou une porte d'armoire adjacents lorsque l'installation se fait au bout d'une série de placards.
- L'installation de planches de 2 po (5,08 cm) sur 4 po (10,16 cm) qui s'étendent d'avant en arrière et sont de niveau avec le fond et le côté de l'ouverture pour servir de support au four. Cette base de support doit être bien fixée au sol ou à l'armoire et doit être de niveau.
- La boîte de raccordement électrique doit être placée au-dessus de l'unité pour en faciliter le branchement et le dépannage.
- La base de l'armoire doit être plate et capable de supporter le poids de votre four lorsque celui-ci est en fonctionnement (ce poids peut varier selon le modèle pouvant aller jusqu'à 429 lb (195 kg)). Voir le poids approprié pour votre modèle dans la section « Exigences concernant les dimensions des armoires » au dos du Guide d'installation.

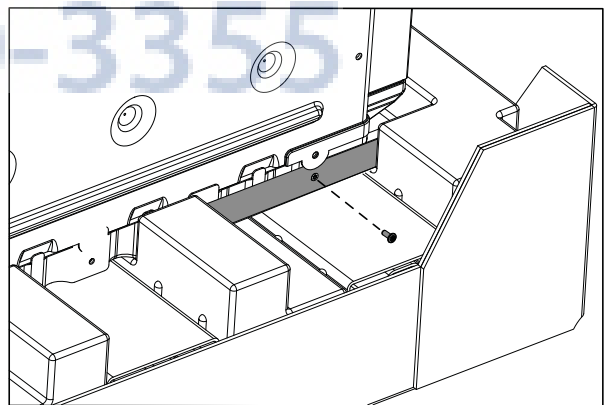
Retrait de l'emballage

- Couper les sangles à l'extérieur de la boîte.
- Retirer la boîte en carton.
- Retirer tous les panneaux de carton placés sur le dessus et les côtés ainsi que les attaches en mousse de polystyrène.
- Mettre le four devant les armoires où il doit être installé.
- Dévisser l'unité des brides gauche et droite comme indiqué à la section « Démontage des brides d'emballage gauche et droite ».

Démontage de la bride d'emballage gauche



Démontage de la bride d'emballage droite



Remarque :

Les matériaux d'emballage utilisés varient selon les modèles. Les brides réelles peuvent être d'apparence différente. Les brides restent sur la base de l'emballage. L'unité doit rester sur la base de l'emballage jusqu'à ce que vous soyez prêt à l'installer dans la découpe de l'armoire.

Préparation du four

Mettre le four devant les armoires où il doit être installé. Poser l'unité sur un support solide dans l'alignement de la découpe de l'armoire.

Installation

Déterminer le type d'installation

Ce guide d'installation fournit des instructions relatives à l'installation des fours simples, doubles et combinés (un four simple combiné avec un four à micro-ondes ou un four à vapeur).

Pièces fournies

Garniture de la sole du four (1)

Emballé dans une pochette en plastique, avec vis de fixation dans un sac rouge dans la douille.



Les fours autonomes simples et doubles ne nécessitent aucun pré-montage. À moins que vous n'installiez un four combiné, sautez les instructions de pré-montage du four combiné, et **reportez-vous directement à la section « Installation électrique » qui s'applique à tous les fours.**

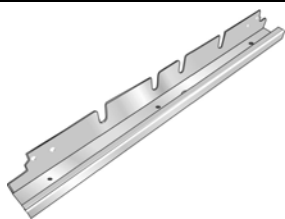
Pre-montage des fours combinés avant l'installation

Les fours combinés (avec four à micro-ondes ou four à vapeur) nécessitent l'assemblage des unités avant que l'unité combiné ne puisse être installée dans l'armoire murale.

Remarque : Le four simple peut être installé avec un four à vapeur ou avec un four à micro-ondes. La procédure d'installation diffère selon le type de four installé. Les pièces contenues dans le tube carré sont communes aux deux installations.

Pièces fournies

Support de raccordement universel (2)
(dans la boîte des pièces sur le four)



Vis (16)
(dans la poche rouge, à l'intérieur de la boîte des pièces sur le four)



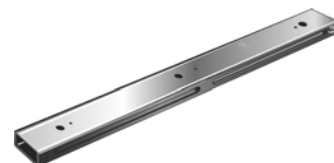
Élément décoratif (1)

Emballé dans du film à bulles, près du panneau de commande du four.



Glissière pour service mixte (2)*

* Cette pièce est pré-montée sur le four pour recevoir un four à micro-ondes.

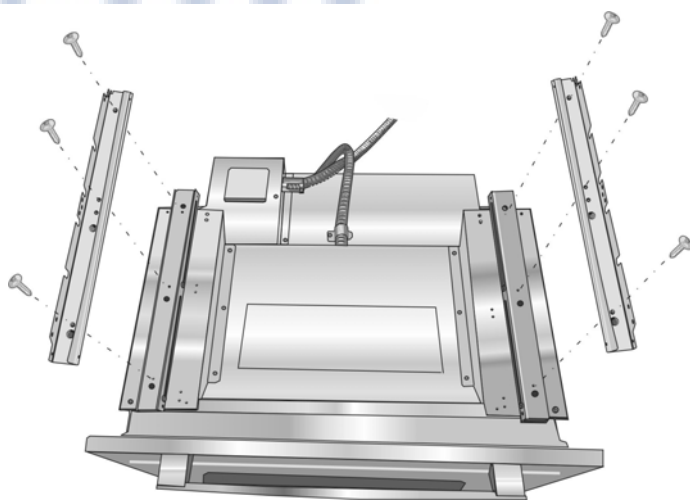


Installation avec four à micro-ondes

Remarque : Ne pas installer le four dans l'armoire murale avant d'avoir monté le four à micro-ondes dessus à l'aide des supports de raccordement universels.

1. Les glissières pour service mixte sont fixées sur le four et espacées de manière à recevoir le four à micro-ondes.
2. Installer les deux supports de connecteur universel à l'aide de six vis fournies. Serrer les vis à fond, mais ne pas trop serrer.

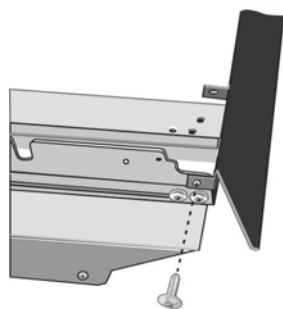
Remarque : Les supports de raccordement universels sont interchangeables pour les côtés gauche et droit du four. Veiller à ce que le bord vertical le plus grand du support soit tourné vers l'extérieur du four.



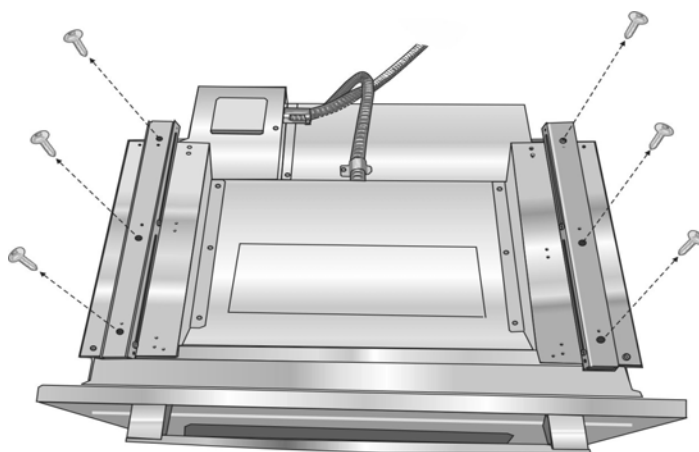
3. Installer l'élément décoratif.

Mettre l'élément décoratif en place de manière à ce que les rebords comportant les trous soient tournés du côté opposé à la porte du four.

Aligner les rebords extérieurs avec la partie extérieure des supports universels. Fixer à l'aide d'une vis insérée dans le trou final du support universel. Serrer les vis à fond, mais ne pas trop serrer.

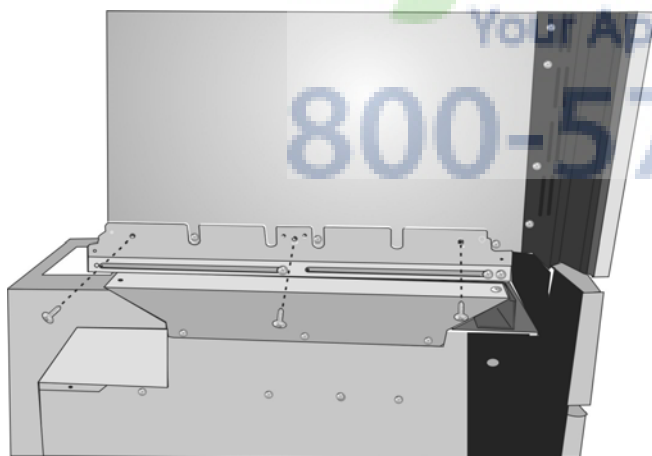


1. Enlever les six vis qui maintiennent les ensembles de glissière pour service mixte au support de fixation. Utiliser un embout de tournevis magnétique pour atteindre les vis à travers les grands trous pratiqués sur le dessus des glissières.

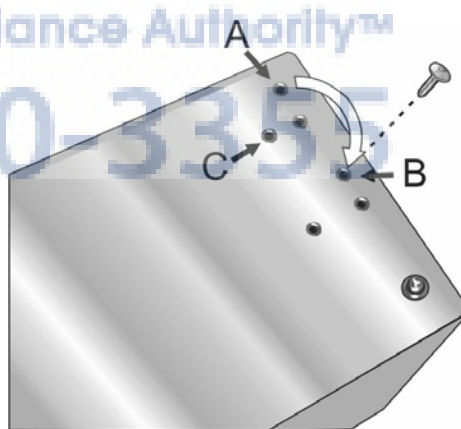


4. Installer le four à micro-ondes sur les supports de raccordement universels et le mettre en place à l'aide de trois vis pour chaque côté. Serrer les vis à fond, mais ne pas trop serrer.

Remarque : Les vis existantes dans la base du four à micro-ondes facilitent l'alignement. Au moment d'abaisser le four à micro-ondes pour le mettre en place sur le support de raccordement universel, laisser les têtes des vis glisser dans les encoches comme illustré ci-dessous. La vis la plus proche de la face avant du four à micro-ondes glisse dans la base de la partie inclinée à l'avant du support.



2. La vis en position A (le plus près du bord intérieur, près du panneau de commande) doit être déplacée pour permettre au support universel d'être placé à cet endroit. Retirer la vis intérieure (A) du support de fixation gauche et la réintroduire dans le troisième trou (B) depuis le bord intérieur du support de fixation. Répéter cette opération pour le support de fixation droit.



5. Continuer l'installation de l'unité comme indiqué dans les sections suivantes relatives au raccordement électrique et à l'installation du four dans l'armoire murale.

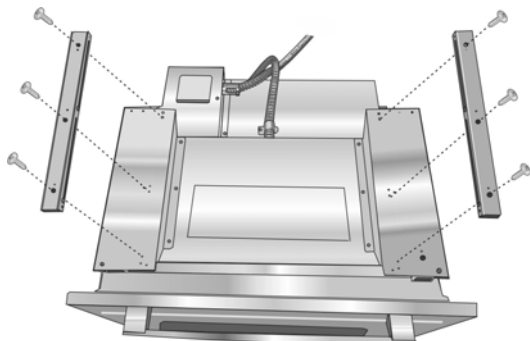
3. Fixer à nouveau les ensembles de glissière à l'aide des trous près du bord intérieur du support de fixation. Aligner l'ensemble de glissière parallèlement au bord du support et introduire la première vis dans le trou (C).

Installation avec four à vapeur

Remarque : Ne pas installer le four dans l'armoire murale avant d'avoir monté le four à vapeur dessus à l'aide des supports de raccordement universels.

Pré-montage du four combiné

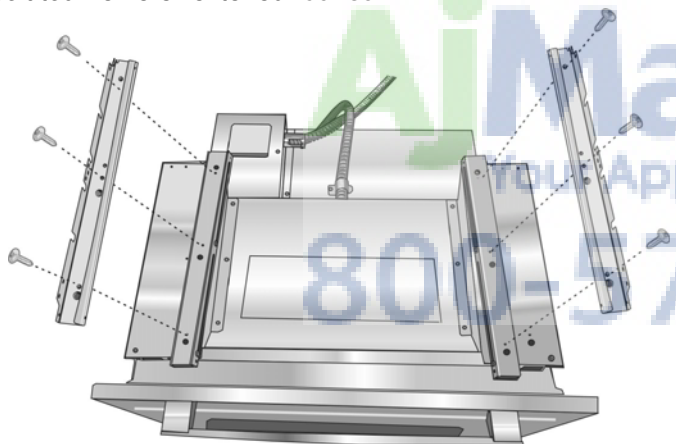
Introduire les trois vis pour chaque ensemble de glissière. Serrer les vis à fond, mais ne pas trop serrer.



Remarque : Lorsque les trous appropriés sont utilisés, la partie avant de la glissière dépassera le bord de la barre de support horizontale. La glissière sera à environ 1/8 po (3 mm) de distance du bord intérieur du support de fixation.

4. Monter les deux supports de connecteur universel sur la glissière à l'aide des vis fournies. Serrer les vis à fond, mais ne pas trop serrer.

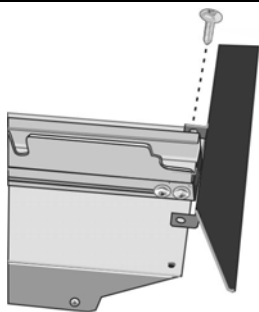
Remarque : Les supports de raccordement universels sont interchangeables pour les côtés gauche et droit du four. Veiller à ce que le bord vertical le plus grand du support soit tourné vers l'extérieur du four.



5. Installer l'élément décoratif.

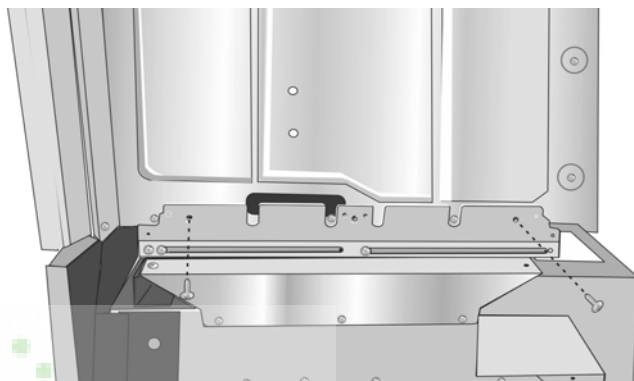
Mettre l'élément décoratif en place de manière à ce que les rebords comportant les trous soient tournés du côté opposé à la porte du four.

Aligner les rebords intérieurs avec la partie intérieure des supports universels. Fixer à l'aide d'une vis insérée dans le trou final du support universel. Serrer les vis à fond, mais ne pas trop serrer.



6. Installer le four à vapeur sur les supports de raccordement universels et le mettre en place à l'aide de deux vis pour chaque côté. Serrer les vis à fond, mais ne pas trop serrer.

Remarque : Les vis existantes dans la base du four à vapeur facilitent l'alignement. Au moment d'abaisser le four à vapeur pour le mettre en place sur le support de raccordement universel, laisser les têtes des vis glisser dans les encoches comme illustré ci-dessous. La vis la plus proche de la face avant du four à vapeur glisse dans la base de la partie inclinée à l'avant du support.



7. Continuer l'installation de l'unité comme indiqué dans les sections suivantes relatives au raccordement électrique et à l'installation du four dans l'armoire murale.

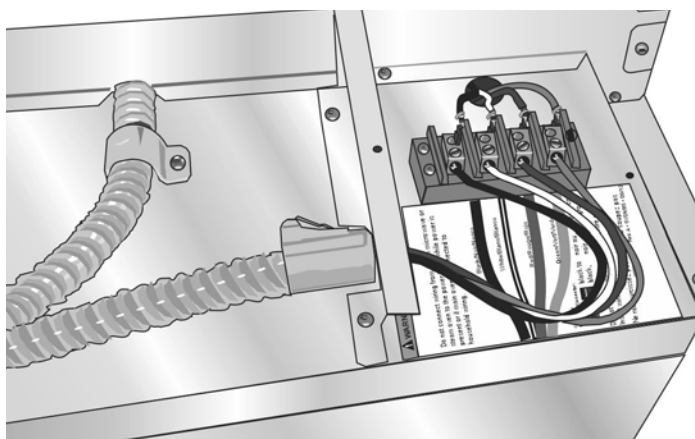
Raccordement du conduit électrique du four à micro-ondes ou du four à vapeur au four simple

Remarque : Si vous installez le four avec un four à micro-ondes ou avec un four à vapeur comme unité combinée, le câble du four à micro-ondes ou du four à vapeur doit être branché de manière adéquate au boîtier de jonction montée sur le four. Ceci doit être fait avant de fournir l'alimentation électrique au four.

⚠ AVERTISSEMENT

Débrancher l'alimentation électrique du four avant de brancher le four à micro-ondes ou le four à vapeur. Le non-respect de cette précaution peut entraîner un choc électrique et des blessures, voire la mort.

1. Vérifier que l'alimentation électrique du four a bien été coupée.
2. Enlever la boîte de jonction montée sur le four (elle se trouve sur la partie supérieure du four, à l'arrière).
3. Enlever le couvercle de l'orifice d'accès au conduit sur le côté de la boîte de jonction montée sur le four.



4. Guider les quatre fils du câble de conduit venant du four à micro-ondes ou du four à vapeur à travers le trou de la boîte de jonction montée sur le four.
5. Encastrer le raccord de conduit dans le trou en enfonçant jusqu'à ce qu'il se mette en place avec un déclic.
6. Suivre les indications de l'étiquette du schéma de câblage et faire correspondre et brancher chaque fil selon sa couleur aux fils reliés à la borne à l'intérieur de la boîte de jonction montée sur le four. Pousser la partie dénudée des fils jusqu'à ce que ces derniers soient bien encastrés dans la borne, puis serrer la vis de retenue sur chacun d'entre eux. Serrer les vis à fond, mais ne pas trop serrer.
7. Remettre en place le couvercle de la boîte de jonction montée sur le four et serrer les deux vis qui la maintiennent en place. Serrer les vis à fond, mais ne pas trop serrer.
8. Consulter la section « Raccordement électrique » pour obtenir de plus amples informations sur la manière de terminer le raccordement électrique du four combiné à l'alimentation principale.

Installation électrique

Tous les modèles de four mentionnés sur la couverture avant de la présente notice d'installation sont à double intensité et désignés pour le branchement sur un réseau électrique monophasé à 4 fils de 208 ou 240 V c.a., 60 Hz.

Modèle	Circuit requis	
	208 V, 60 Hz	240 V, 60 Hz
HBN54, HBN84, HBL53, HBL54, HBL84, HBLP4	30 A	
HBL55	30 A	40 A
HBN56, HBL56, HBL57, HBN86, HBL86, HBL87, HBLP6, HBLP7, HSLP7	40 A	

L'alimentation électrique doit être un courant alternatif monophasé à 4 fils. Installer une boîte de raccordement appropriée (non fournie). Un raccord de conduit listé UL doit être utilisé pour fixer correctement le conduit à la boîte de jonction.

Important : Les codes locaux peuvent varier ; l'installation, les raccordements électriques et la mise à la terre doivent être conformes à tous les codes locaux applicables.

Si les codes locaux autorisent la mise à la terre par un fil électrique neutre, brancher à la fois le fil neutre blanc et le fil de terre vert venant du four au fil d'alimentation électrique neutre blanc.

Important : Si vous avez acheté un four combiné (avec un four à micro-ondes ou un four à vapeur placé au-dessus du four simple), voir la section précédente « Branchement du conduit électrique du four à micro-ondes ou du four à vapeur au four simple » traitant du raccordement électrique des composants du four combiné.

▲ AVERTISSEMENT

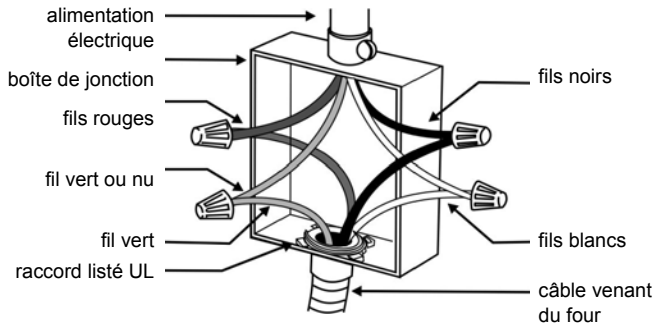
Réaliser le raccordement du conduit du four à micro-ondes ou du four à vapeur au four simple avant de passer au raccordement électrique de l'unité à l'alimentation principale.

Raccordement électrique à l'alimentation principale

Le raccordement à quatre fils est privilégié, mais là où les codes locaux l'autorisent, un raccordement à trois fils est acceptable.

Raccordement à quatre fils

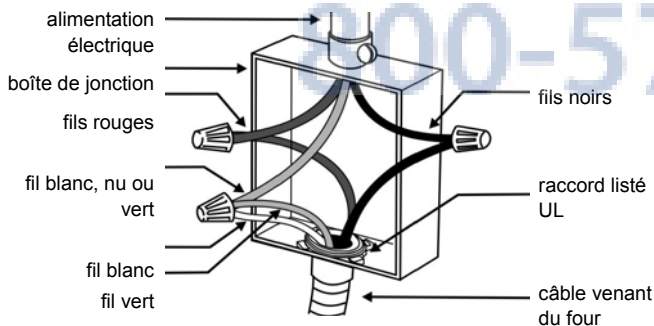
Neutre non mis à la terre



- Raccorder le fil rouge du four au fil d'alimentation électrique rouge (fil chargé).
- Raccorder le fil noir du four au fil d'alimentation électrique noir (fil chargé).
- Raccorder le fil neutre blanc du four au fil d'alimentation électrique neutre blanc (pas au fil de terre nu ou vert).
- Raccorder le fil de terre vert du four au fil de terre nu ou vert de l'alimentation électrique.

Raccordement à trois fils

Neutre mis à la terre



- Raccorder le fil rouge venant du four au fil rouge dans la boîte de jonction.
- Raccorder le fil noir venant du four au fil noir dans la boîte de jonction.
- Raccorder les deux fils de terre verts et le fil blanc du four au fil blanc, vert ou nu dans la boîte de jonction.

Le câble de conduit, au niveau du four, pivote. Faire pivoter le câble de conduit vers le haut (ou vers le bas) et faire passer celui-ci à travers le trou préparé dans l'armoire pour fixer la boîte de jonction.

Pour garder une facilité d'entretien, le conduit flexible ne doit pas être raccourci et doit être acheminé de manière à faciliter le déplacement provisoire du four.

Installation du four dans l'armoire murale

Remarque :

Avant d'installer le four, prendre soin de vérifier les dimensions de l'armoire ainsi que les raccordements électriques. Vérifier que la cavité est de niveau et utiliser un fil à plomb pour assurer une installation correcte.

Les unités combinées (four équipés d'un four à micro-ondes ou d'un four à vapeur) sont livrées avec des consignes d'installation supplémentaires. Veuillez consulter la section précédente « Pré-montage des fours combinés avant l'installation ».

Pour de meilleurs résultats d'installation

Les fours doubles et combinés peuvent être difficiles à manipuler par deux personnes pendant l'installation. Il est recommandé de faire intervenir trois personnes ou plus pour aider à soulever l'unité afin de la mettre en place. Il est également recommandé de démonter la porte du four (modèles à charnières inférieures uniquement) pour aider à réduire le poids de l'unité et faciliter l'accès aux prises à l'intérieur de la cavité du four.

Démontage de la porte du four à charnières inférieures

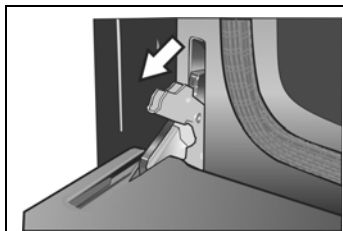
Important : Ne pas tenter de démonter la porte à charnières latérales (sur certains modèles).

Pour faciliter l'installation, certaines portes de four peuvent être démontées pour réduire le poids du four de 30 livres (14 kg) pour chaque porte, avant d'installer le four dans l'armoire. Voir les instructions ci-dessous.

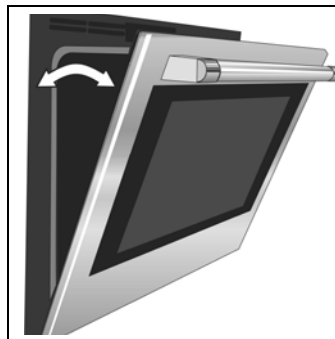
▲ AVERTISSEMENT

- Avant de démonter la porte, s'assurer que le four est froid et que le courant qui l'alimente a été coupé. Le non-respect de cette précaution peut entraîner des brûlures.
- La porte du four est lourde et fragile. Utiliser les deux mains pour l'enlever. Le devant de la porte est en verre. Manipuler avec précautions pour éviter les cassures.
- Saisir uniquement les côtés de la porte. Ne pas saisir la poignée, car elle peut pivoter dans la main et causer des dommages ou des blessures.
- Si la porte du four n'est pas saisie fermement et correctement, il y a un risque de lésion corporelle ou de dommage au produit.
- Pour éviter toute blessure causée par l'enclenchement soudain du support de charnière, s'assurer que les deux leviers sont bien enclenchés avant d'enlever la porte. En outre, ne pas forcer la porte pour l'ouvrir ou la fermer car la charnière risque de s'abîmer et vous pourriez vous blesser.
- Après avoir démonté la porte, ne pas la poser sur des objets tranchants ou pointus car ceux-ci risquent de briser le verre. Poser la porte sur une surface plane et lisse, de manière à ce qu'elle ne puisse pas se renverser.

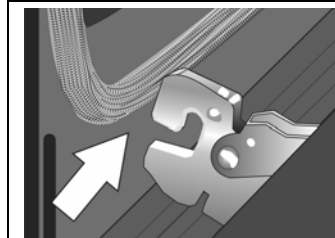
Procédure de démontage de la porte du four :



1. Veiller à lire l'AVERTISSEMENT ci-dessus avant de tenter de démonter la porte.
2. Ouvrir la porte complètement.
3. Basculer les leviers des charnières vers soi.



4. En maintenant fermement la porte des deux côtés avec les deux mains, fermez délicatement la porte jusqu'à ce qu'elle vienne buter contre les leviers, à environ 30° de la position de fermeture.



5. Soulever soigneusement la porte pour la sortir des fentes des charnières. Maintenir fermement ; la porte est lourde.
6. Mettre la porte à un endroit facilement accessible et stable jusqu'à ce que vous soyez prêt(e) à la réinstaller.

Mise en place du four dans l'ouverture de l'armoire

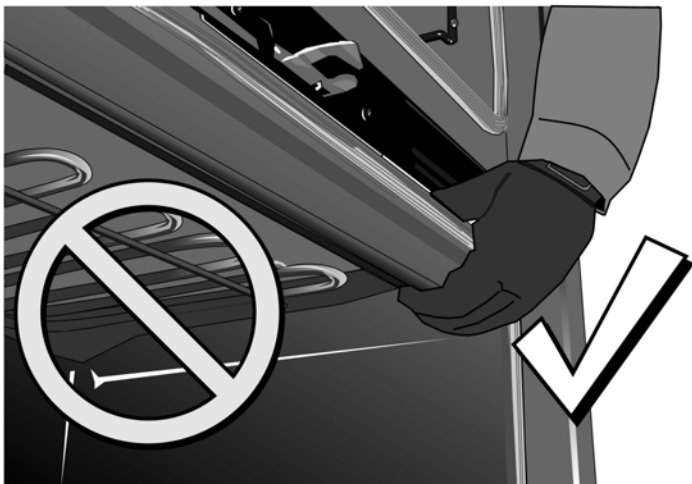
▲ MISE EN GARDE

Pour éviter d'endommager la porte, ne pas soulever, tirer ni pousser l'unité au cours de l'installation en utilisant la poignée de la porte du four comme point de prise.

Remarque :

Il est recommandé de porter des gants et des manches longues pour protéger les mains et les avant-bras contre les écorchures et les éraflures possibles en soulevant l'unité. Il est également recommandé d'enlever montres et bijoux et de porter des chaussures de travail pendant l'installation pour se protéger les pieds.

En soulevant l'unité pour la mettre en place, éviter de saisir l'élément supérieur pour éviter de l'abîmer. Voir l'illustration suivante pour connaître le point de levage correct.



1. L'unité et l'emballage inférieur (palette) doivent être placés près de l'ouverture de l'armoire et devant celle-ci avant de commencer à soulever l'unité pour la mettre en place.



2. Soulever ou faire glisser l'unité dans l'ouverture de l'armoire en empêchant le socle d'entrer en contact avec le sol.
3. Vérifier que le câble de conduit ne tombe pas derrière l'unité pendant l'installation. Pour faciliter la manœuvre, faire courir le conduit à l'endroit où il sera raccordé (telle qu'une armoire suspendue ou adjacente) et fixer l'extrémité du conduit avec du ruban adhésif afin qu'il

ne tombe pas pendant l'opération d'encastrement de l'unité dans l'armoire.

4. Guider l'unité directement vers l'arrière dans l'ouverture de l'armoire.

Remarque : Faire attention à ne pas pincer le conduit flexible entre le four et la paroi arrière de l'armoire. Si nécessaire, guider le conduit flexible dans le trou d'accès de la paroi ou de l'armoire en veillant à ce qu'il ne face pas obstacle à l'encastrement complet de l'unité à l'intérieur de l'armoire. Le four doit être droit et de niveau, et ne doit pas être de travers.

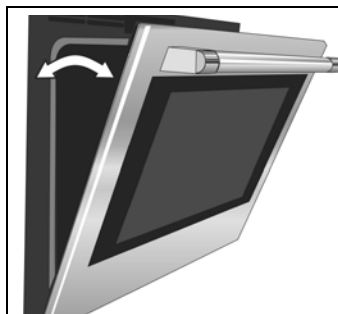
5. Installer la garniture de la sole du four alors que la porte est démontée et que l'unité est en place. (Ne pas enfoncer complètement l'unité, laisser environ 1 pouce (2,54 cm) dépasser du devant de l'armoire). Utiliser deux des vis fournies qui se trouvent dans le sachet rouge inclus avec la pièce de garniture..

1. Aligner les trous des extrémités de la garniture avec les trous de la sole du four.
2. Poser les vis et serrer fermement. Ne pas trop serrer.

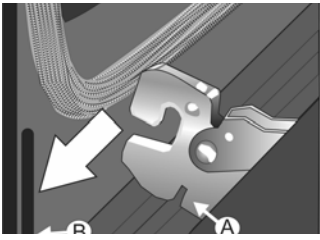
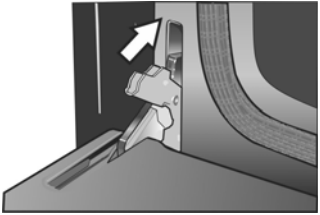


3. Pousser l'unité tout droit jusqu'à ce que la garniture du four soit de niveau avec la garniture de l'armoire.
4. Installer les vis fournies dans les trous taraudés de la garniture. (2 vis pour les fours simples, 4 pour les vis doubles/combinés).

Installation de la porte du four :



1. Maintenir la porte fermement des deux mains.
2. Maintenir la porte à un angle de 30° de la position fermée et insérer les charnières dans les fentes. Vous devrez peut-être secouer légèrement la porte d'avant en arrière pour placer le pied de la charnière.

	<p>3. Il faudra peut-être démonter et remonter la porte jusqu'à ce que les charnières soient complètement engagées dans les fentes.</p>
	<p>4. Ouvrir la porte toute grande pour exposer les charnières, les leviers et les fentes.</p> <p>5. Enfoncer les leviers vers l'avant et vers le bas jusqu'à ce qu'ils soient engagés sur l'attache.</p> <p>6. Fermer et ouvrir la porte lentement pour s'assurer qu'elle est correctement et solidement installée. Elle doit être droite et non de travers.</p>

Procédure de mise à l'essai

1. Remettre en service l'alimentation électrique au niveau du disjoncteur.
2. Faire un essai sur un mode du four.
Sélectionner le mode **CUISSON**. Voir le Guide l'utilisation et d'entretien pour des consignes d'exploitation détaillées.
3. Vérifier que l'éclairage du four s'allume et que le four commence à préchauffer.
4. Tester le verrou de la porte.
Régler le mode **NETTOYAGE AUTO**. Confirmer que la porte est verrouillée lorsque l'icône représentant un verrou apparaît sur l'affichage.
5. Dans le cas d'une installation d'un four double, faire également un essai sur le deuxième four.
6. Si l'un des tests ne donne pas les résultats escomptés, comme indiqué ci-dessus, contacter le service de dépannage de Bosch pour obtenir de l'aide. Autrement, l'installation est maintenant terminée.

Dépannage

Avant d'appeler le service de dépannage

Voir le Guide d'utilisation et d'entretien pour obtenir des informations concernant le dépannage. Consulter la garantie dans le Guide d'utilisation et d'entretien.

Pour contacter un technicien de dépannage, voir les coordonnées sur la couverture avant du manuel. Lorsque vous téléphonez, soyez prêt à fournir les informations imprimées sur la plaque signalétique de votre produit.

Plaque signalétique

La plaque signalétique comporte le numéro de modèle et le numéro de série. Se reporter à la plaque signalétique de l'appareil électroménager pour faire une demande de dépannage. La plaque signalétique se trouve sur la partie inférieure du tableau de commande :

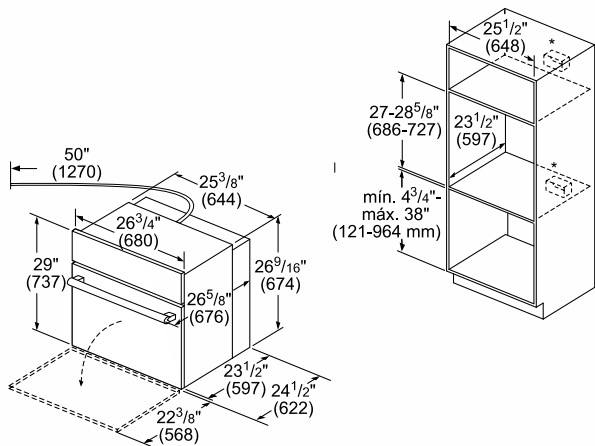


Plaque signalétique

Exigences concernant les dimensions des armoires

Dimensions pour les unités de 27 po (69 cm) montées au mur

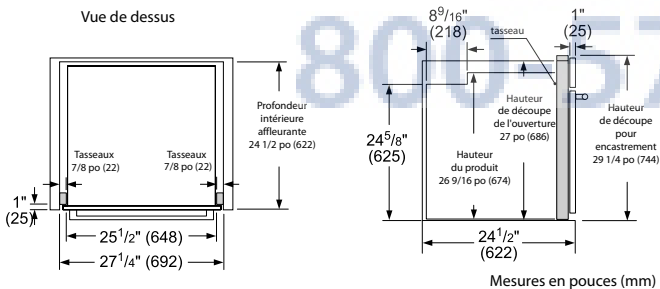
Four simple de 27 po (69 cm)



- * Pour les fours simples installés dans une armoire murale, la boîte de jonction doit se trouver au-dessus ou au-dessous de l'unité, à proximité du câble d'alimentation.

Les installations encastrées nécessitent deux tasseaux latéraux posés à l'intérieur du cadre de l'armoire, en retrait de la face avant.

Installation en affleurement



Vue latérale

Mesures en pouces (mm)

Lors de l'installation du four à l'extrémité d'une série d'armoires, en position adjacente par rapport à un mur ou à une porte d'armoire perpendiculaire, il est bon de laisser un espace d'au moins 1/4 de pouce (6,35 mm) entre le côté du four et le mur ou la porte.

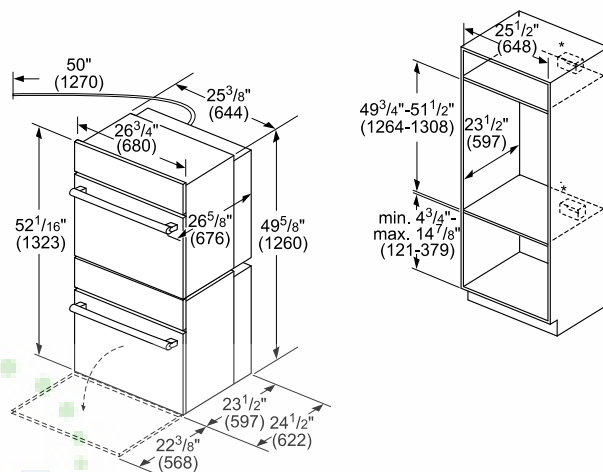
L'installation de planches de 2 po (5,08 cm) sur 4 po (10,16 cm) qui s'étendent d'avant en arrière et sont de niveau avec le fond et le côté de l'ouverture pour servir de support au four. Cette base de support doit être bien fixée au sol ou à l'armoire et doit être de niveau.

Remarque :

La boîte de raccordement peut être installée au-dessus ou à droite de l'unité, à distance du conduit d'alimentation.

La cavité de l'armoire doit être d'aplomb et la base doit être à plat et de niveau et capable de supporter un poids d'au moins 193 lb (87,5 kg).

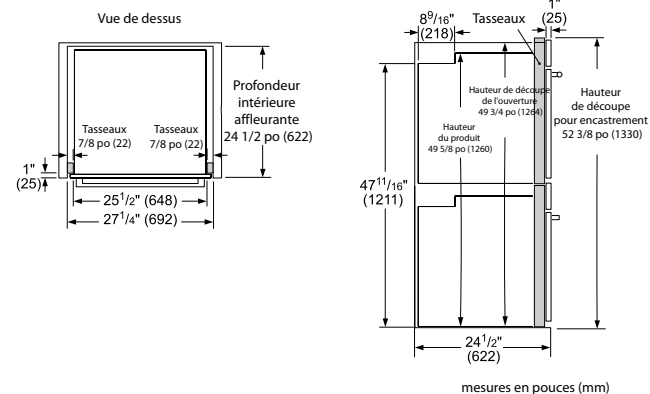
Four double de 27 po (69 cm)



- * Pour les fours simples installés dans une armoire murale, la boîte de jonction doit se trouver au-dessus ou au-dessous de l'unité, à proximité du câble d'alimentation.

Les installations encastrées nécessitent deux tasseaux latéraux posés à l'intérieur du cadre de l'armoire, en retrait de la face avant.

Installation en affleurement



Vue de dessus

Vue latérale

mesures en pouces (mm)

Lors de l'installation du four à l'extrémité d'une série d'armoires, en position adjacente par rapport à un mur ou à une porte d'armoire perpendiculaire, il est bon de laisser un espace d'au moins 1/4 de pouce (6,35 mm) entre le côté du four et le mur ou la porte.

Installer des planches de 2 po (5,08 cm) sur 4 po (10,16 cm) qui s'étendent d'avant en arrière et sont de niveau

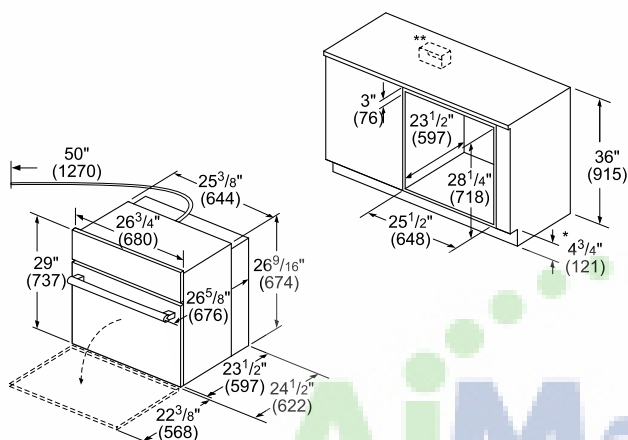
avec le fond et le côté de l'ouverture pour servir de support au four. Cette base de support doit être bien fixée au sol ou à l'armoire et doit être de niveau.

Remarque :

La boîte de raccordement doit être placée au-dessus de l'unité pour en faciliter le branchement et le dépannage.

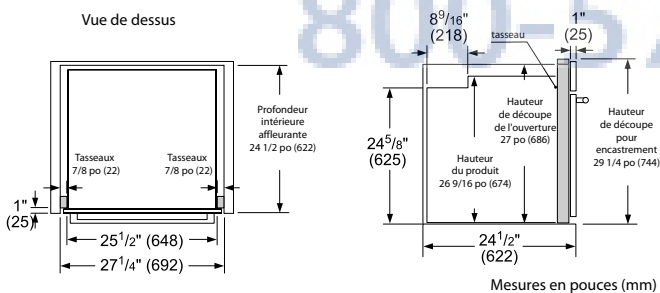
La cavité de l'armoire doit être d'aplomb et la base doit être à plat et de niveau et capable de supporter un poids d'au moins 361 lb (164 kg).

Four simple de 27 po (69 cm), sous le plan de travail



Les installations encastrées nécessitent deux tasseaux latéraux posés à l'intérieur du cadre de l'armoire, en retrait de la face avant.

Installation en affleurement



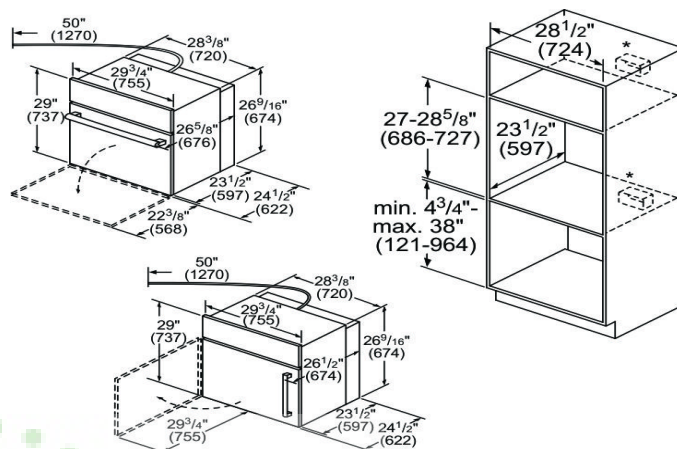
Lors de l'installation du four à l'extrémité d'une série d'armoires, en position adjacente par rapport à un mur ou à une porte d'armoire perpendiculaire, il est bon de laisser un espace d'au moins 1/4 de pouce (6,35 mm) entre le côté du four et le mur ou la porte.

Installer des planches de 2 po (5,08 cm) sur 4 po (10,16 cm) qui s'étendent d'avant en arrière et sont de niveau avec le fond et le côté de l'ouverture pour servir de support au four. Cette base de support doit être bien fixée au sol ou à l'armoire et doit être de niveau.

La cavité de l'armoire doit être d'aplomb et la base doit être à plat et de niveau et capable de supporter un poids d'au moins 193 lb (87,5 kg).

Dimensions pour les unités de 30 po (76 cm) montées au mur

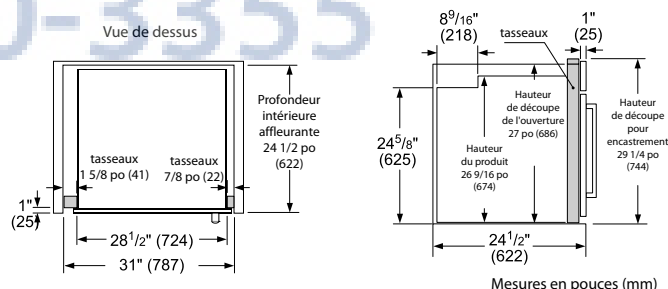
Four simple de 30 po (76 cm)



* Pour les fours simples installés dans une armoire murale, la boîte de jonction doit se trouver au-dessus ou au-dessous de l'unité, à proximité du câble d'alimentation.

Les installations encastrées nécessitent deux tasseaux latéraux posés à l'intérieur du cadre de l'armoire, en retrait de la face avant.

Installation en affleurement



Lors de l'installation du four à l'extrémité d'une série d'armoires, en position adjacente par rapport à un mur ou à une porte d'armoire perpendiculaire, il est bon de laisser un espace d'au moins 1/4 de pouce (6,35 mm) entre le côté du four et le mur ou la porte.

Installer des planches de 2 po (5,08 cm) sur 4 po (10,16 cm) qui s'étendent d'avant en arrière et sont de niveau avec le fond et le côté de l'ouverture pour servir de support au four. Cette base de support doit être bien fixée au sol ou à l'armoire et doit être de niveau.

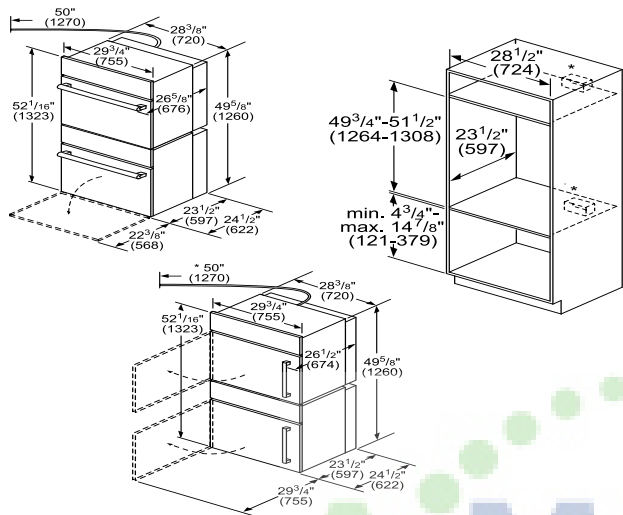
Remarque :

La boîte de raccordement doit être installée soit au-dessus soit au-dessous de l'unité. Si la boîte de raccordement est installée sous l'unité, un orifice ou espace de 2 po (5,08

cm) de diamètre est nécessaire entre la paroi arrière et la partie arrière droite des supports de 2 po (5,08 cm) sur 4 po (10,16 cm).

La cavité de l'armoire doit être d'aplomb et la base doit être à plat et de niveau et capable de supporter un poids d'au moins 212 lb (96 kg).

Four double de 30 po (76 cm)



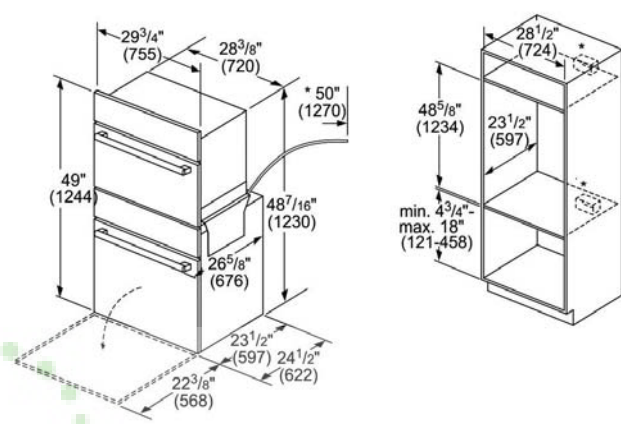
Les installations encastrées nécessitent deux tasseaux latéraux posés à l'intérieur du cadre de l'armoire, en retrait de la face avant.

Remarque :

La boîte de raccordement doit être placée au-dessus de l'unité pour en faciliter le branchement et le dépannage.

La cavité de l'armoire doit être d'aplomb et la base doit être à plat et de niveau et capable de supporter un poids d'au moins 390 lb (177 kg).

Four combiné et four à micro-ondes de 30 po (76 cm)



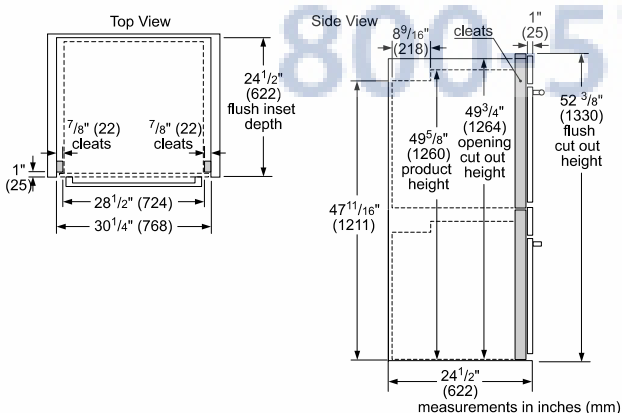
Les installations encastrées nécessitent deux tasseaux latéraux posés à l'intérieur du cadre de l'armoire, en retrait de la face avant.

Vue de dessus

Vue latérale

Installation en affleurement

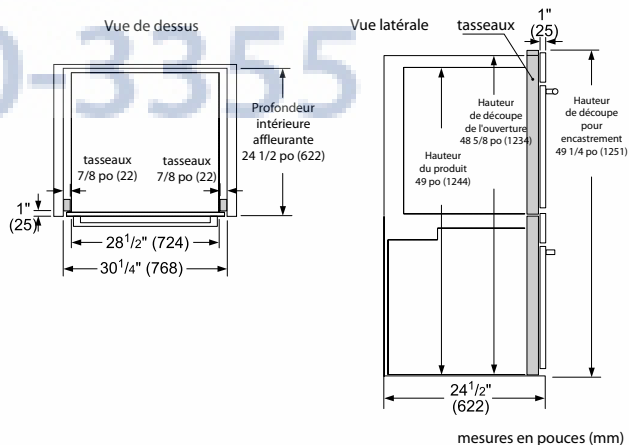
Flush Install



measurements in inches (mm)

Lors de l'installation du four à l'extrémité d'une série d'armoires, en position adjacente par rapport à un mur ou à une porte d'armoire perpendiculaire, il est bon de laisser un espace d'au moins 1/4 de pouce (6,35 mm) entre le côté du four et le mur ou la porte.

Installer des planches de 2 po (5,08 cm) sur 4 po (10,16 cm) qui s'étendent d'avant en arrière et sont de niveau avec le fond et le côté de l'ouverture pour servir de support au four. Cette base de support doit être bien fixée au sol ou à l'armoire et doit être de niveau.



mesures en pouces (mm)

Lors de l'installation du four à l'extrémité d'une série d'armoires, en position adjacente par rapport à un mur ou à une porte d'armoire perpendiculaire, il est bon de laisser un espace d'au moins 1/4 de pouce (6,35 mm) entre le côté du four et le mur ou la porte.

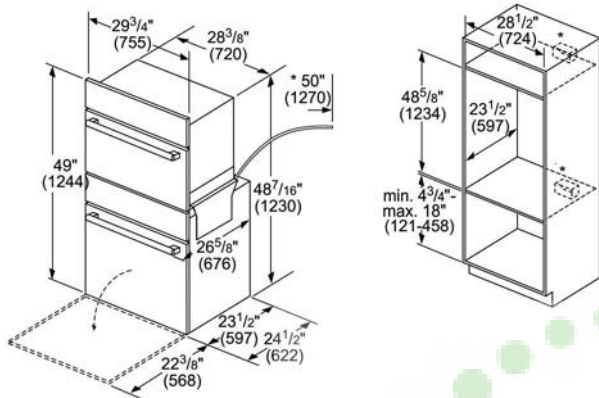
Installer des planches de 2 po (5,08 cm) sur 4 po (10,16 cm) qui s'étendent d'avant en arrière et sont de niveau avec le fond et le côté de l'ouverture pour servir de support au four. Cette base de support doit être bien fixée au sol ou à l'armoire et doit être de niveau.

Remarque :

La boîte de raccordement doit être placée au-dessus de l'unité pour en faciliter le branchement et le dépannage.

La cavité de l'armoire doit être d'aplomb et la base doit être à plat et de niveau et capable de supporter un poids d'au moins 310 lb (141 kg).

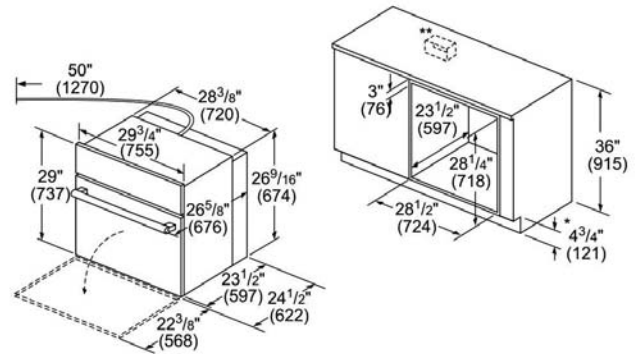
Four combiné et four à vapeur de 30 po (76 cm)



La boîte de raccordement doit être placée au-dessus de l'unité pour en faciliter le branchement et le dépannage.

La cavité de l'armoire doit être d'aplomb et la base doit être à plat et de niveau et capable de supporter un poids d'au moins 429 lb (195 kg).

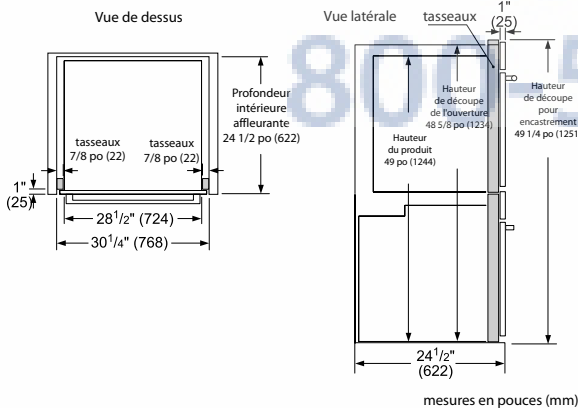
Four simple de 30 po (76 cm), sous le plan de travail



Les installations encastrées nécessitent deux tasseaux latéraux posés à l'intérieur du cadre de l'armoire, en retrait de la face avant.

Les installations encastrées nécessitent deux tasseaux latéraux posés à l'intérieur du cadre de l'armoire, en retrait de la face avant.

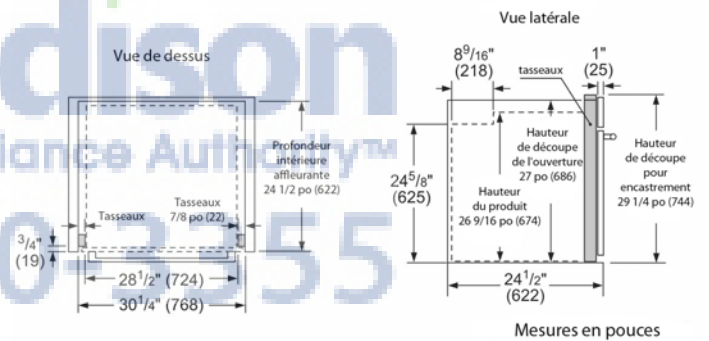
Installation en affleurement



Lors de l'installation du four à l'extrémité d'une série d'armoires, en position adjacente par rapport à un mur ou à une porte d'armoire perpendiculaire, il est bon de laisser un espace d'au moins 1/4 de pouce (6,35 mm) entre le côté du four et le mur ou la porte.

Installer des planches de 2 po (5,08 cm) sur 4 po (10,16 cm) qui s'étendent d'avant en arrière et sont de niveau avec le fond et le côté de l'ouverture pour servir de support au four. Cette base de support doit être bien fixée au sol ou à l'armoire et doit être de niveau.

Remarque :



Lors de l'installation du four à l'extrémité d'une série d'armoires, en position adjacente par rapport à un mur ou à une porte d'armoire perpendiculaire, il est bon de laisser un espace d'au moins 1/4 de pouce (6,35 mm) entre le côté du four et le mur ou la porte.

Installer des planches de 2 po (5,08 cm) sur 4 po (10,16 cm) qui s'étendent d'avant en arrière et sont de niveau avec le fond et le côté de l'ouverture pour servir de support au four. Cette base de support doit être bien fixée au sol ou à l'armoire et doit être de niveau.

La cavité de l'armoire doit être d'aplomb et la base doit être à plat et de niveau et capable de supporter un poids d'au moins 212 lb (96 kg).

Índice

Seguridad	1
Antes de comenzar	2
Herramientas y partes necesarias	2
Partes incluidas	2
Información general	2
Dimensiones y requisitos de los gabinetes	4
Retiro del embalaje	4
Preparación del horno	4
Instalación	5
Determinación del tipo de instalación	5
Preensamblaje de hornos combinados antes de la instalación	5
Instalación eléctrica	8
Instalación del horno en el gabinete de pared	10
Para una mejor instalación	10
Retiro de la puerta del horno de las bisagras inferiores	10
Para volver a colocar la puerta del horno: ..	12
Prueba de funcionamiento	13
Servicio técnico	13
Antes de llamar al servicio técnico	13
Requisitos de dimensiones de los gabinetes	14
Dimensiones para unidades montadas en la pared de 27 pulg.	14
Dimensiones para unidades montadas en la pared de 30 pulg.	15

Este electrodoméstico de Bosch es fabricado por
BSH Home Appliances Corporation
1901 Main Street, Suite 600
Irvine, CA 92614

¿Tiene preguntas?

1-800-944-2904

www.bosch-home.com

¡Esperamos recibir sus comentarios!

INSTRUCCIONES DE SEGURIDAD IMPORTANTES

LEA Y CONSERVE ESTAS INSTRUCCIONES

Seguridad

ADVERTENCIA:

Si no sigue exactamente la información de este manual, se pueden producir un incendio o una explosión que pueden causar daños materiales o lesiones personales.

ADVERTENCIA:

No repare ni reemplace ninguna parte del electrodoméstico, a menos que se recomiende específicamente en los manuales. La instalación, el servicio técnico o el mantenimiento incorrectos pueden causar lesiones o daños materiales. Consulte este manual para su orientación. Todo servicio técnico debe ser realizado por un técnico calificado.

Seguridad con el manejo del electrodoméstico

No levante el electrodoméstico desde el mango de la puerta. Retire la puerta para que sean más fáciles la manipulación y la instalación. Consulte las instrucciones que figuran en el Manual de uso y cuidado.

La unidad es pesada y se requieren al menos dos personas o un equipo adecuado para trasladarla.

Las superficies ocultas pueden tener bordes filosos. Proceda con cuidado al intentar tomar el electrodoméstico por la parte trasera o desde abajo.

Códigos y normas de seguridad

Este electrodoméstico cumple con una o más de las siguientes normas:

- UL 858, Estufas eléctricas de uso doméstico (Household Electric Ranges)
- UL 923, Electrodomésticos de cocción por microondas (Microwave Cooking Appliances)
- UL 507, Norma de seguridad para ventiladores eléctricos (Standard for the Safety of Electric Fans)
- CAN/CSA-C22.2 No. 113-M1984 Ventiladores (Fans and Ventilators)

Es responsabilidad del propietario y del instalador determinar si se aplican otros requisitos y/o normas en instalaciones específicas.

Seguridad con la electricidad

Antes de enchufar un cable eléctrico, asegúrese de que todos los controles estén en la posición OFF (Apagado).

Si lo requiere el Código Nacional Eléctrico (National Electrical Code), este electrodoméstico debe instalarse en un circuito derivado por separado.

Instalador: muestre al propietario la ubicación del disyuntor o del fusible. Márquela para identificarla más fácilmente.

Importante: conserve estas instrucciones para uso del inspector de electricidad local.

Antes de realizar la instalación, apague la alimentación eléctrica en el panel de servicio. Trabe el panel de servicio para impedir que se encienda accidentalmente la alimentación eléctrica.

Consulte la placa de datos para obtener más información. Consulte "Placa de datos" en la sección "Servicio técnico" para conocer la ubicación de la placa de datos.

Asegúrese de que el electrodoméstico sea correctamente instalado y conectado a tierra por un técnico calificado. La instalación, las conexiones eléctricas y la conexión a tierra deben cumplir con todos los códigos correspondientes.

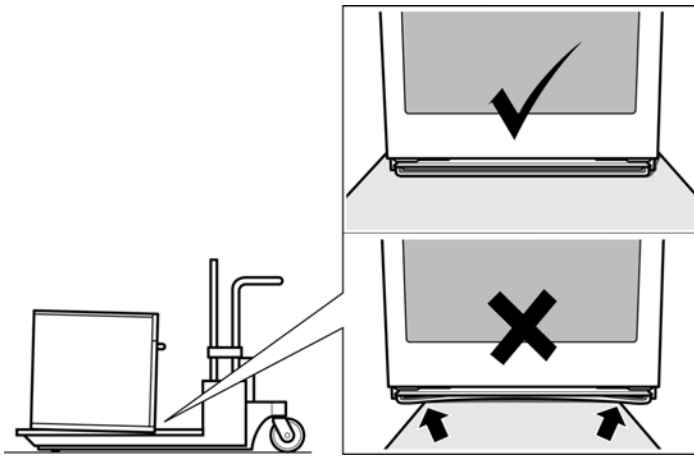
Seguridad del equipo relacionado

Retire toda la cinta y el embalaje antes de usar el electrodoméstico. Destruya el embalaje después de desembalar el electrodoméstico. Nunca deje que los niños jueguen con el material de embalaje.

Nunca modifique ni altere la construcción del electrodoméstico. Por ejemplo, no retire las patas niveladoras, los paneles, las cubiertas de cables ni los soportes/tornillos anticaídas.

Transporte

Para evitar daños al ventilador del horno, utilice el método de transporte que se muestra en la imagen que figura a continuación.



Sostenga la parte inferior del horno de ambos lados al moverlo a la ubicación de instalación. Deje la unidad atada a la paleta de envío hasta que se encuentre en frente de la cavidad del horno, lista para levantarla y colocarla en su lugar.

Preparación

Antes de comenzar

Herramientas y partes necesarias

- Destornillador con cabeza Phillips
- Destornillador con cabeza de estrella (T20)
- Cinta métrica
- Taladro con broca (1/8 pulg.)

Partes incluidas

- Tornillos con cabeza Phillips (6)

Información general

Requisitos de alimentación eléctrica

La toma de corriente debe estar correctamente conectada a tierra de acuerdo con todos los códigos correspondientes.

Para una mejor instalación

La manipulación del horno durante la instalación puede resultar difícil si la realizan dos personas. Se recomienda que haya tres o más personas disponibles para ayudar a levantar la unidad y colocarla en su lugar.

Retirar la puerta del horno de las bisagras inferiores durante la instalación (para colocar los asideros necesarios y para reducir el peso de la unidad en forma significativa) puede presentar dificultades, a menos que se sigan con cuidado las instrucciones detalladas para retirar la puerta.

Nota: No intente retirar la puerta de las bisagras laterales (algunos modelos).

Tómese su tiempo para leer y seguir las instrucciones proporcionadas para una mejor experiencia de instalación.

Lista de verificación

Utilice esta lista de verificación para controlar que haya completado cada paso del proceso de instalación. Esto puede ayudarlo a evitar errores comunes.

1. Antes de instalar el horno, asegúrese de controlar que las dimensiones del gabinete sean adecuadas para su unidad y que se hayan realizado las conexiones eléctricas requeridas.
2. Consulte el manual de instalación para obtener información sobre Seguridad, Dimensiones del gabinete, Cómo retirar el embalaje, Instalación eléctrica, Cómo probar la instalación y Servicio al cliente.
3. Retire la(s) puerta(s) del horno para reducir el peso de la unidad y para facilitar el acceso a los asideros a fin de levantarla.
4. Mueva el horno y colóquelo en su lugar delante de la abertura del gabinete, y deje la parte inferior del embalaje en la unidad para evitar dañar el piso.
5. Retire los tornillos T20 que mantienen la unidad sobre la base del cartón (usando un destornillador con cabeza de estrella).
6. Si se realiza la instalación de un horno combinado (horno y microondas, u horno y horno de vapor), complete el ensamblaje antes de instalar la unidad.
7. Levante la unidad con la ayuda de otra persona y colóquela directamente en el recorte del gabinete y tenga cuidado de no apretarse los dedos ni raspase las manos o los brazos. Asegúrese de que el conducto eléctrico llegue al punto de conexión en forma apropiada.

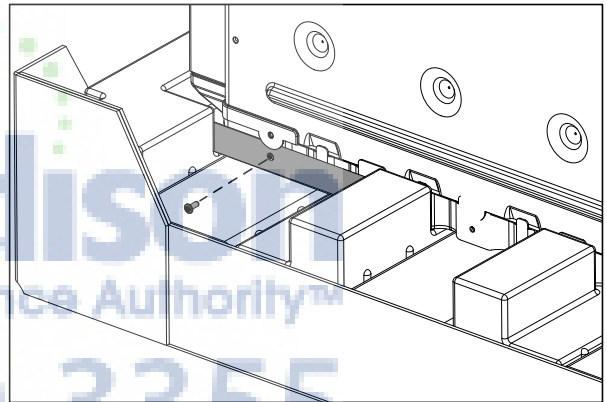
- ___ 8. Deslice la unidad completamente hasta su lugar, asegurándose de direccionar el conducto eléctrico en forma correcta.
- ___ 9. Ajuste el horno a la abertura de los gabinetes con los tornillos que se suministran (usando el destornillador Phillips).
- ___ 10. Reinstale la(s) puerta(s) del horno que retiró en el paso 2 anterior.
- ___ 11. Consulte las instrucciones de instalación completas y siga el resto de los procedimientos mencionados, incluida la realización de una prueba de funcionamiento.
- ___ 12. Todo el material impreso y los accesorios del producto (pueden estar envueltos o en una caja) que pueden venir con el horno.
- ___ 13. **INSTALADOR:** Deje al cliente el paquete de material impreso y los accesorios.

dimensiones de los gabinetes” en la parte posterior de este manual de instalación.

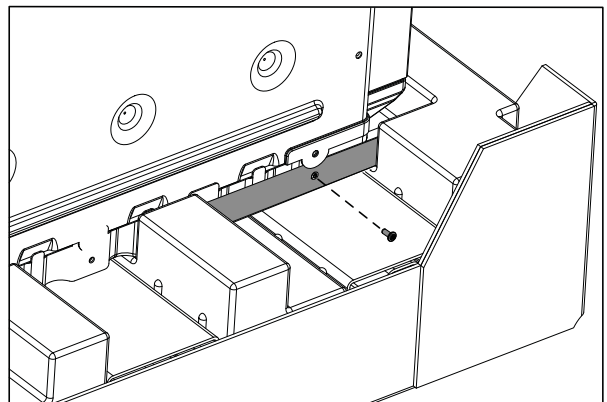
Retiro del embalaje

- Corte las correas que se encuentran en la parte exterior de la caja.
- Retire la caja de cartón.
- Retire todas las protecciones de cartón y de Styrofoam de la parte superior y lateral.
- Coloque el horno frente a los gabinetes donde se va a instalar.
- Desatornille la unidad de los soportes izquierdo y derecho, como se muestra en “Retiro de protecciones izquierda y derecha del embalaje”.

Retiro del soporte izquierdo del embalaje



Retiro del soporte derecho del embalaje



Nota:

Los diferentes modelos utilizan materiales de embalaje diferentes. Los soportes reales pueden tener un aspecto diferente. El soporte permanece en la base de embalaje. La unidad debe permanecer en la base de embalaje hasta que esté lista para ser levantada y colocada en el recorte del gabinete.

Dimensiones y requisitos de los gabinetes

Los requisitos del gabinete varían en función del modelo que se instalará. Consulte la sección “Requisitos de dimensiones de los gabinetes” que se encuentra en la parte posterior de este manual de instalación para obtener los detalles pertinentes a su modelo en particular.

Todos los modelos requieren lo siguiente:

- Un espacio de 1/4 pulg. (6.4 mm) entre el costado del horno y una pared o la puerta de un gabinete adyacentes cuando se instalen al final de una serie de gabinetes.
- La instalación de escuadras de 2 x 4 que se extiendan de adelante hacia atrás a ras de la parte inferior y el costado de la abertura para brindar soporte al horno. Esta base de soporte debe estar bien asegurada al piso/gabinete y debe estar nivelada.
- La caja de conductos eléctricos debe estar ubicada por encima de la unidad para facilitar la conexión y el servicio técnico de la unidad.
- La base del gabinete debe ser plana y capaz de soportar el peso de su horno cuando esté en uso (varía por modelo hasta 429 lb [195 kg]). Consulte el peso adecuado para su modelo en la sección “Requisitos de

Preparación del horno

Coloque el horno frente a los gabinetes donde se va a instalar. Apóyelo en un soporte resistente, de modo que esté alineado con el recorte del gabinete.

Instalación

Determine el tipo de instalación

Este manual de instalación proporciona instrucciones para la instalación de hornos simples, hornos dobles y hornos combinados (un horno simple combinado con un horno de microondas o de vapor).

Partes proporcionadas

Guarnición inferior del horno (1)

Embalado en una funda de plástico, con tornillos de montaje en una bolsa de color rojo dentro de la manga.



Los hornos autónomos simples y dobles no requieren un preensamblaje. Salvo que esté instalando un horno combinado, salte las instrucciones de preensamblaje de hornos combinados y **vaya directo a “Instalación eléctrica”, que se aplica a todos los hornos.**

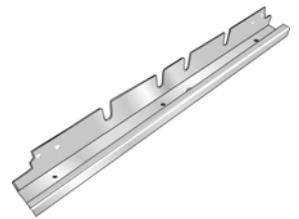
Preensamblaje de hornos combinados antes de la instalación

Los hornos combinados (con horno de microondas o de vapor) requieren el ensamblaje de las unidades antes de la instalación de la unidad combinada en el gabinete de pared.

Nota: El horno simple puede instalarse con un horno de vapor o con un horno de microondas. El procedimiento de instalación difiere entre estos dos. Las partes que se encuentran en la caja de partes de tubo cuadradas son comunes a las dos instalaciones.

Partes proporcionadas

Soporte de conexión universal (2)
(en la caja de partes que se encuentra encima del horno)



Tornillos (16)
(en la bolsa roja, dentro de la caja de partes que se encuentra encima del horno)



Moldura decorativa (1)

Embalada en un envoltorio de burbujas, cerca del panel de control del horno.



Ensamble de corredera de servicio técnico para combo (2)*

* Esta parte se encuentra preensamblada en el horno para facilitar la conexión de un microondas.

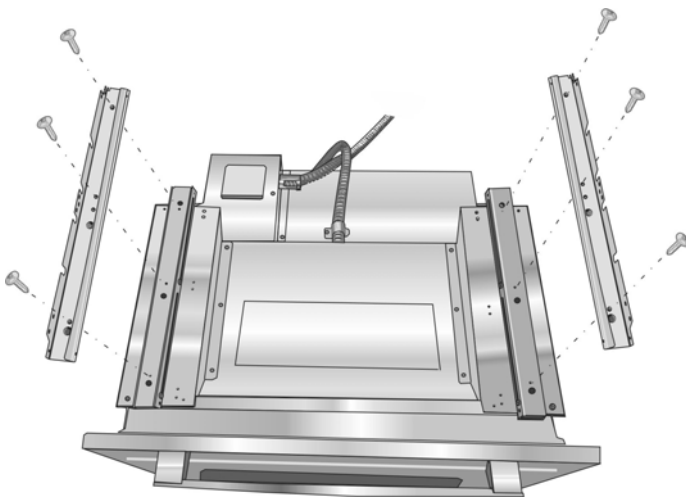


Instalación con el horno de microondas

Nota: No coloque el horno en el gabinete de pared hasta después de montar el microondas utilizando los soportes de conexión universales.

1. Los ensambles de corredera de servicio técnico para combo están conectados al horno con espacios para conectar el microondas.
2. Instale los dos soportes de conexión universales utilizando seis de los tornillos proporcionados. Ajuste los tornillos firmemente, pero no ajuste en exceso.

Nota: Los soportes de conexión universales pueden intercambiarse para los lados izquierdo y derecho del horno. Asegúrese de que el borde vertical más alto del soporte esté posicionado fuera del horno.



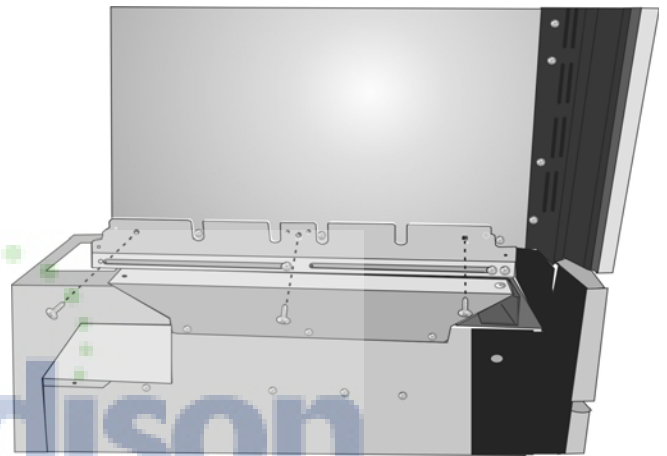
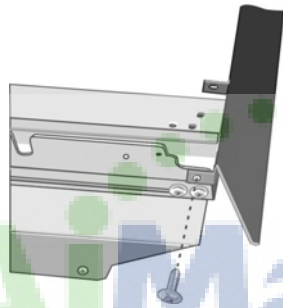
- Coloque el horno de microondas encima de los soportes de conexión universales y ajústelo en su lugar utilizando tres tornillos por lado. Ajuste los tornillos firmemente, pero no ajuste en exceso.

Nota: Los tornillos existentes que se encuentran en la base del microondas ayudan con la alineación. Al bajar el microondas para colocarlo en su lugar en el soporte de conexión universal, deje que las cabezas de estos tornillos se deslicen en las ranuras, como se muestra en la ilustración que figura a continuación. El tornillo que se encuentra más cerca de la parte delantera del microondas se desliza en la base de la inclinación en la parte delantera del soporte.

- Instale la moldura decorativa.

Posicione la pieza de moldura decorativa de modo que las bridas que tienen orificios apunten hacia afuera de la puerta del horno.

Alinee las bridas externas con la parte exterior de los soportes universales. Ajuste cada una con 1 tornillo en el orificio del extremo del soporte universal. Ajuste los tornillos firmemente, pero no ajuste en exceso.

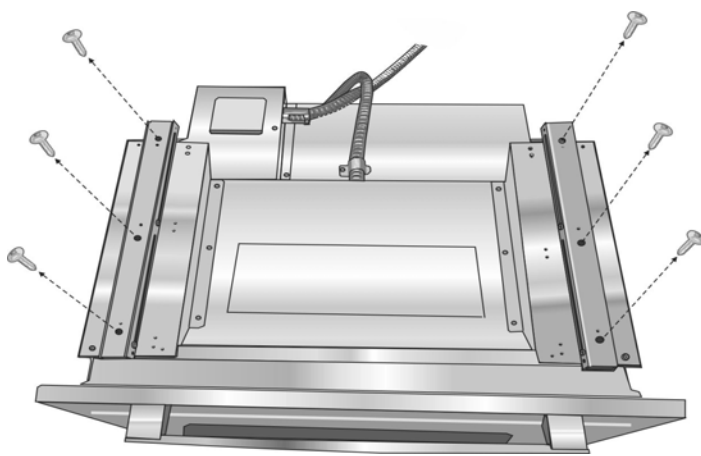


- Continúe con la instalación de la unidad en las siguientes secciones sobre la conexión eléctrica y la instalación del horno en el gabinete de pared.

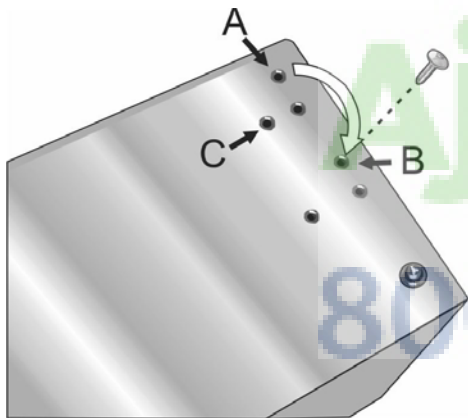
Instalación con el horno de vapor

Nota: No coloque el horno en el gabinete de pared hasta después de montar el horno de vapor utilizando los soportes de conexión universales.

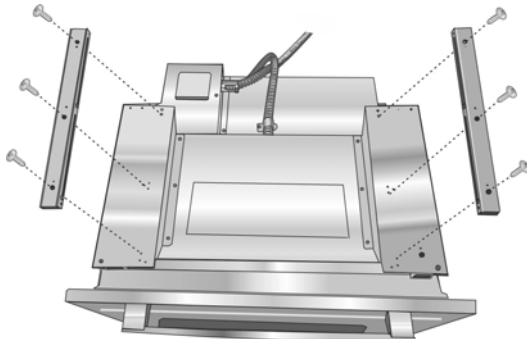
- Retire los seis tornillos que sostienen los ensambles de corredera de servicio técnico para combo en la escuadra de soporte. Utilice la punta de un destornillador de berbiquí magnético para alcanzar los tornillos a través de los orificios largos en las partes superiores de las correderas.



2. El tornillo que se encuentra en la posición A (más cerca del borde interior, cerca del panel de control) debe moverse para permitir que se posicione el soporte universal allí. Retire el tornillo interno (A) de la escuadra de soporte izquierda y vuelva a introducirlo en el tercer orificio (B) desde el borde interno de la escuadra de soporte. Repita los pasos para la escuadra de soporte derecha.



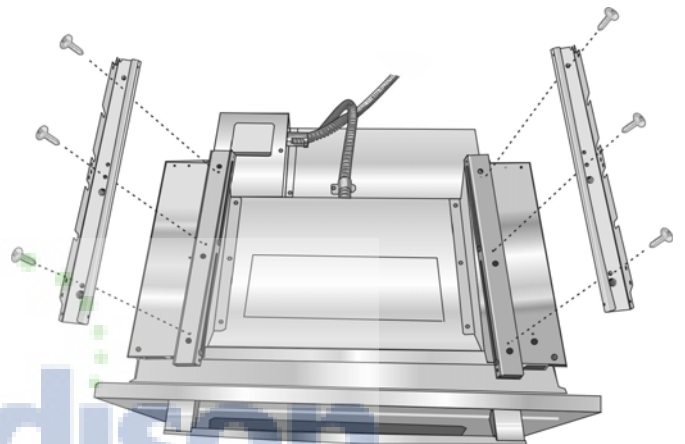
3. Vuelva a conectar los ensambles de corredera utilizando los orificios que se encuentran cerca del borde interior de la escuadra de soporte. Alinee el ensamble de corredera en forma paralela al borde del soporte e introduzca el primer tornillo en el orificio (C). Introduzca los tres tornillos de cada ensamble de corredera. Ajuste los tornillos firmemente, pero no ajuste en exceso.



Nota: Cuando se utilizan los orificios correctos, la parte delantera del ensamble de corredera se extenderá apenas pasando el borde de la barra de soporte horizontal. El ensamble de corredera estará, aproximadamente, a 1/8 pulg. (3 mm) del borde interior de la escuadra de soporte.

4. Instale los dos soportes de conexión universales en los ensambles de corredera utilizando los tornillos que se proporcionan. Ajuste los tornillos firmemente, pero no ajuste en exceso.

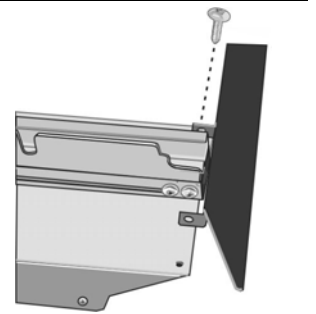
Nota: Los soportes de conexión universales pueden intercambiarse para los lados izquierdo y derecho del horno. Asegúrese de que el borde vertical más alto del soporte se posicione fuera del horno.



5. Instale la moldura decorativa.

Posicione la pieza de moldura decorativa de modo que las bridas que tienen orificios apunten hacia afuera de la puerta del horno.

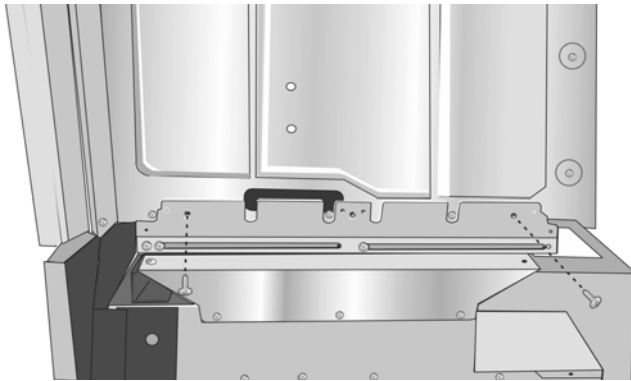
Alinee las bridas internas con la parte interior de los soportes universales. Ajuste cada una con un tornillo en el orificio del extremo del soporte universal. Ajuste los tornillos firmemente, pero no ajuste en exceso.



6. Coloque el horno de vapor encima de los soportes de conexión universales y ajústelo en su lugar utilizando dos tornillos por lado. Ajuste los tornillos firmemente, pero no ajuste en exceso.

Nota: Los tornillos existentes que se encuentran en la base del horno de vapor ayudan con la alineación. Al bajar el horno de vapor para colocarlo en su lugar en el soporte de conexión universal, deje que las cabezas de estos tornillos se deslicen en las ranuras, como se muestra en la ilustración que figura a continuación. El tornillo que se encuentra más cerca de la parte

delantera del horno de vapor se desliza en la base de la inclinación en la parte delantera del soporte.



7. Continúe con la instalación de la unidad en las siguientes secciones sobre la conexión eléctrica y la instalación del horno en el gabinete de pared.

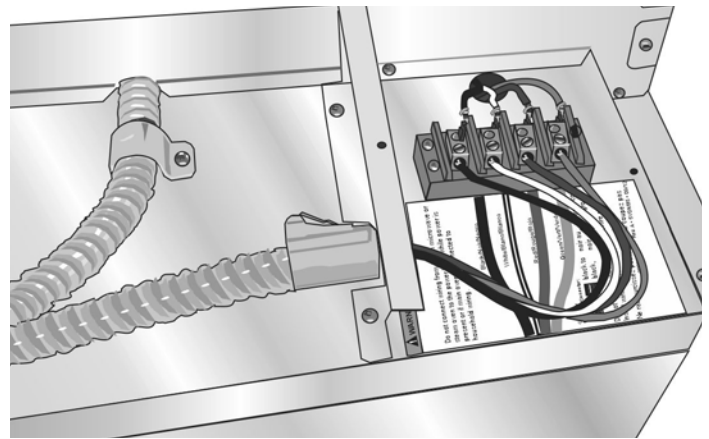
Conexión del conducto eléctrico del horno de microondas o del horno de vapor al horno simple

Nota: Si se realiza la instalación del horno con un horno de microondas o de vapor montados como unidad combinada, el cable de alimentación eléctrica del horno de microondas o del horno de vapor debe estar adecuadamente conectado a la caja de empalme montada en el horno. Esto debe realizarse antes de suministrar energía eléctrica al horno.

⚠ ADVERTENCIA

Desconecte el horno de la fuente de alimentación eléctrica antes de conectar el cableado del horno de microondas o del horno de vapor. No hacerlo podría producir una descarga eléctrica y lesiones o la muerte.

1. Asegúrese de que no se suministre energía eléctrica al horno.
2. Retire la cubierta de la caja de empalme montada en el horno (ubicada en la parte trasera superior del horno).
3. Retire la tapa del orificio de acceso al conducto que se encuentra al costado de la caja de empalme montada en el horno.



4. Guíe los cuatro cables del cable de conductos que proviene del horno de microondas o de vapor a través del orificio que se encuentra en la caja de empalme montada en el horno.
5. Calce a presión el conector de conductos en el orificio presionándolo en su lugar hasta que haga un clic.
6. Siga la etiqueta de diagrama de cableado, y haga coincidir y conecte cada cable por color a los cables conectados al bloque de cableado que se encuentra dentro de la caja de empalme montada en el horno. Empuje el extremo desnudo del cable hasta que quede ajustado en el bloque de cableado; luego, ajuste el tornillo de retención sobre cada cable. Ajuste firmemente, pero no ajuste en exceso.
7. Vuelva a colocar la cubierta de la caja de empalme montada en el horno y ajuste los dos tornillos que la mantienen en su lugar. Ajuste los tornillos firmemente, pero no ajuste en exceso.
8. Consulte la sección "Conexión eléctrica", a fin de obtener más información para completar la conexión eléctrica de la unidad combinada a la fuente de alimentación principal.

Instalación eléctrica

Todos los hornos modelo que figuran en la portada de este manual de instrucciones de instalación presentan una clasificación doble, están diseñados para conectarse a una fuente de alimentación monofásica de 208 V o 240 V CA, de 60 Hz, de 4 cables.

Modelo	Circuito requerido	
	208 V, 60 Hz	240 V, 60 Hz
HBN54, HBN84, HBL53, HBL54, HBL84, HBLP4	30 A	
HBL55	30 A	40 A

Modelo	Circuito requerido	
	208 V, 60 Hz	240 V, 60 Hz
HBN56, HBL56, HBL57, HBN86, HBL86, HBL87, HBLP6, HBLP7, HSLP7	40 A	

El suministro eléctrico debe ser monofásico de 4 cables de CA. Instale una caja de conductos adecuada (no se proporciona). Debe utilizarse un conector de conductos incluido en el listado de UL de tamaño adecuado para conectar correctamente el conducto a la caja de empalme.

Importante: Es posible que los códigos locales varíen; la instalación, las conexiones eléctricas y la conexión a tierra deben cumplir con todos los códigos locales correspondientes.

Si los códigos locales permiten la conexión a tierra a través del conductor neutro del suministro eléctrico, conecte el cable blanco neutro y el cable verde de conexión a tierra del horno al cable blanco neutro de suministro eléctrico.

Importante: Si ha adquirido un horno combinado (uno que incluya un horno de microondas o de vapor sobre el horno simple), consulte la sección que antecede, "Conexión del conducto eléctrico del horno de microondas o del horno de vapor al horno simple", que muestra la conexión eléctrica de los componentes de la unidad combinada.

⚠ ADVERTENCIA

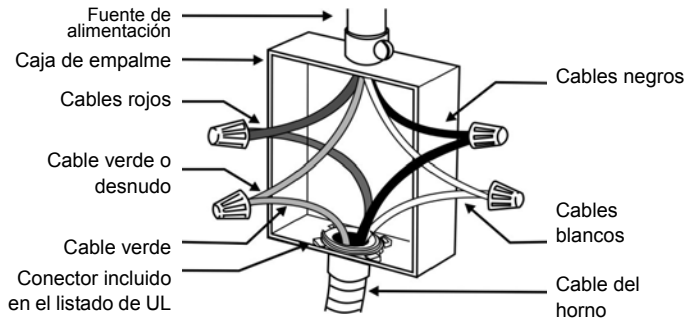
Complete la conexión del conductor de horno de microondas o de vapor a la fuente de alimentación principal antes de continuar con la conexión eléctrica de la unidad.

Conexión eléctrica a la fuente de alimentación principal

Se prefiere la conexión de cuatro cables, pero, si lo permiten los códigos locales, también es aceptable la conexión de tres cables.

Conexión de cuatro cables

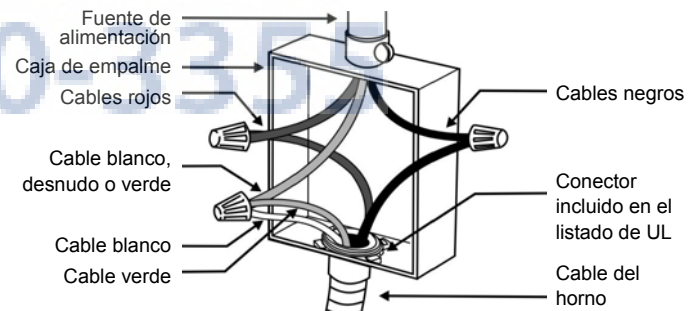
Conector neutro sin conexión a tierra



- Conecte el cable rojo del horno al cable rojo del suministro eléctrico (cable vivo).
- Conecte el cable negro del horno al cable negro del suministro eléctrico (cable vivo).
- Conecte el cable blanco neutro del horno al cable blanco neutro del suministro eléctrico (no el desnudo ni el verde de conexión a tierra).
- Conecte el cable verde de conexión a tierra del horno al cable desnudo o verde de conexión a tierra del suministro eléctrico.

Conexión de tres cables

Conductor neutro de conexión a tierra



- Conecte el cable rojo del horno al cable rojo que se encuentra en la caja de empalme.
- Conecte el cable negro del horno al cable negro que se encuentra en la caja de empalme.
- Conecte el cable verde de conexión a tierra y el cable blanco del horno al cable blanco, verde o desnudo neutro que se encuentra en la caja de empalme.

El cable de conductos gira cuando está conectado al horno. Rote el cable de conductos hacia arriba (o hacia abajo) y diríjalo a través del orificio preparado en el gabinete para conectarlo a la caja de empalme.

Para mantener la durabilidad, el conducto flexible no debe cortarse y debe pasarse para permitir el retiro temporal del horno.

Instalación del horno en el gabinete de pared

Nota:

Antes de instalar el horno, asegúrese de verificar las dimensiones del gabinete y las conexiones eléctricas. Verifique que la cavidad esté nivelada y a plomo para la instalación correcta.

Las unidades combinadas (hornos con horno de microondas o de vapor) tienen instrucciones de instalación adicionales. Consulte la sección que antecede, "Preensamblaje de hornos combinados antes de la instalación".

Para una mejor instalación

La manipulación de los hornos dobles y combinados durante la instalación puede resultar difícil si la realizan dos personas. Se recomienda que haya tres o más personas disponibles para ayudar a levantar la unidad y colocarla en su lugar. También se recomienda retirar la puerta del horno (únicamente, los modelos con bisagra inferior) para ayudar a reducir el peso de la unidad y proporcionar un acceso más fácil a los asideros dentro de la cavidad del horno.

Retiro de la puerta del horno de las bisagras inferiores

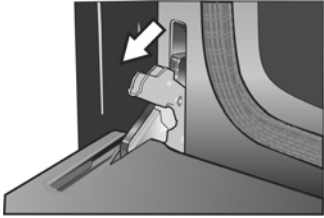

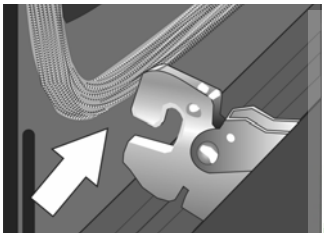
Importante: No intente retirar la puerta de las bisagras laterales (algunos modelos).

Para facilitar la instalación, es posible retirar las puertas de algunos hornos para reducir el peso del horno en 30 lb (14 kg) por puerta, antes de instalarlos en el gabinete. Consulte las instrucciones que figuran a continuación.

⚠ ADVERTENCIA

- Asegúrese de que el horno esté frío y de que la alimentación eléctrica esté apagada antes de retirar la puerta. No hacerlo podría producir quemaduras.
 - La puerta del horno es pesada y frágil. Use las dos manos para retirar la puerta del horno. El frente de la puerta es de vidrio. Manipúlela con cuidado para que no se rompa.
 - Tome la puerta del horno solamente por los costados. No la tome de la manija, porque puede deslizarse de la mano y causar daños o lesiones.
 - No tomar la puerta del horno con firmeza y correctamente podría ocasionar lesiones personales o daños al producto.
 - Para evitar lesiones cuando el soporte de la bisagra se cierra bruscamente, asegúrese de que ambas palancas estén firmemente en su lugar antes de retirar la puerta. Tampoco abra ni cierre la puerta forzándola; la bisagra se puede dañar y ocasionar lesiones.
 - No apoye la puerta retirada sobre objetos filosos ni puntiagudos ya que puede romperse el vidrio. Apóyela sobre una superficie plana y lisa de modo que no pueda caerse.
-

Para retirar la puerta del horno:

	<ol style="list-style-type: none">1. Asegúrese de leer la ADVERTENCIA anterior antes de intentar retirar la puerta.2. Abra la puerta por completo.3. Lleve las palancas de las bisagras hacia usted.
	<ol style="list-style-type: none">4. Sujetando la puerta firmemente de ambos lados con las dos manos, cierre la puerta suavemente hasta que se detenga contra las palancas, aproximadamente, a 30° de la posición cerrada.
	<ol style="list-style-type: none">5. Levante la puerta cuidadosamente y retírela de las ranuras de las bisagras. Sujétela con firmeza; la puerta es pesada.6. Coloque la puerta en una ubicación conveniente y estable hasta que esté listo para instalarla.

Colocación del horno en la abertura del gabinete

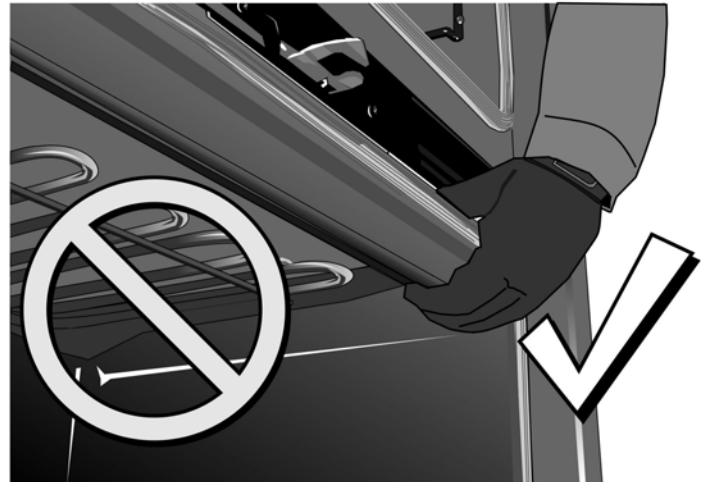
▲ PRECAUCIÓN

Para evitar dañar la puerta, no levante, jale ni empuje la unidad durante la instalación usando la manija de la puerta del horno como punto de sujeción.

Nota: Se recomienda usar guantes y mangas largas para proteger las manos y los antebrazos de la abrasión y de las posibles raspaduras durante el proceso de levantamiento. También se recomienda quitarse los relojes de mano y las alhajas, y usar calzado de trabajo durante la instalación para proteger los pies.

Al levantar la unidad y colocarla en su lugar, evite tomar el elemento superior para evitar dañarlo. Vea la siguiente

ilustración para conocer el punto de levantamiento correcto.



1. La unidad y el embalaje de su parte inferior (paleta) deben posicionarse cerca de la abertura del gabinete y delante de esta antes de comenzar a levantar la unidad y colocarla en su lugar.



2. Levante o deslice la unidad y colóquela dentro del recorte del gabinete, de modo que evite que la base de la unidad entre en contacto con el piso.
3. Verifique que el cable de conductos no caiga detrás de la unidad durante la instalación. Puede resultar útil

hacer pasar el conducto al área a la cual se conectará (por ejemplo, un gabinete superior o adyacente) y unir con cinta el extremo hacia abajo, de modo que no se salga mientras se desliza la unidad en su lugar.

- Dirija la unidad en forma recta hacia atrás y colóquela dentro del recorte del gabinete.

Nota: Tenga cuidado de no plisar el conducto flexible entre el horno y la pared trasera del gabinete. Si es necesario, dirija el conducto flexible hacia la pared o hacia el orificio de acceso al gabinete para que este no impida que la unidad pueda empujarse completamente dentro de la abertura del gabinete. El horno debe estar derecho y nivelado, no torcido.

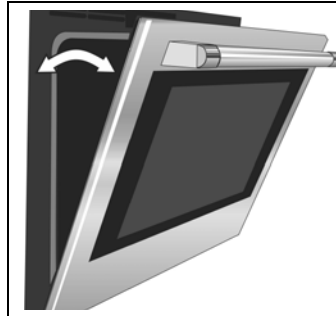
- Instale la guarnición de fondo del horno mientras esté sacando la puerta y la unidad esté en su lugar. (No empuje la unidad hasta el fondo, dejar alrededor de 1 pulgada que se extiende desde la parte frontal del gabinete). Use dos de los tornillos que se suministran en la bolsa de color rojo que se incluye con la pieza de adorno..

- Alinee los orificios de ajuste termina con agujeros en la parte inferior del horno.
- Inserte los tornillos y apriete firmemente. No apriete demasiado.

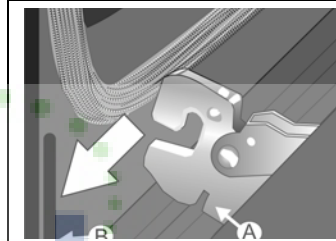


- Empuje la unidad en forma recta hacia adentro hasta que la moldura del horno esté a ras de la parte delantera de la moldura del gabinete.
- Instale los tornillos suministrados a través de los orificios para colada en la moldura. (2 tornillos para hornos simples, 4 tornillos para hornos dobles/combo).

Para volver a colocar la puerta del horno:



- Sujete la puerta firmemente con las dos manos.
- Sujete la puerta a un ángulo de 30° de la posición cerrada e inserte las bisagras en las ranuras. Es posible que necesite balancear la puerta hacia adelante y hacia atrás levemente para asentar los apoyos de la bisagra.



- Es posible que deba retirar y volver a colocar la puerta hasta que las bisagras se asienten correctamente en las ranuras.



- Abra completamente la puerta para que se vean las bisagras, las palancas y las ranuras.
- Empuje las palancas hacia adelante y abajo hasta que queden asentadas en el soporte.
- Cierre y abra la puerta despacio para asegurarse de que esté correcta y firmemente colocada. La puerta debe estar derecha, no torcida.

Prueba de funcionamiento

1. Encienda la alimentación con el disyuntor.
2. Pruebe el modo horno.
Seleccione el modo **BAKE** (Hornear). Consulte el Manual de uso y cuidado para obtener instrucciones detalladas de operación.
3. Verifique que se encienda la luz del horno y que el horno comience a precalentar.
4. Pruebe la traba de la puerta.
Configure el modo **SELF CLEAN** (Autolimpieza). Confirme que se trabe la puerta cuando aparece el ícono de traba en la pantalla.
5. Si se realiza la instalación de un horno doble, pruebe el segundo horno también.
6. Si alguna de estas pruebas no resulta como se explicó anteriormente, comuníquese con el servicio técnico de Bosch para obtener asistencia. De lo contrario, la instalación está completa en este momento.

Servicio técnico

Antes de llamar al servicio técnico

Para obtener información sobre resolución de problemas, consulte el Manual de uso y cuidado. Consulte la garantía en el Manual de uso y cuidado.

Para consultar a un representante de servicio técnico, consulte la información de contacto que aparece en el frente del manual. Cuando llame, tenga a la mano la información impresa en la placa de datos de su producto.

Placa de datos

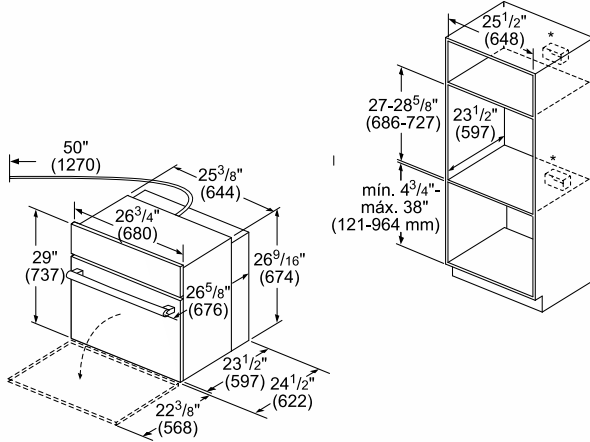
La placa de datos muestra el modelo y el número de serie. Al solicitar servicio técnico, consulte la placa de datos del electrodoméstico. La placa de datos se encuentra en la parte inferior del panel de control.



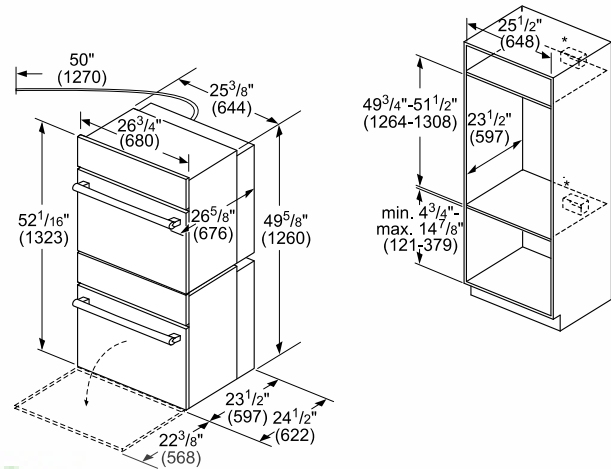
Requisitos de dimensiones de los gabinetes

Dimensiones para unidades montadas en la pared de 27 pulg.

Horno simple de 27 pulg.



Horno doble de 27 pulg.



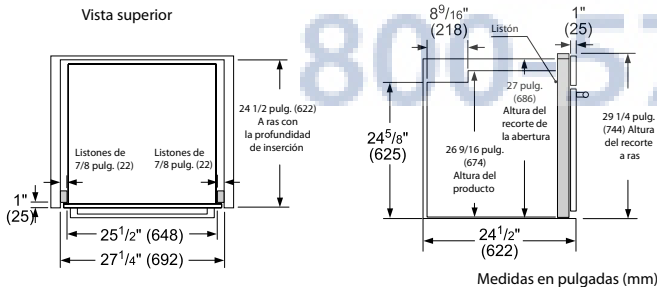
* Para los hornos simples instalados en un gabinete de pared, es posible que la caja de empalme esté ubicada por encima o por debajo de la unidad, al alcance del cable de alimentación.

* Para los hornos simples instalados en un gabinete de pared, es posible que la caja de empalme esté ubicada por encima o por debajo de la unidad, al alcance del cable de alimentación.

La instalación a ras requiere que se adhieran dos listones laterales dentro del marco del gabinete, empotrados desde la parte delantera.

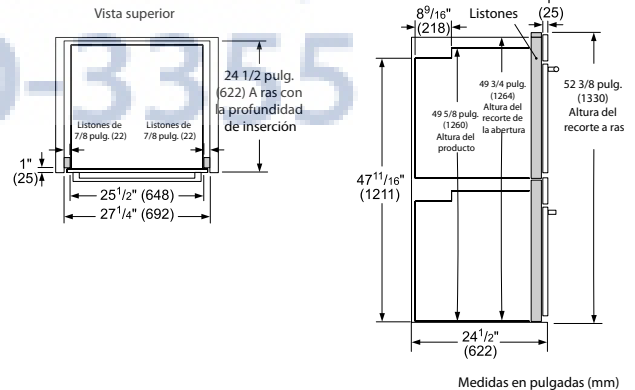
La instalación a ras requiere que se adhieran dos listones laterales dentro del marco del gabinete, empotrados desde la parte delantera.

Instalación a ras



Medidas en pulgadas (mm)

Instalación a ras



Medidas en pulgadas (mm)

Es una buena práctica, cuando se instala el horno al final de una serie de gabinetes, adyacente a una pared o puerta de gabinete perpendiculares, dejar un espacio de, por lo menos, 1/4 pulg. entre el costado del horno y la pared/ puerta.

Para brindar soporte al horno, instale escuadras de 2 x 4 que se extiendan de adelante hacia atrás a ras de la parte inferior y el costado de la abertura. La base de soporte debe estar bien asegurada al piso/gabinete y nivelada.

Nota:

La caja de conductos puede instalarse por encima de la unidad o a la derecha de esta, dentro del alcance del conducto de alimentación.

La cavidad del gabinete debe estar a plomo y la base debe ser plana y nivelada y capaz de soportar un peso de al menos, 193 lb (87 kg).

Es una buena práctica, cuando se instala el horno al final de una serie de gabinetes, adyacente a una pared o puerta de gabinete perpendiculares, dejar un espacio de, por lo menos, 1/4 pulg. entre el costado del horno y la pared/ puerta.

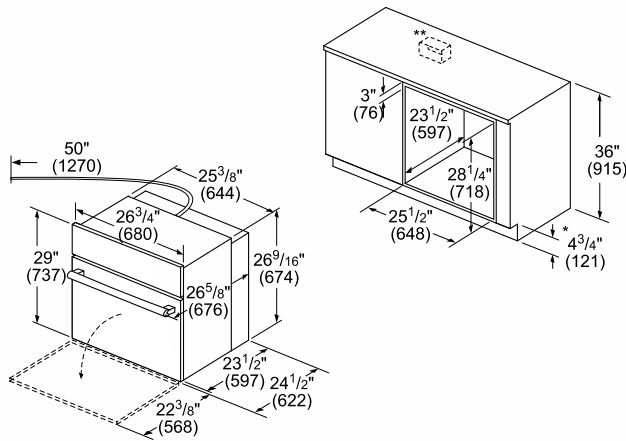
Para brindar soporte al horno, instale escuadras de 2 x 4 que se extiendan de adelante hacia atrás a ras de la parte inferior y el costado de la abertura. La base de soporte debe estar bien asegurada al piso/gabinete y nivelada.

Nota:

La caja de conductos debe estar ubicada por encima de la unidad para facilitar la conexión y el servicio técnico.

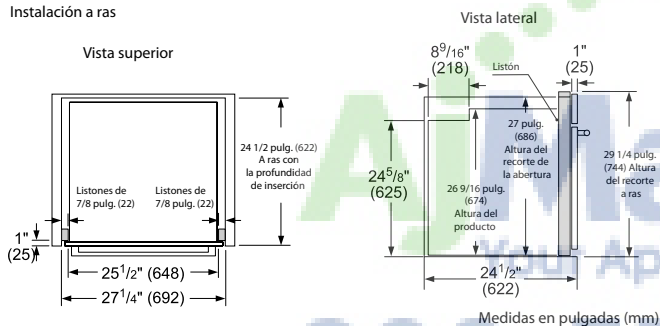
La cavidad del gabinete debe estar a plomo y la base debe ser plana y nivelada y capaz de soportar un peso de al menos, 361 lb (164 kg).

Horno simple, debajo de la superficie de trabajo de 27 pulg.



La instalación a ras requiere que se adhieran dos listones laterales dentro del marco del gabinete, empotrados desde la parte delantera.

Instalación a ras



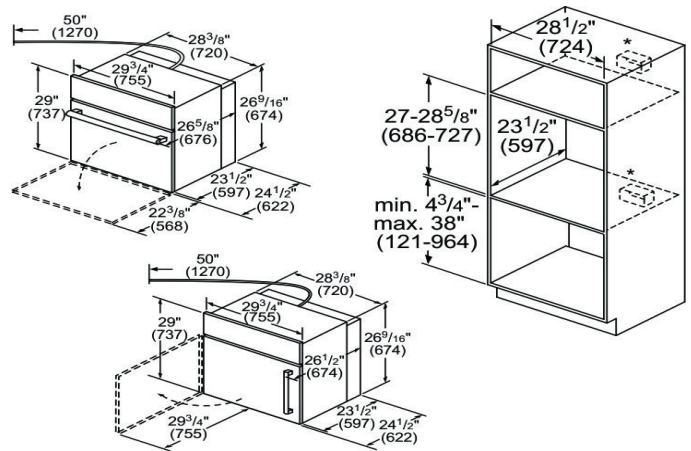
Es una buena práctica, cuando se instala el horno al final de una serie de gabinetes, adyacente a una pared o puerta de gabinete perpendiculares, dejar un espacio de, por lo menos, 1/4 pulg. entre el costado del horno y la pared/ puerta.

Para brindar soporte al horno, instale escuadras de 2 x 4 que se extiendan de adelante hacia atrás a ras de la parte inferior y el costado de la abertura. La base de soporte debe estar bien asegurada al piso/gabinete y nivelada.

La cavidad del gabinete debe estar a plomo y la base debe ser plana y nivelada y capaz de soportar un peso de al menos, 193 lb (87 kg).

Dimensiones para unidades montadas en la pared de 30 pulg.

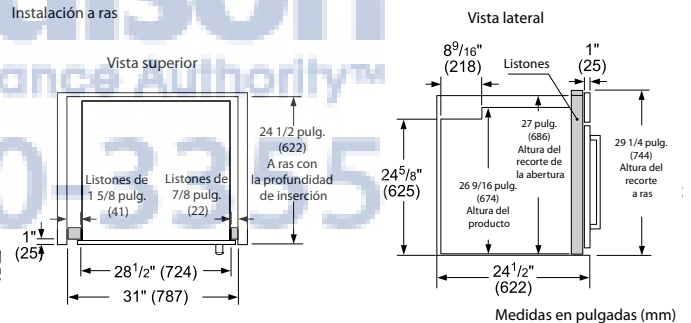
Horno simple de 30 pulg.



* Para los hornos simples instalados en un gabinete de pared, es posible que la caja de empalme esté ubicada por encima o por debajo de la unidad, al alcance del cable de alimentación.

La instalación a ras requiere que se adhieran dos listones laterales dentro del marco del gabinete, empotrados desde la parte delantera.

Instalación a ras



Es una buena práctica, cuando se instala el horno al final de una serie de gabinetes, adyacente a una pared o puerta de gabinete perpendiculares, dejar un espacio de, por lo menos, 1/4 pulg. entre el costado del horno y la pared/ puerta.

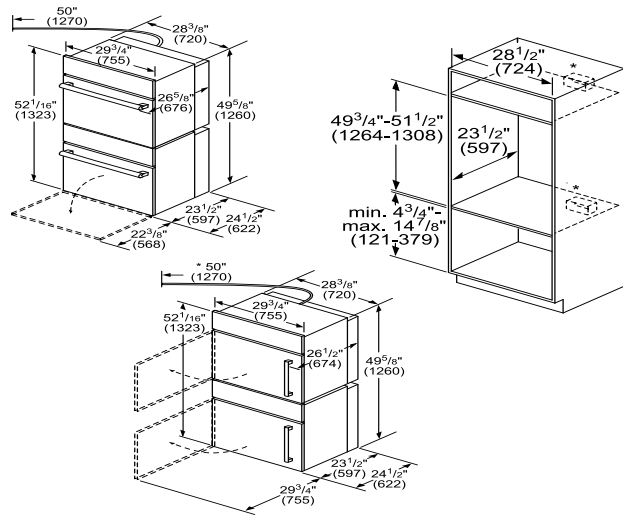
Para brindar soporte al horno, instale escuadras de 2 x 4 que se extiendan de adelante hacia atrás a ras de la parte inferior y el costado de la abertura. La base de soporte debe estar bien asegurada al piso/gabinete y nivelada.

Nota:

La caja de conductos debe estar instalada por encima o por debajo de la unidad. Si se instala la caja de conductos debajo de la unidad, se requiere un orificio o un espacio de 2 pulg. de diámetro entre la pared trasera y el lado derecho de la parte trasera de las escuadras de 2x4.

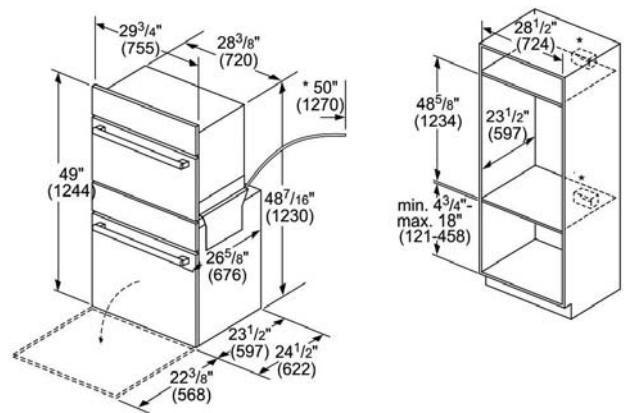
La cavidad del gabinete debe estar a plomo y la base debe ser plana y nivelada y capaz de soportar un peso de al menos, 212 lb (96 kg).

Horno doble de 30 pulg.



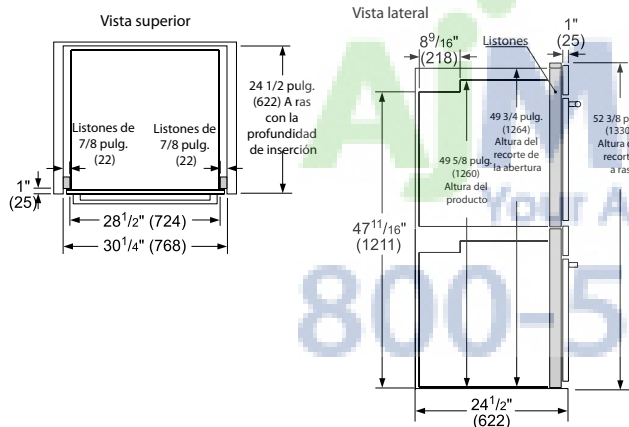
La instalación a ras requiere que se adhieran dos listones laterales dentro del marco del gabinete, empotrados desde la parte delantera.

Horno combinado y microondas 30 pulg.



La instalación a ras requiere que se adhieran dos listones laterales dentro del marco del gabinete, empotrados desde la parte delantera.

Instalación a ras



Es una buena práctica, cuando se instala el horno al final de una serie de gabinetes, adyacente a una pared o puerta de gabinete perpendiculares, dejar un espacio de, por lo menos, 1/4 pulg. entre el costado del horno y la pared/ puerta.

Para brindar soporte al horno, instale escuadras de 2 x 4 que se extiendan de adelante hacia atrás a ras de la parte inferior y el costado de la abertura. La base de soporte debe estar bien asegurada al piso/gabinete y nivelada.

Nota:

La caja de conductos debe estar ubicada por encima de la unidad para facilitar la conexión y el servicio técnico.

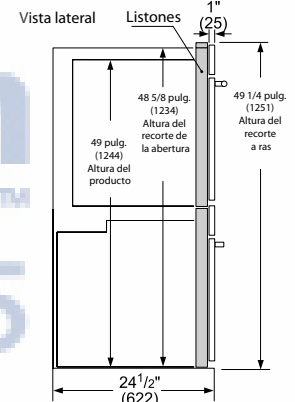
La cavidad del gabinete debe estar a plomo y la base debe ser plana y nivelada y capaz de soportar un peso de al menos, 390 lb (177 kg).

Vista superior

Instalación a ras

Vista superior

Vista lateral



Medidas en pulgadas (mm)

Es una buena práctica, cuando se instala el horno al final de una serie de gabinetes, adyacente a una pared o puerta de gabinete perpendiculares, dejar un espacio de, por lo menos, 1/4 pulg. entre el costado del horno y la pared/ puerta.

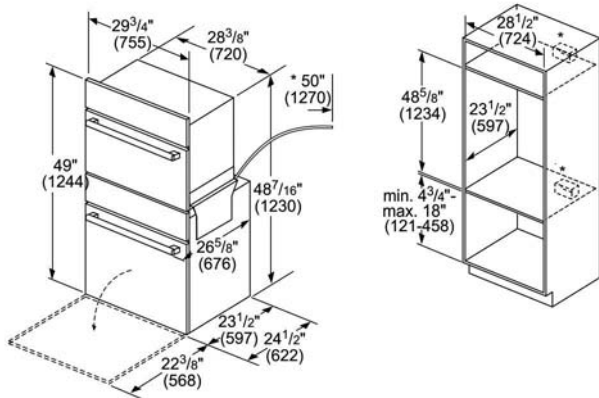
Para brindar soporte al horno, instale escuadras de 2 x 4 que se extiendan de adelante hacia atrás a ras de la parte inferior y el costado de la abertura. La base de soporte debe estar bien asegurada al piso/gabinete y nivelada.

Nota:

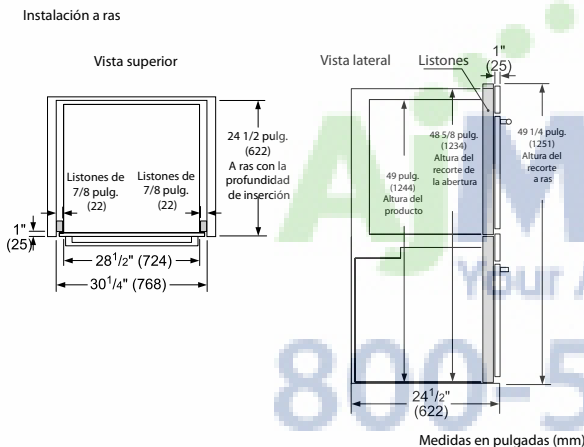
La caja de conductos debe estar ubicada por encima de la unidad para facilitar la conexión y el servicio técnico.

La cavidad del gabinete debe estar a plomo y la base debe ser plana y nivelada y capaz de soportar un peso de al menos, 310 lb (141 kg).

Horno combinado y horno de vapor de 30 pulg.



La instalación a ras requiere que se adhieran dos listones laterales dentro del marco del gabinete, empotrados desde la parte delantera.



Es una buena práctica, cuando se instala el horno al final de una serie de gabinetes, adyacente a una pared o puerta de gabinete perpendiculares, dejar un espacio de, por lo menos, 1/4 pulg. entre el costado del horno y la pared/ puerta.

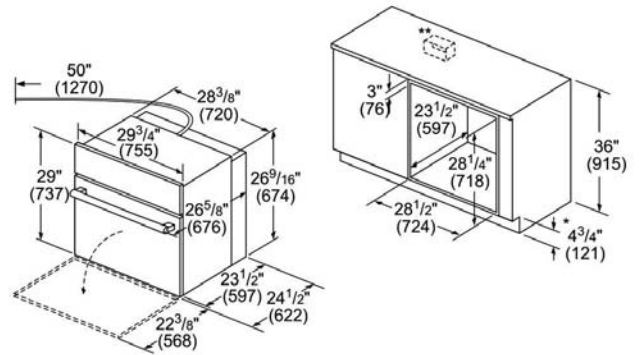
Para brindar soporte al horno, instale escuadras de 2 x 4 que se extiendan de adelante hacia atrás a ras de la parte inferior y el costado de la abertura. La base de soporte debe estar bien asegurada al piso/gabinete y nivelada.

Nota:

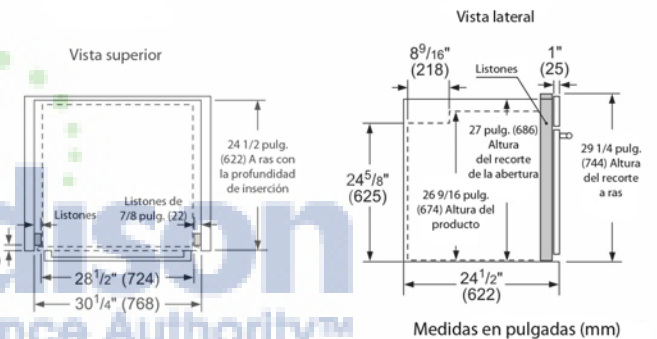
La caja de conductos debe estar ubicada por encima de la unidad para facilitar la conexión y el servicio técnico.

La cavidad del gabinete debe estar a plomo y la base debe ser plana y nivelada y capaz de soportar un peso de al menos, 429 lb (195 kg).

Horno simple, debajo de la superficie de trabajo de 30 pulg.



La instalación a ras requiere que se adhieran dos listones laterales dentro del marco del gabinete, empotrados desde la parte delantera.



Es una buena práctica, cuando se instala el horno al final de una serie de gabinetes, adyacente a una pared o puerta de gabinete perpendiculares, dejar un espacio de, por lo menos, 1/4 pulg. entre el costado del horno y la pared/ puerta.

Para brindar soporte al horno, instale escuadras de 2 x 4 que se extiendan de adelante hacia atrás a ras de la parte inferior y el costado de la abertura. La base de soporte debe estar bien asegurada al piso/gabinete y nivelada.

La cavidad del gabinete debe estar a plomo y la base debe ser plana y nivelada y capaz de soportar un peso de al menos, 212 lb (96 kg).







BOSCH

Invented for life