



avantGarde™ Convection
Electric Single Oven

Features & Benefits

- threeD surround convection™ Cooking with third heating element
- Two-speed Convection Fan
- European Style
- German Engineering
- Will fit undercounter with European style 6" toekicks
- activeClean™ Convection Self Cleaning
- Precision Temperature Monitoring

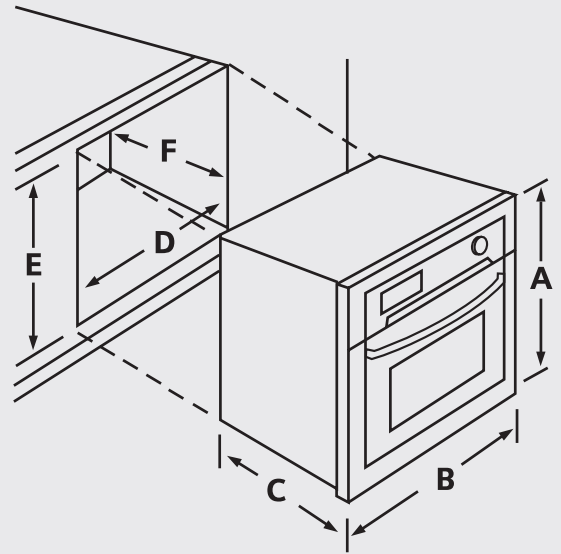
Installation

Overall Dimensions

A	Height	23 1/4"
B	Width	29 1/4"
C	Overall depth	22"
D	Cutout width	28"
E	Cutout height	23"
F	Cutout depth	24"

SKU HB30S50U

Type	Single Oven
Width	30"
Color Options	Stainless steel
threeD surround convection™	•
Fast Preheat	•
Thaw/Dehydrate	•
Standard Bake and Broil	•
Two-Speed Convection Fan	both
Two Halogen Lights Per Cavity	•
Automatic Timer	•
Sabbath Mode	•
Delay Start Cooking	•
Self-Clean with Delay Option	•
Minute Timer	•
Number of Telescopic Racks	1
Number of Standard Racks	2
Broiler Pan	•
Broiler Element Wattage	3500
Convection Element Wattage	2500
Bottom Element Wattage	3000
208-240V/60Hz, 4-Wire	•
Amps	30



Siemens avantGarde™ Single Oven

The future moving in.

SIEMENS

Ⓛ BSH reserves the absolute and unrestricted right to change product materials and specifications, at any time, without notice. Consult the product's installation instructions for final dimensional data and other details. Applicable product warranty can be found in accompanying product literature or you may contact your account manager for further details.
Notes: All height, width and depth dimensions are shown in inches. Please refer to installation instructions prior to making cutout.

1-888-4-SIEMENS • In the US: siemens-home.com • In Canada: siemens-home.ca

Copyright ©2007 BSH Home Appliances Corporation. All rights reserved. All rights reserved. Specifications subject to change without notice.

61-004-0107A
Litho Date: 02/07