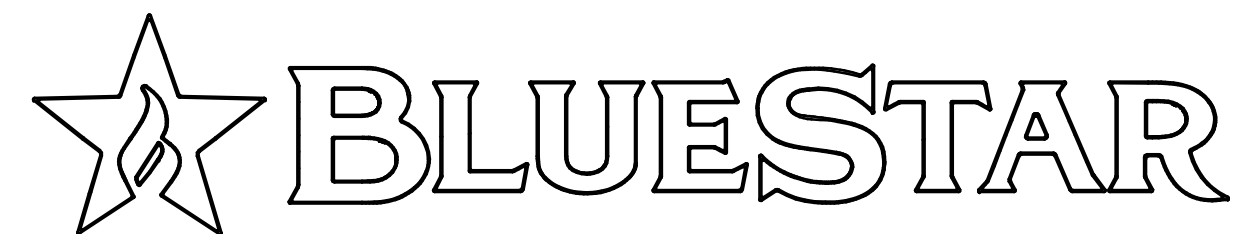


# HOOD DIMENSIONS - 4 options for blower discharge (size, orientation)

PROLINE (SHOWN)  
 INCLINE  
 HAMPTON  
 PYRAMID  
 BONANZA

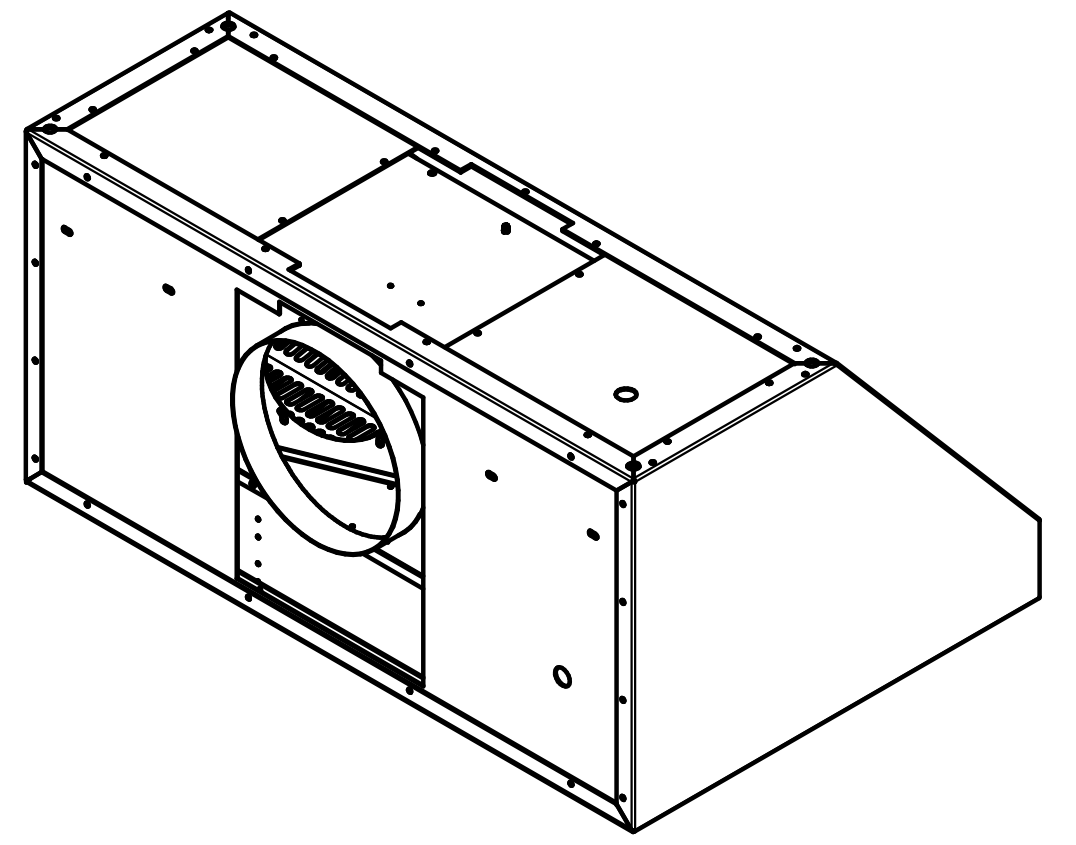
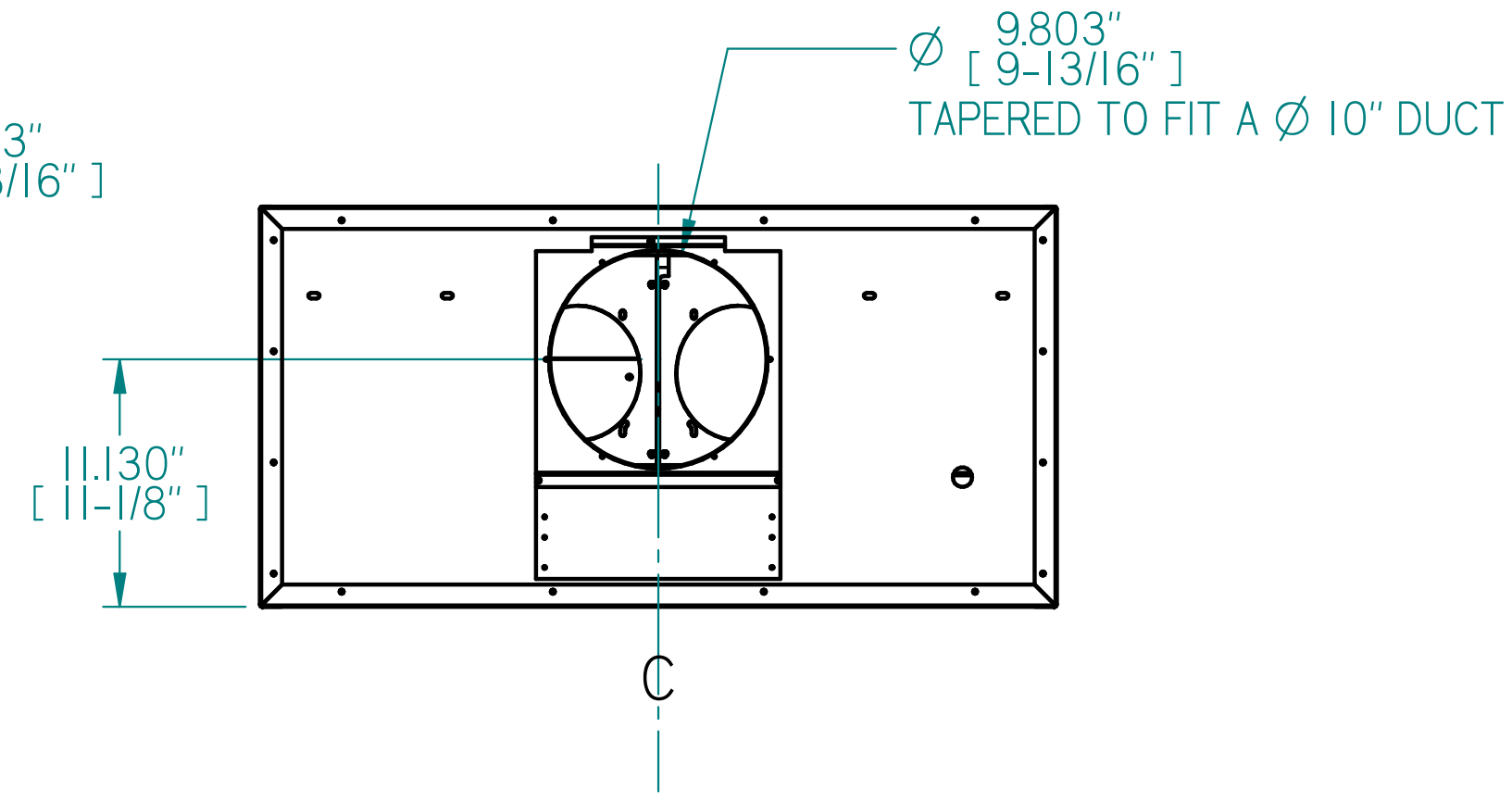
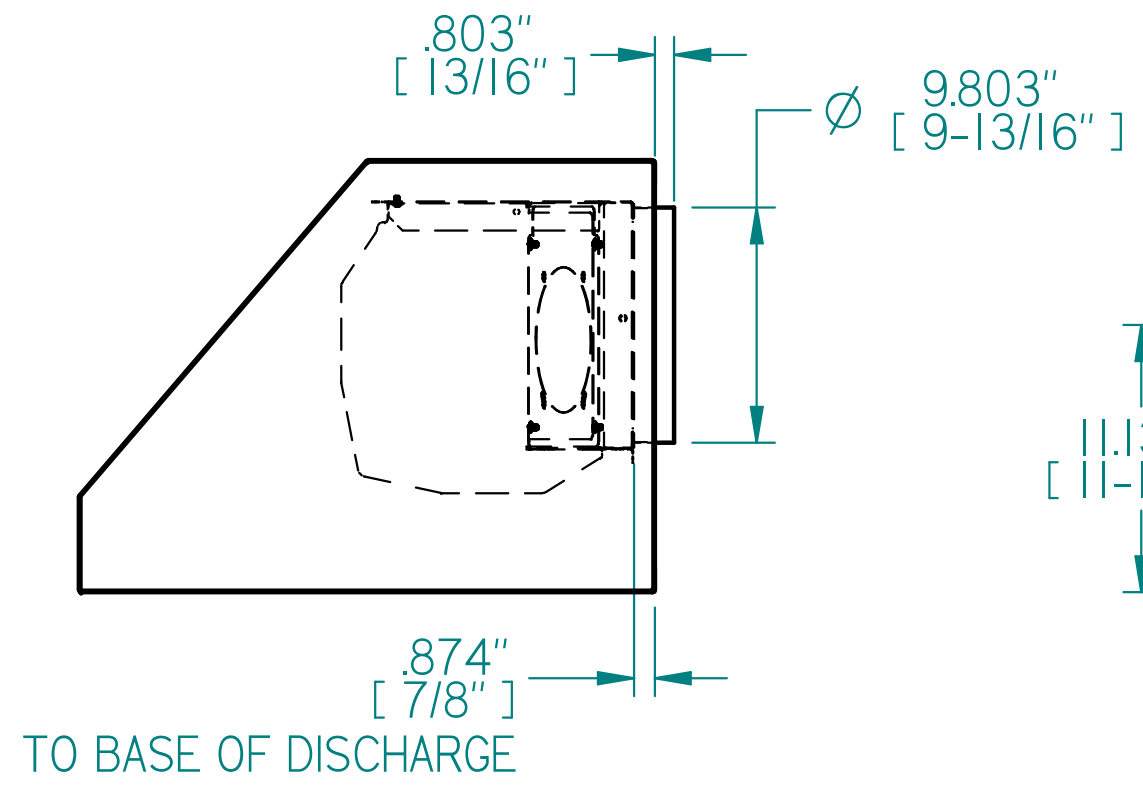
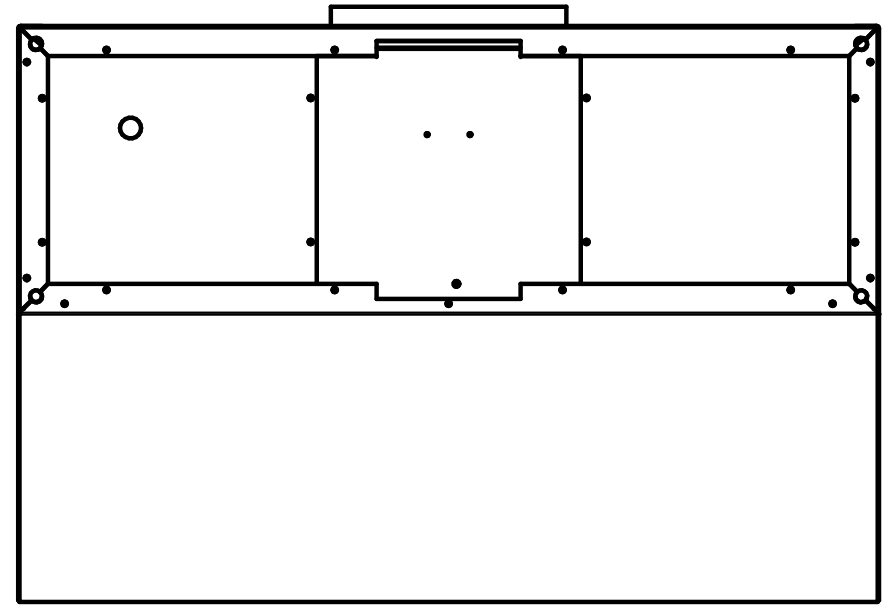
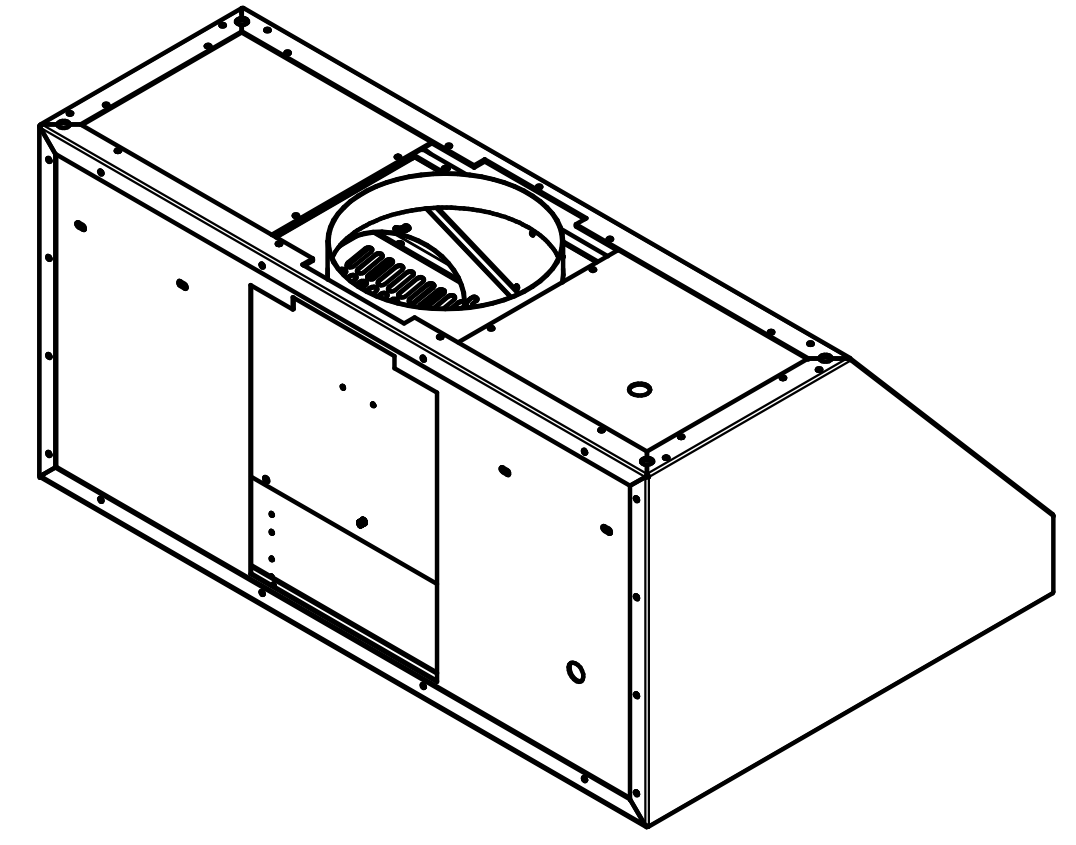
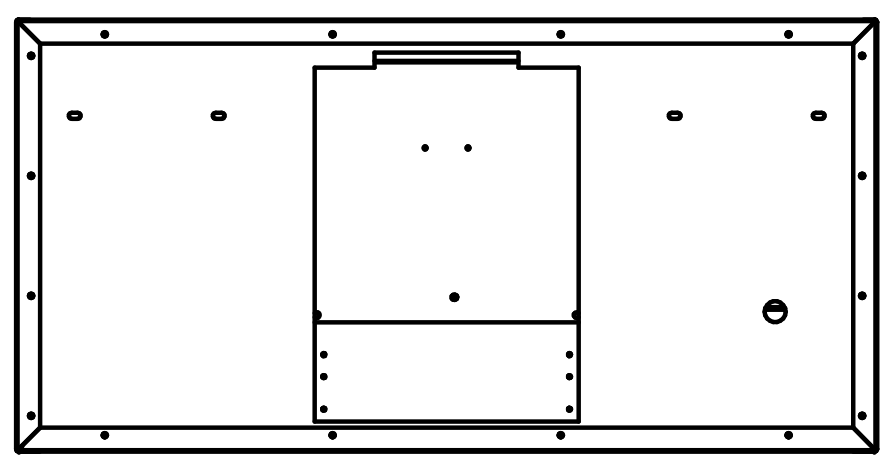
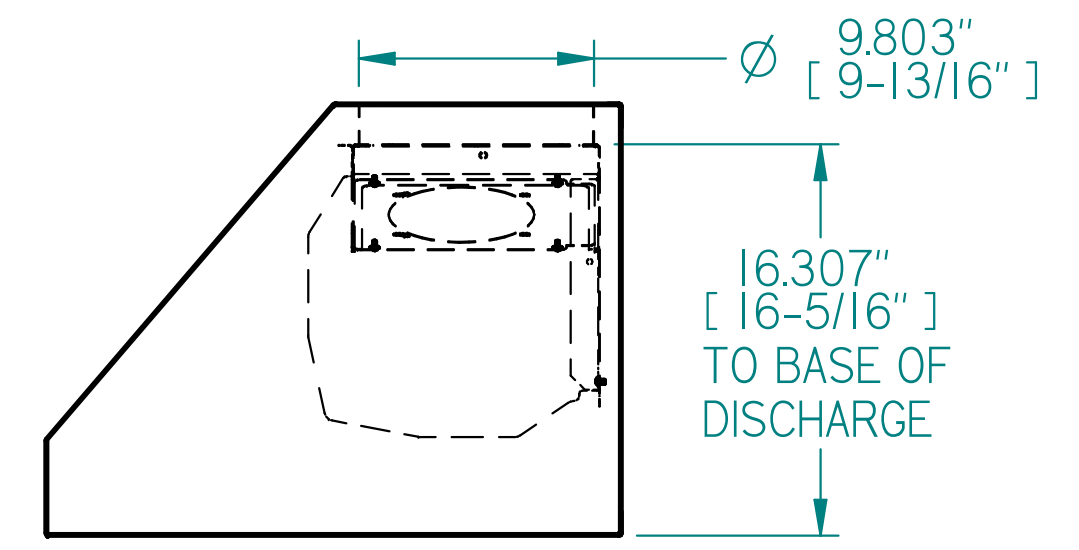
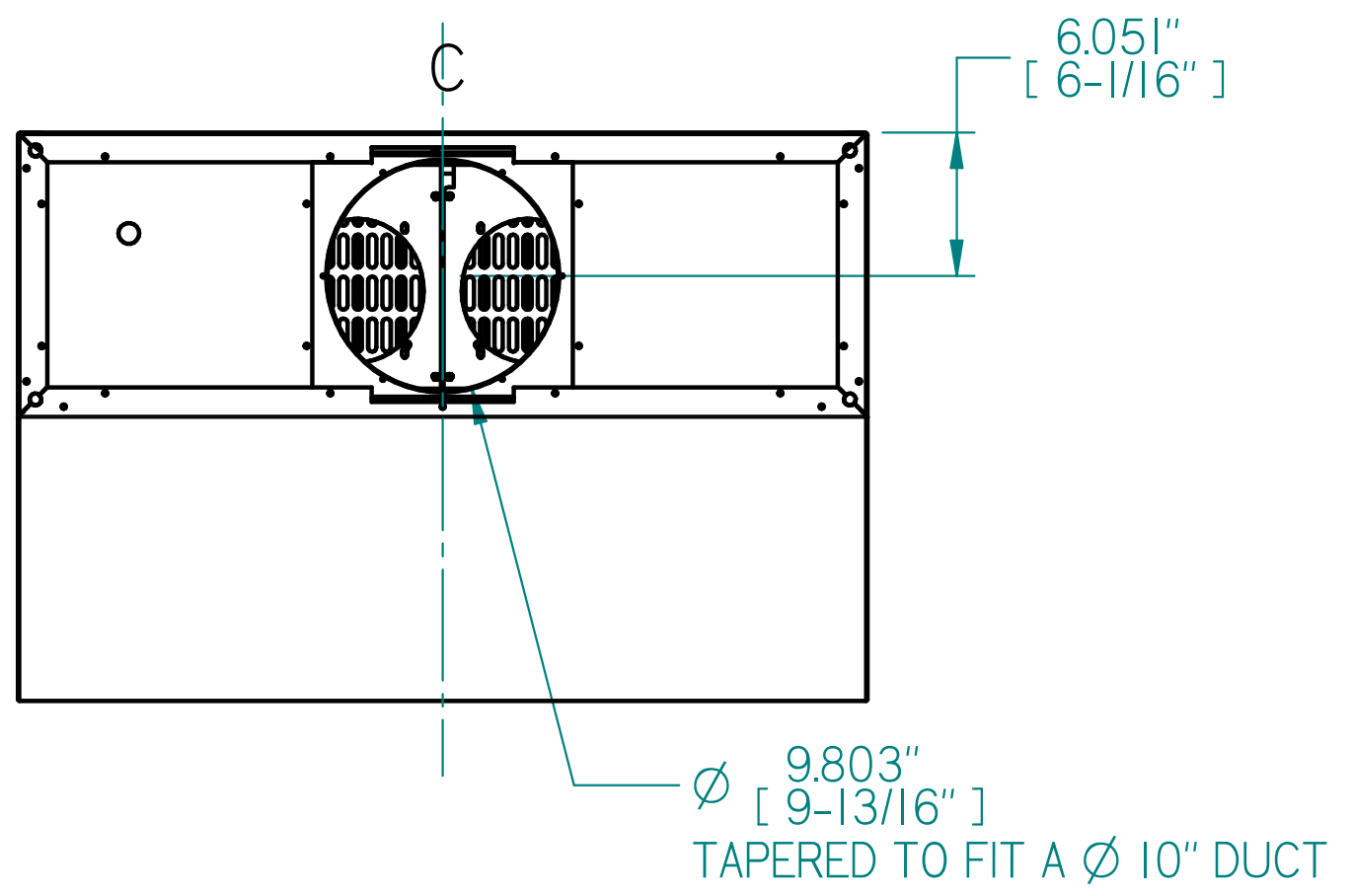
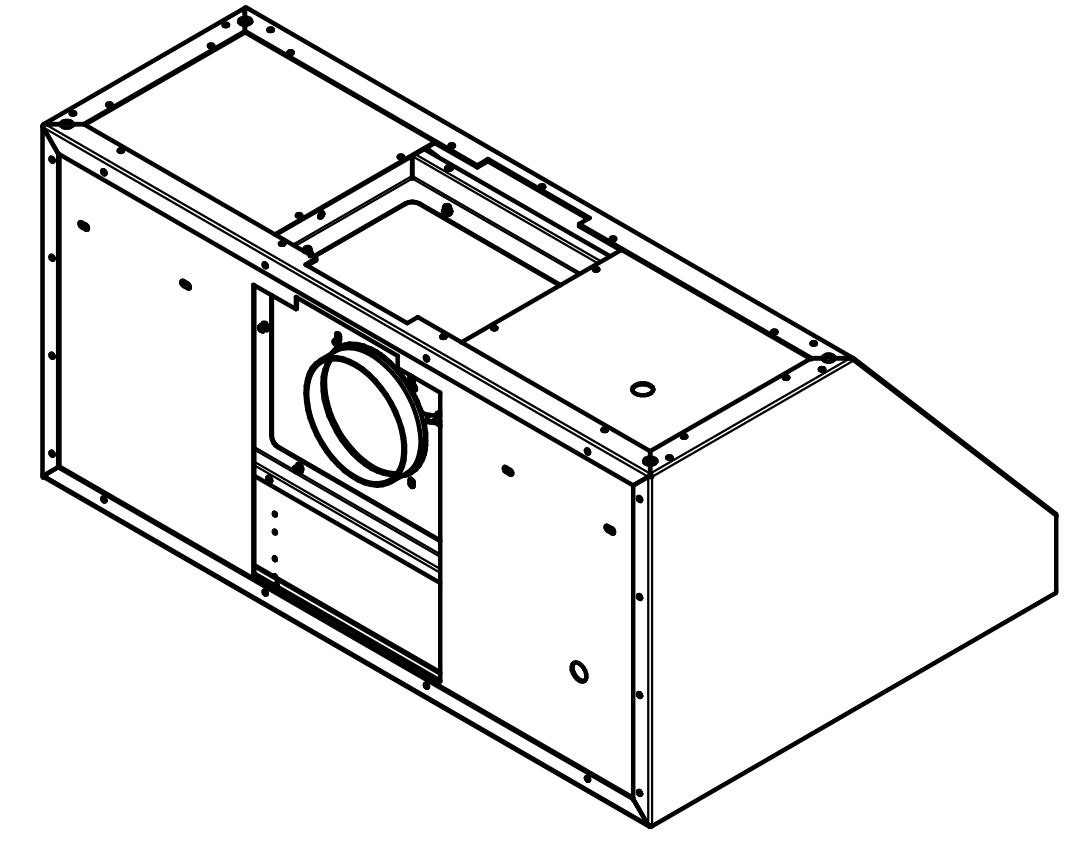
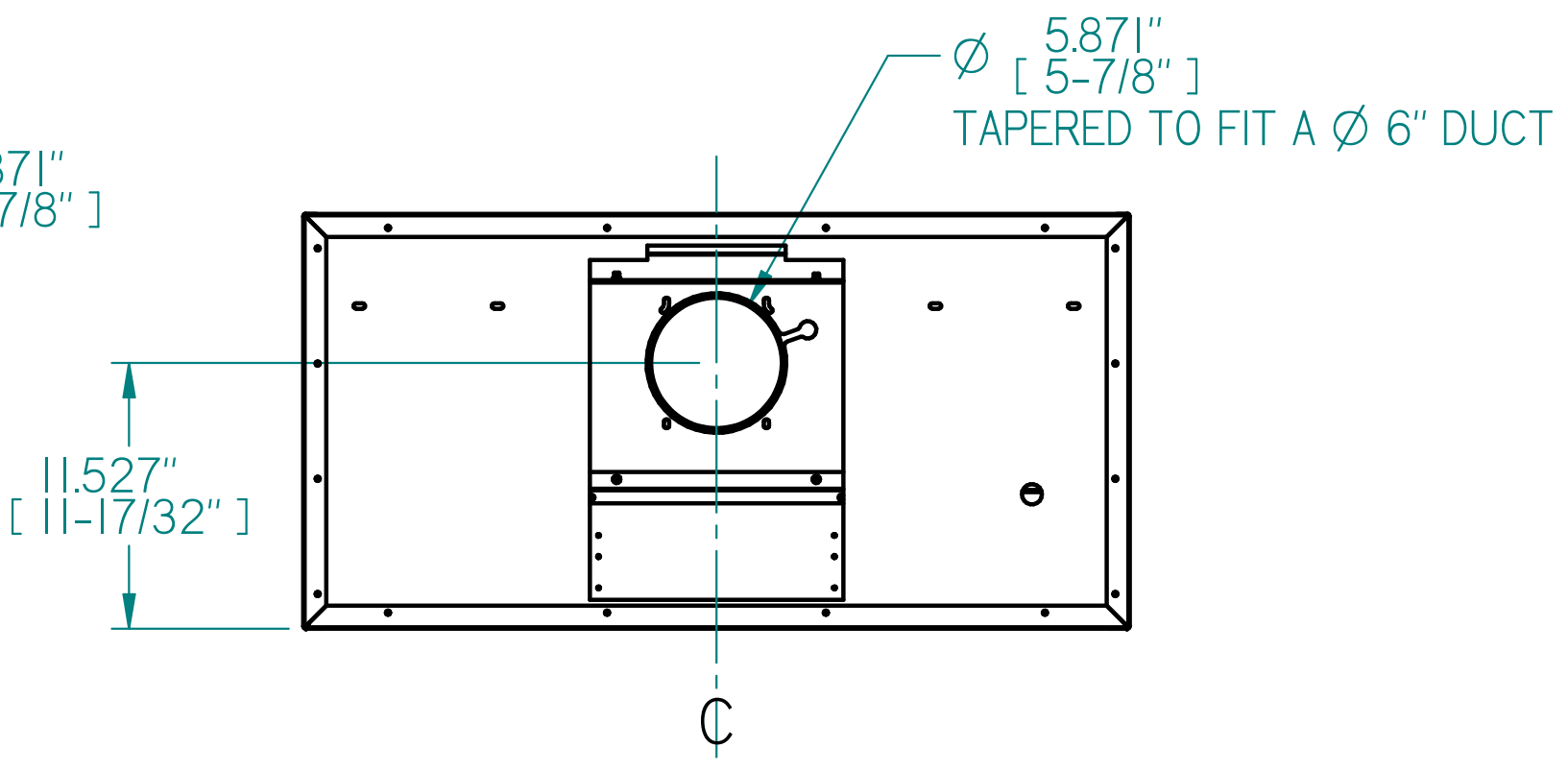
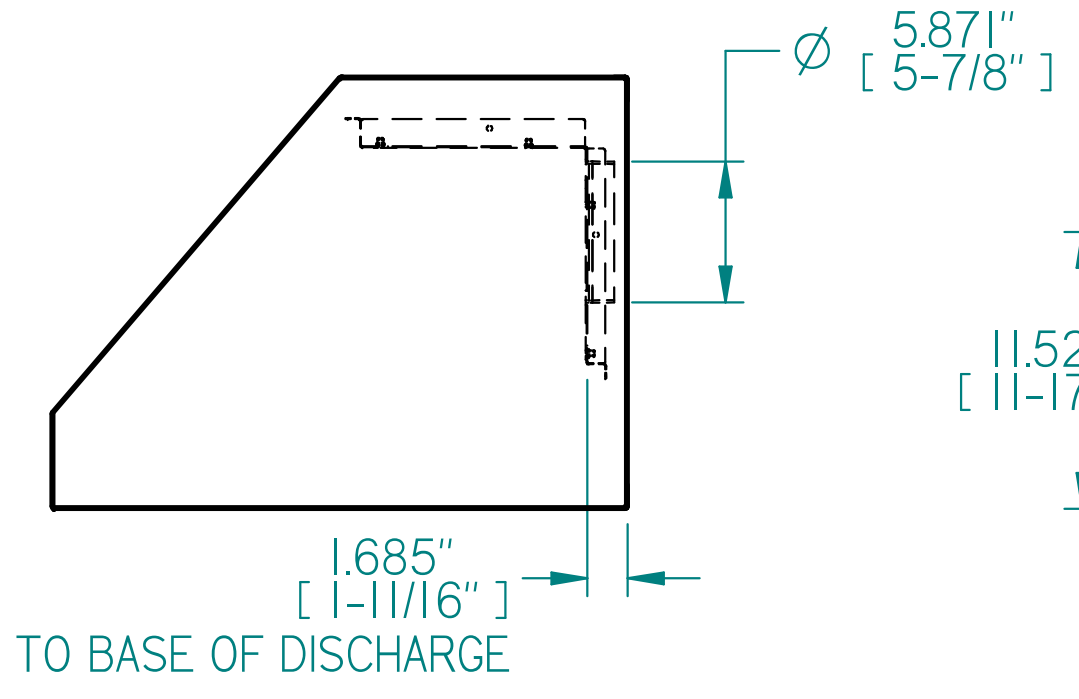
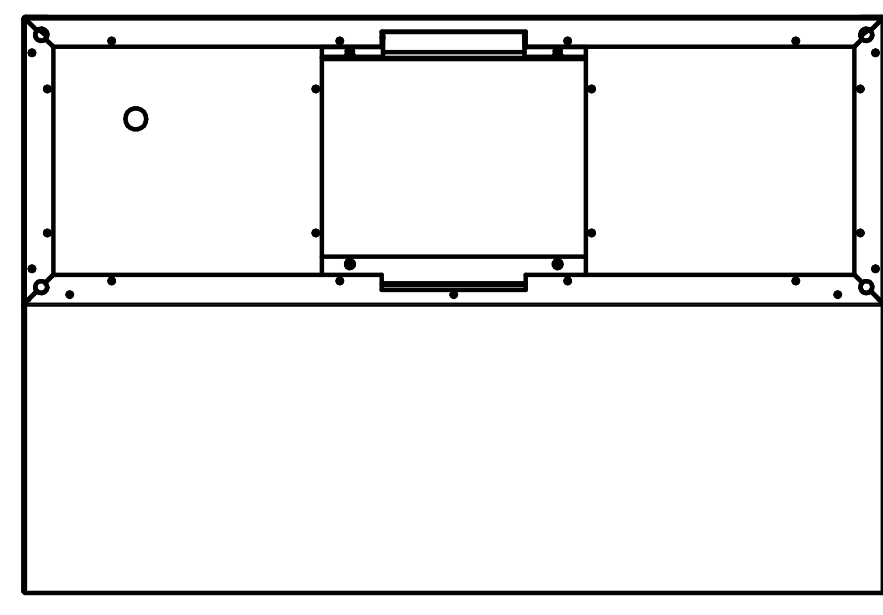
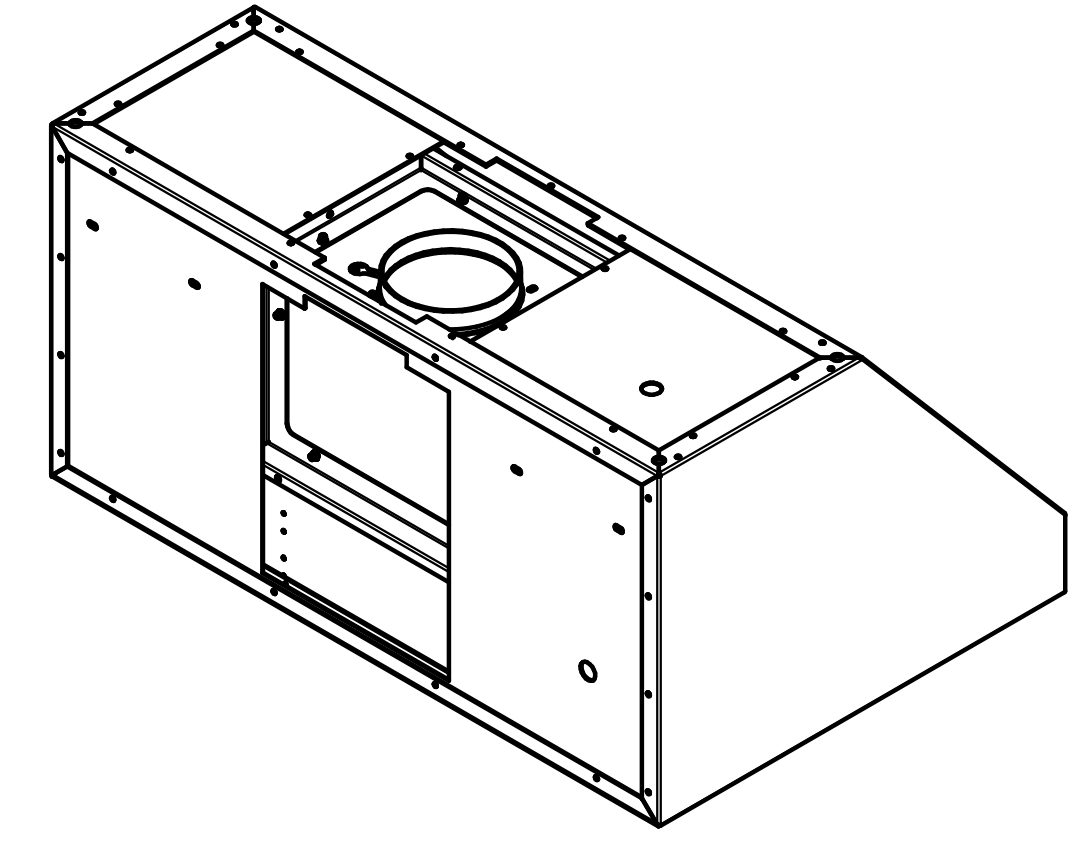
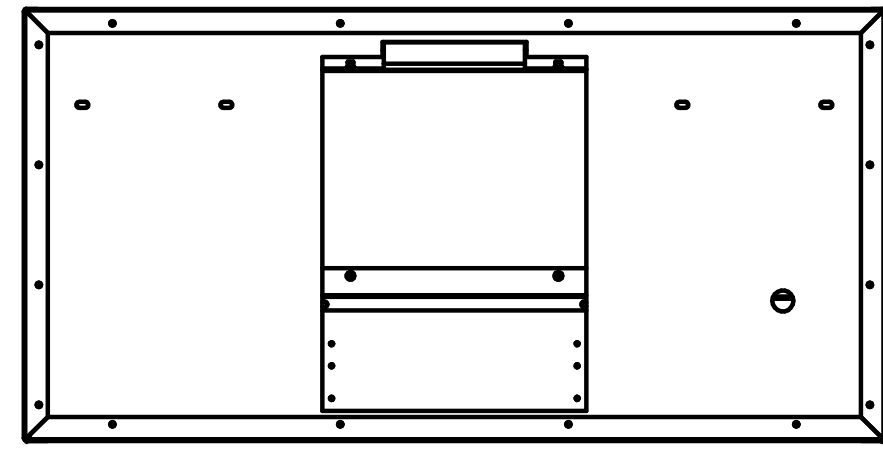
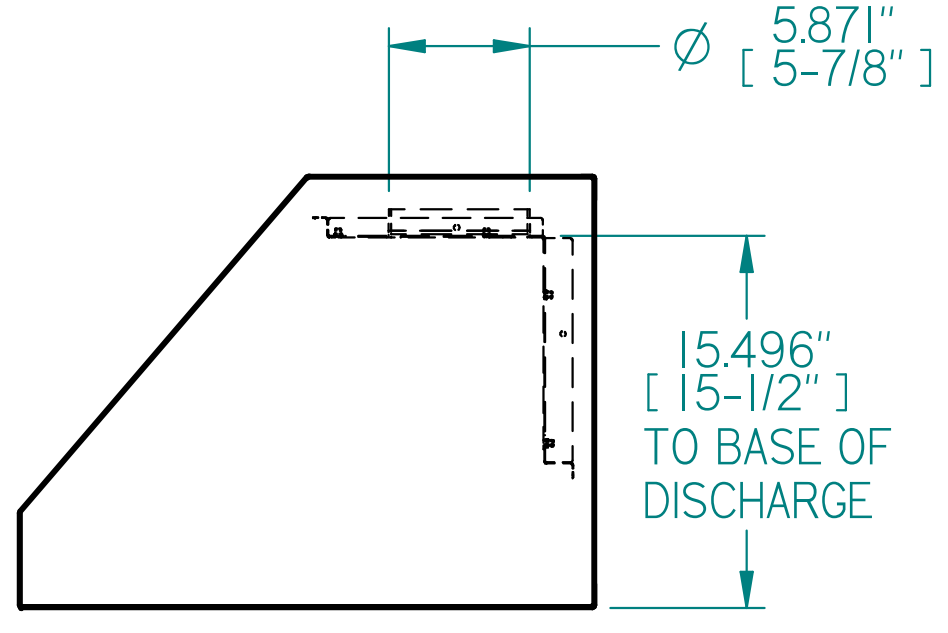
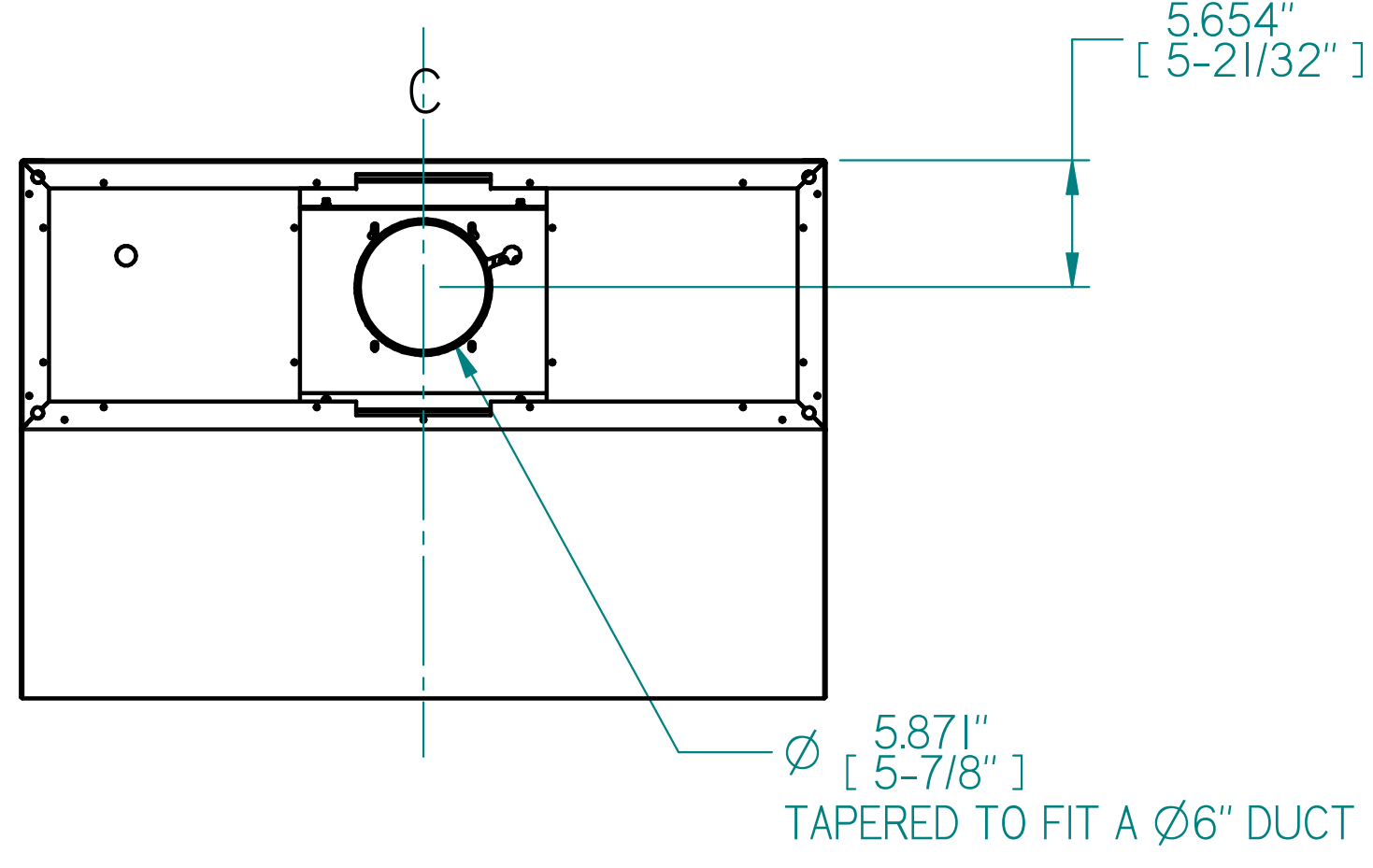


ISO VIEW  
 TOP/BACK/LEFT

TOP VIEW

RIGHT SIDE

BACK VIEW



TOP DISCHARGE  
 6" DUCT FOR:  
 • IN-HOOD 600 cfm BLOWER

REAR DISCHARGE  
 6" DUCT FOR:  
 • IN-HOOD 600 cfm BLOWER

TOP DISCHARGE  
 10" DUCT FOR:  
 • IN-HOOD 1200 cfm BLOWER  
 • REMOTE BLOWER  
 • IN-LINE BLOWER

REAR DISCHARGE  
 10" DUCT FOR:  
 • IN-HOOD 1200 cfm BLOWER  
 • REMOTE BLOWER  
 • IN-LINE BLOWER