

## H 7880 BPX - Graphite Grey 30" Convection Oven - ArtLine

### Features:

- M-Touch Display with Motion React - Simple to use touch controls
- FoodView and Miele@Home - see your food from anywhere with an in-oven camera
- Wireless precision probe - For simple and precise results
- Moisture Plus - a burst of steam for professional quality cooking results at home
- Direct Water - No need to fill any water tanks
- Unique handleless design - For a clean and refined look

### Included:

- 1 Perforated baking tray
- 1 Universal baking tray
- 2 Self Clean Ready Baking and Roasting Racks
- 1 Self Clean Ready Rack with rail system

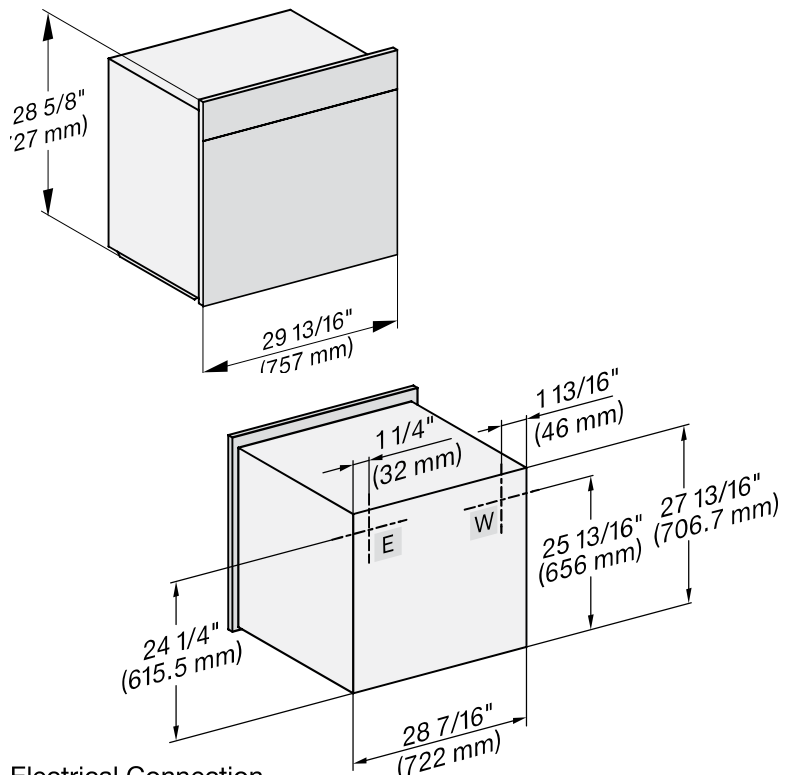


### MATERIAL #

11805630

| SPECIFICATIONS                   |  |
|----------------------------------|--|
| Overall Unit Dimensions          | 29 <sup>13</sup> / <sub>16</sub> " (757 mm) W x<br>28 <sup>5</sup> / <sub>8</sub> " (727 mm) H x<br>23 <sup>3</sup> / <sub>4</sub> " (603 mm) D  |
| Niche                            |  |
| Minimum Cabinet Niche Opening    | 28 <sup>1</sup> / <sub>2</sub> " (724 mm) W x<br>28 <sup>1</sup> / <sub>4</sub> " (718 mm) H x<br>24" (610 mm) D   |
| Plumbing                         |  |
| Water Supply Requirements        | <ul style="list-style-type: none"> <li>• Cold water connection</li> <li>• Male 3/8" compression fitting</li> <li>• Water pressure range 14.5 psi (1 bar) and 145 psi (10 bar)</li> </ul> |
| Water Connection Line (Supplied) | Length: 5 ft (1.5 m)<br>Female 3/8" compression.   |
| Electrical                       |  |
| Electrical Requirements          | 120/208-240V, 60Hz, 30 Amps  |
| Power Cord                       | NEMA 14-30 plug, 5 ft (1.52 m)   |
| Shipping                         |  |
| Shipping Weight                  | 215 lbs (98 kg)  |
| Shipping Dimensions              | 30 <sup>7</sup> / <sub>16</sub> " (776 mm) W x<br>35 <sup>3</sup> / <sub>4</sub> " (907 mm) H x<br>32 <sup>15</sup> / <sub>16</sub> " (836 mm) D   |

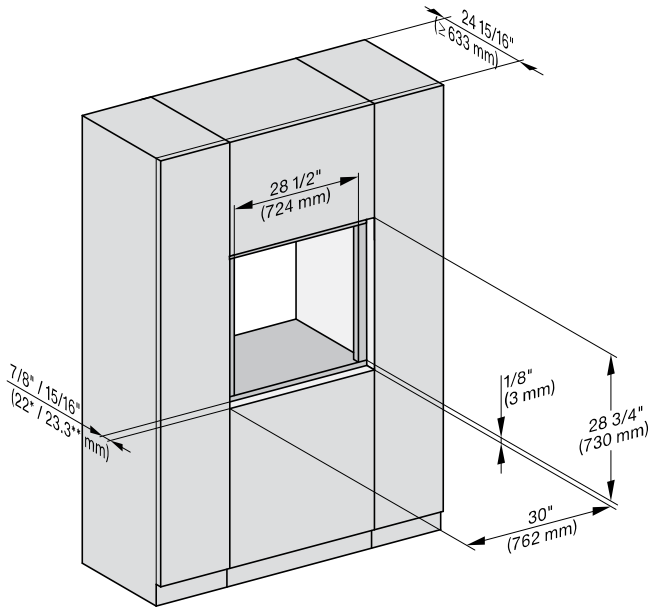
### PRODUCT DIMENSIONS



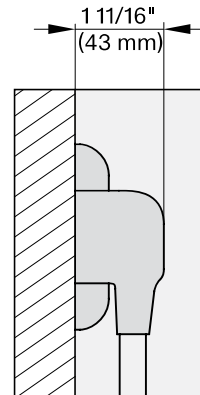
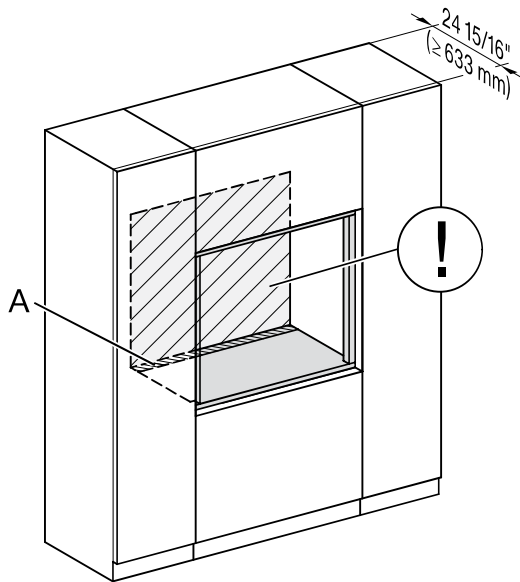
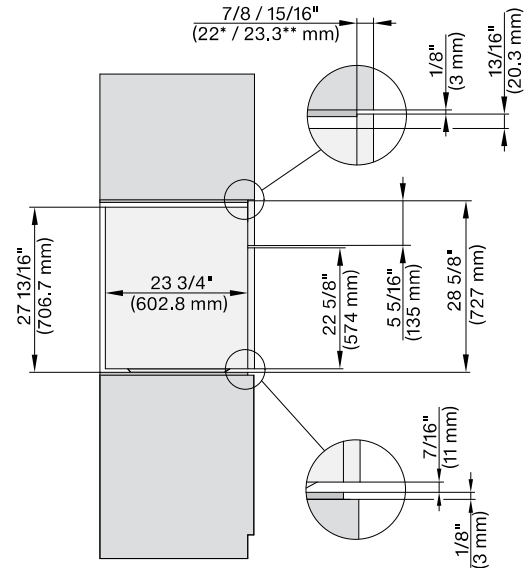
E = Electrical Connection  
W = Water Connection

## FLUSH CUTOUT DIMENSIONS

Front View



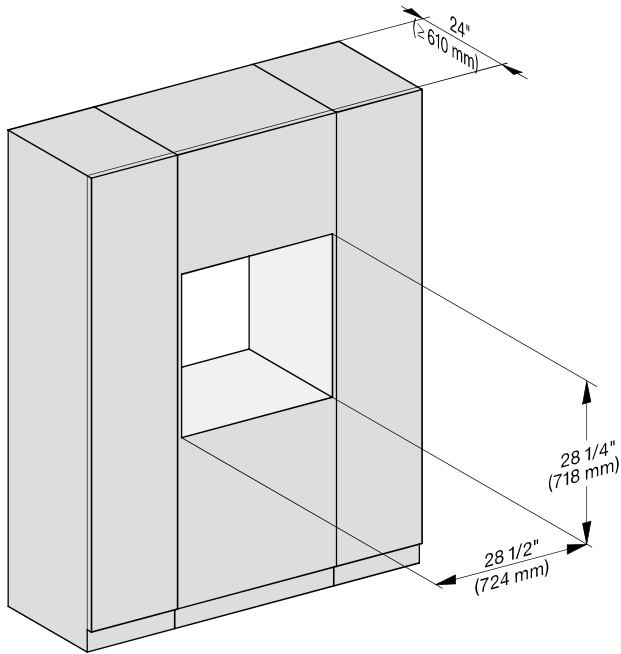
Side View



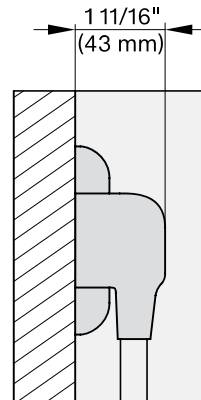
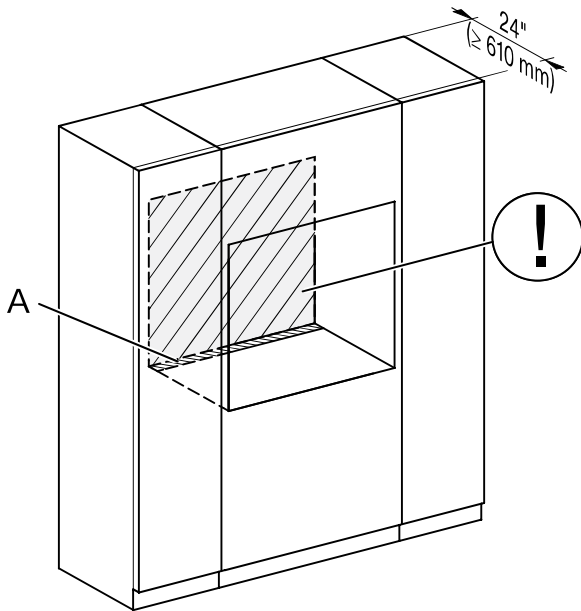
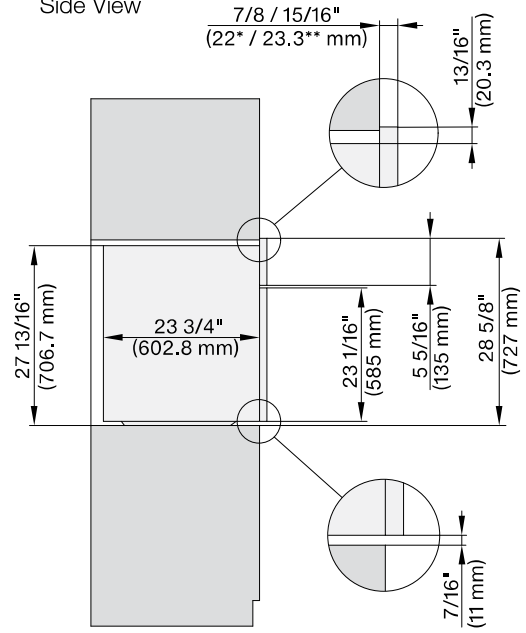
- A - Cut-out (4" x 28" [100 mm x 720 mm]) in the bottom of the cabinet for the power cord and Ventilation
- ⚠ - Electrical and water supplies are recommended to be placed in adjacent cabinetry.  
Additional cabinet depth is required when placing the electrical and water supplies behind the appliance.

## PROUD CUTOUT DIMENSIONS

Front View



Side View



A - Cut-out (4" x 28" [100 mm x 720 mm]) in the bottom of the cabinet for the power cord and Ventilation

⚠ - Electrical and water supplies are recommended to be placed in adjacent cabinetry.

Additional cabinet depth is required when placing the electrical and water supplies behind the appliance.