

## H 7263 BP

### 24" Convection Oven - PureLine

#### Features:

- DirectSensor S - Intuitive touch controls
- Miele@Home - Control the appliances with your app
- Automatic programs - easily master new recipes
- Self Cleaning Oven

#### Included:

- 1 Universal baking tray
- 1 Self Clean Ready Baking and Roasting Rack

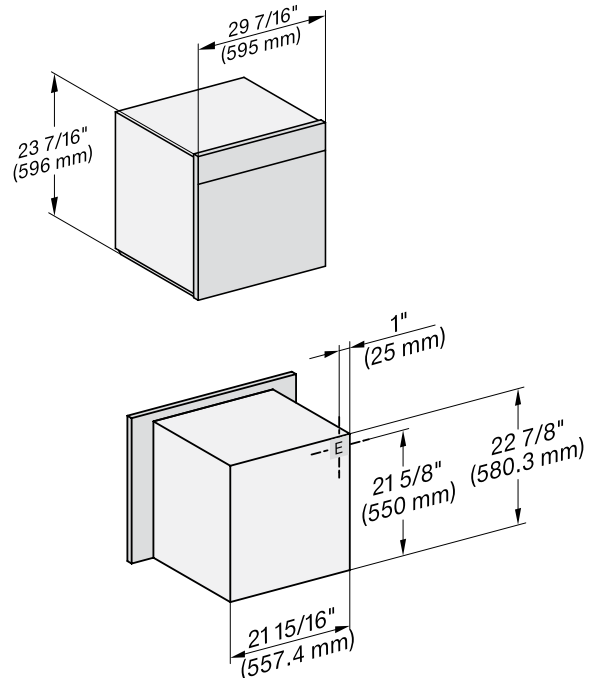


#### MATERIAL #

11804760

SPECIFICATIONS	
Overall Unit Dimensions	23 <sup>7</sup> / <sub>16</sub> " (595 mm) W x 23 <sup>7</sup> / <sub>16</sub> " (596 mm) H x 21 <sup>1</sup> / <sub>2</sub> " (546 mm) D
<b>Niche</b>	
Minimum Cabinet Niche Opening	22 <sup>1</sup> / <sub>8</sub> " (562 mm) W x 23 <sup>1</sup> / <sub>4</sub> " (590 mm) H x 24" (610 mm) D
<b>Electrical</b>	
Electrical Requirements	120/208-240V, 60Hz, 30 Amps
Power Cord	NEMA 14-30 plug, 5 ft (1.52 m)
<b>Shipping</b>	
Shipping Weight	119 lbs (54 kg)
Shipping Dimensions	27 <sup>1</sup> / <sub>8</sub> " (698 mm) W x 29 <sup>7</sup> / <sub>16</sub> " (747 mm) H x 26 <sup>7</sup> / <sub>16</sub> " (671 mm) D

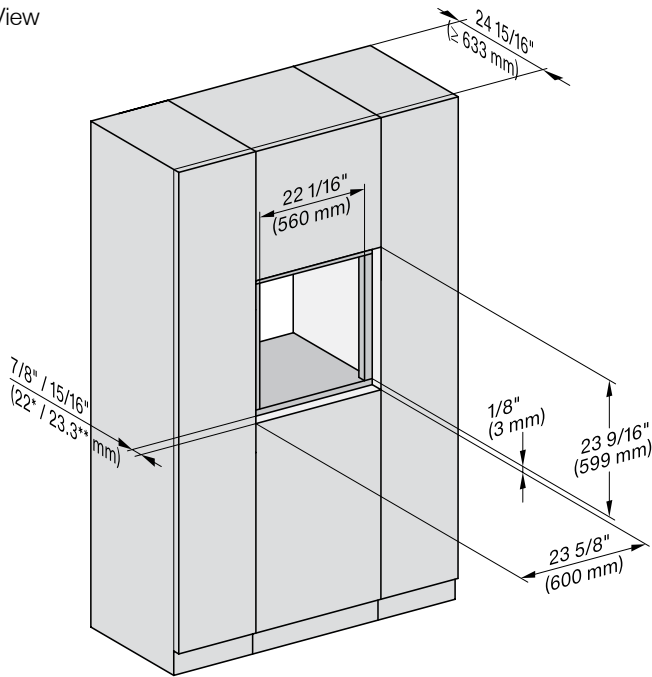
#### PRODUCT DIMENSIONS



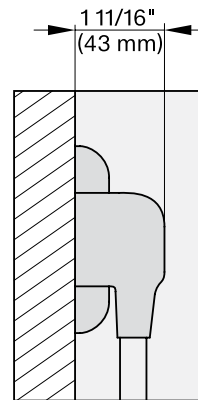
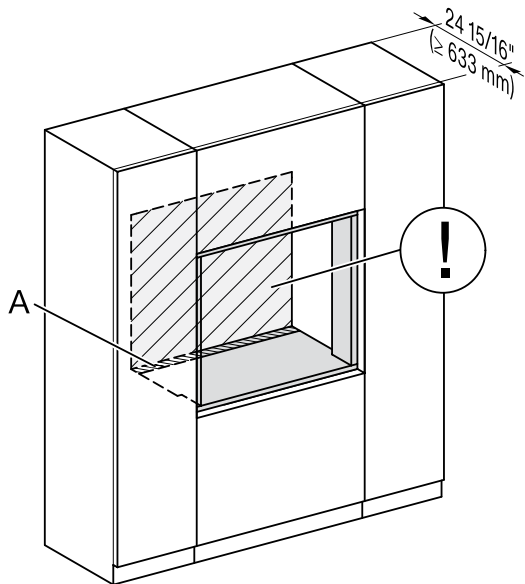
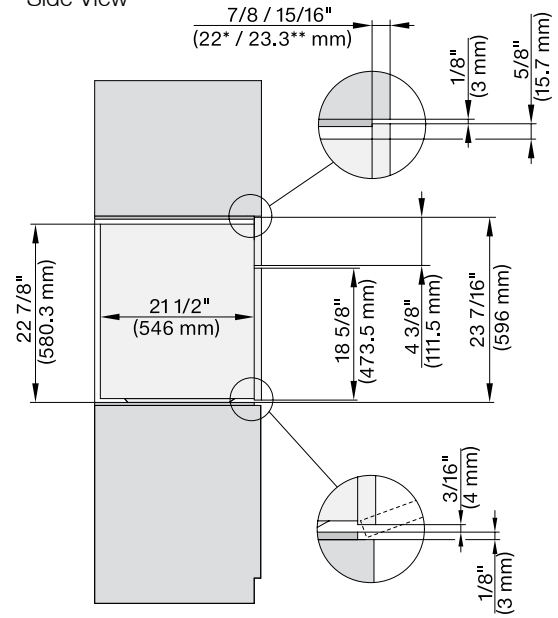
E = Electrical Connection

## FLUSH CUTOUT DIMENSIONS

Front View



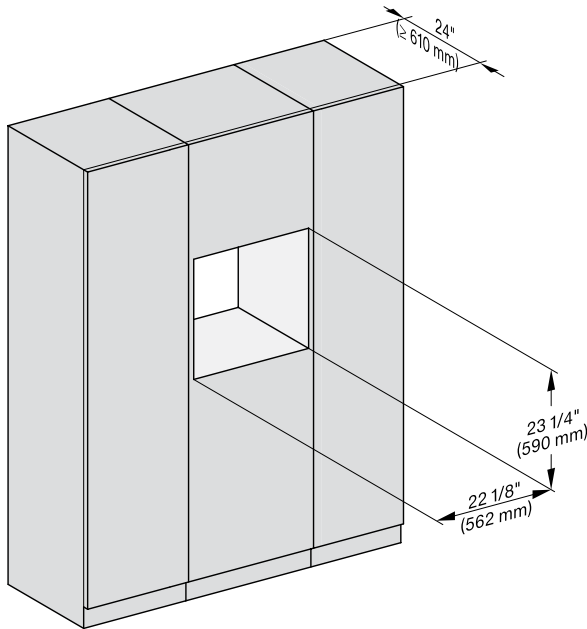
Side View



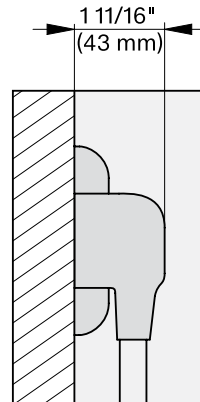
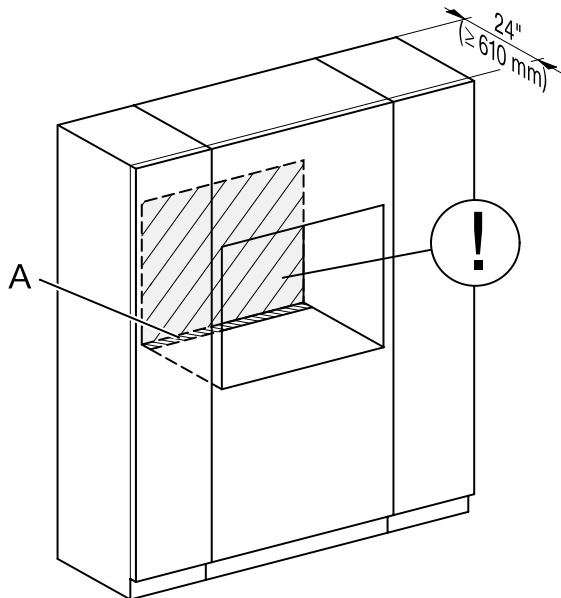
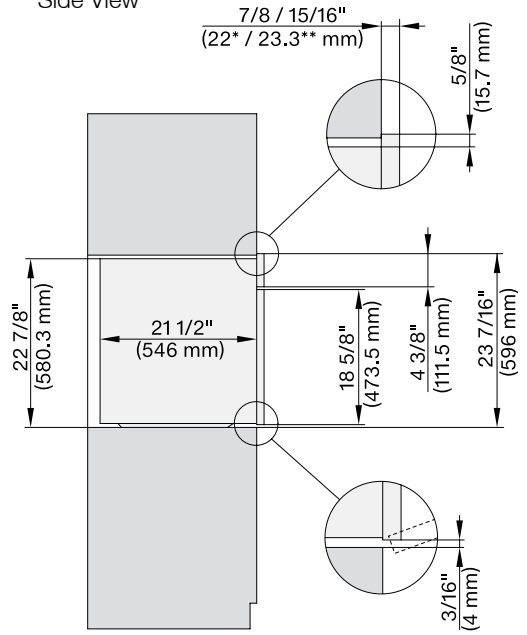
- A - Cut-out (4" x 28" [100 mm x 720 mm]) in the bottom of the cabinet for the power cord and Ventilation
- ⓘ - Electrical and water supplies are recommended to be placed in adjacent cabinetry.  
Additional cabinet depth is required when placing the electrical and water supplies behind the appliance.

## PROUD CUTOUT DIMENSIONS

Front View



Side View



A - Cut-out (4" x 28" [100 mm x 720 mm]) in the bottom of the cabinet for the power cord and Ventilation

ⓘ - Electrical and water supplies are recommended to be placed in adjacent cabinetry.

Additional cabinet depth is required when placing the electrical and water supplies behind the appliance.