

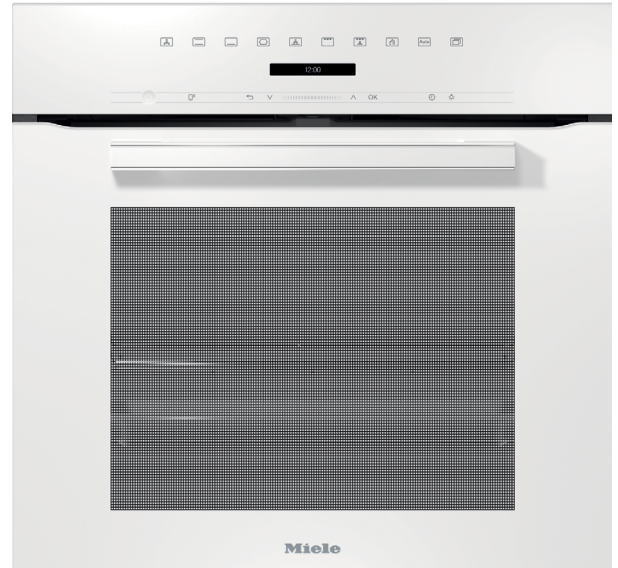
H 7263 BP - Brilliant White 24" Convection Oven - VitroLine

Features:

- DirectSensor S - Intuitive touch controls
- Miele@Home - Control the appliances with your app
- Automatic programs - easily master new recipes
- Self Cleaning Oven

Included:

- 1 Universal baking tray
- 1 Self Clean Ready Baking and Roasting Rack

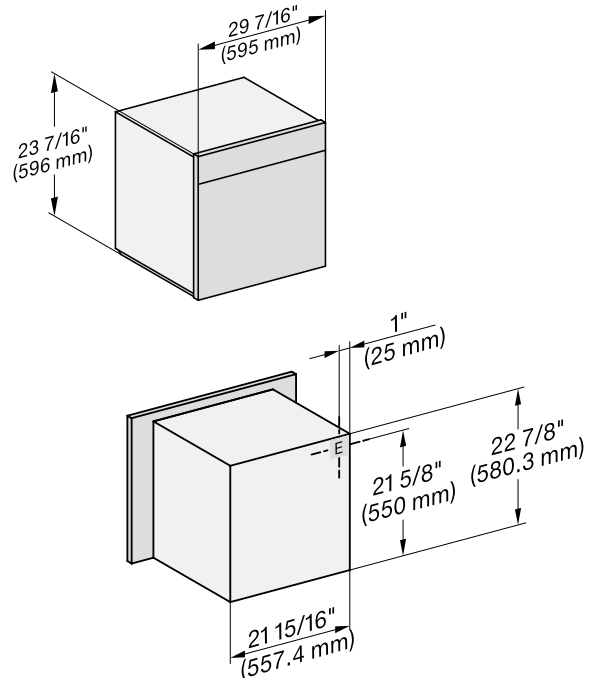


MATERIAL

11804750

SPECIFICATIONS	
Overall Unit Dimensions	23 ⁷ / ₁₆ " (595 mm) W x 23 ⁷ / ₁₆ " (596 mm) H x 21 ¹ / ₂ " (546 mm) D
Niche	
Minimum Cabinet Niche Opening	22 ¹ / ₈ " (562 mm) W x 23 ¹ / ₄ " (590 mm) H x 24" (610 mm) D
Electrical	
Electrical Requirements	120/208-240V, 60Hz, 30 Amps
Power Cord	NEMA 14-30 plug, 5 ft (1.52 m)
Shipping	
Shipping Weight	119 lbs (54 kg)
Shipping Dimensions	27 ¹ / ₈ " (698 mm) W x 29 ⁷ / ₁₆ " (747 mm) H x 26 ⁷ / ₁₆ " (671 mm) D

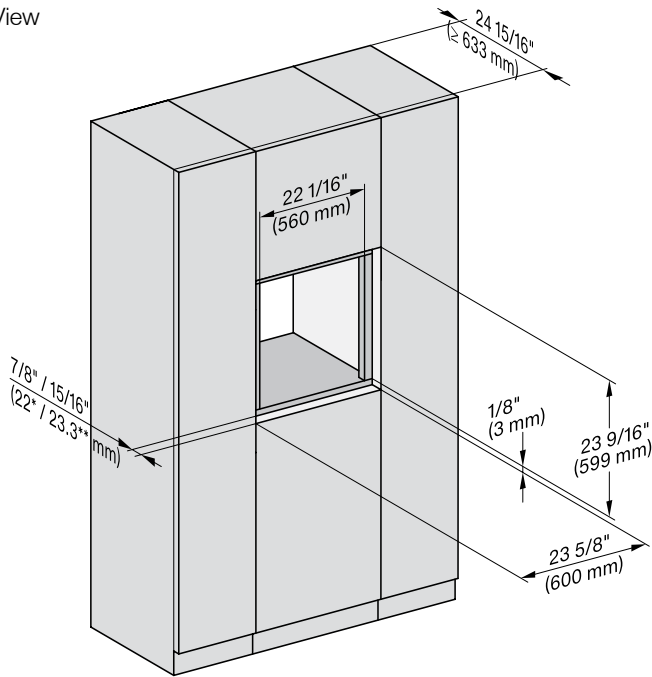
PRODUCT DIMENSIONS



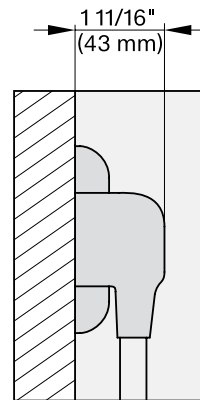
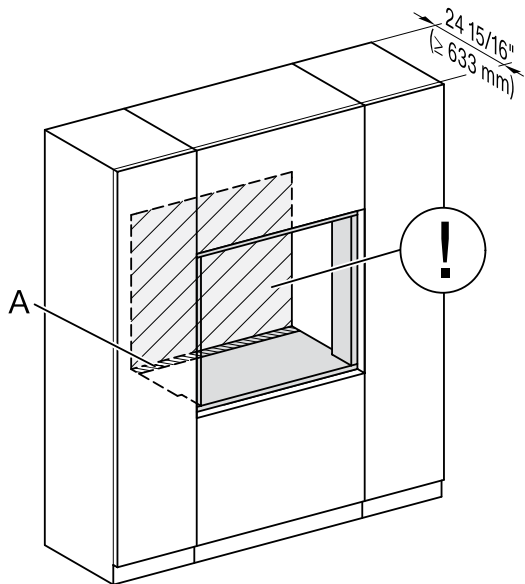
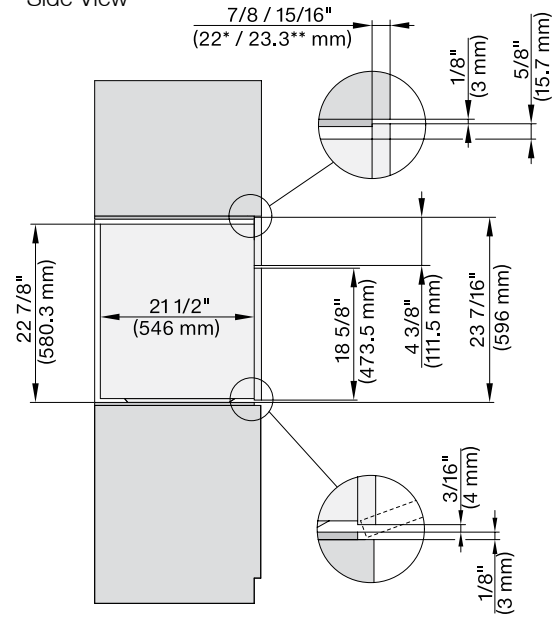
E = Electrical Connection

FLUSH CUTOUT DIMENSIONS

Front View



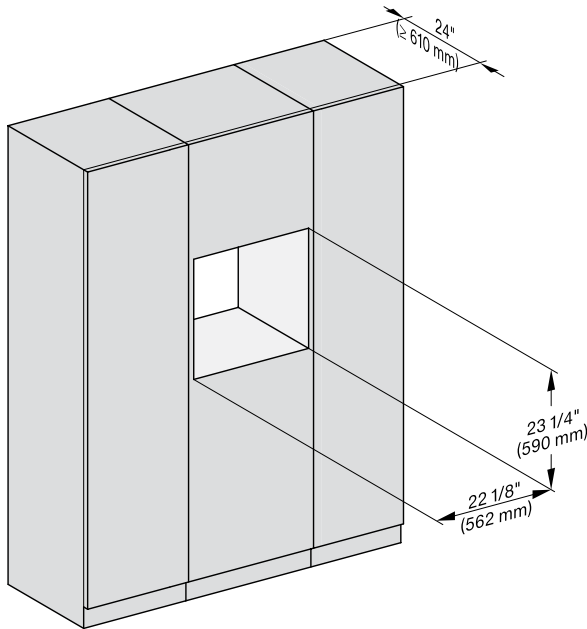
Side View



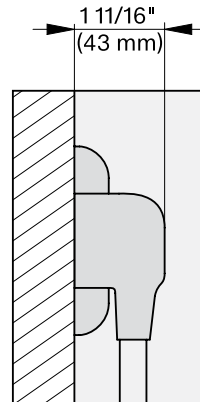
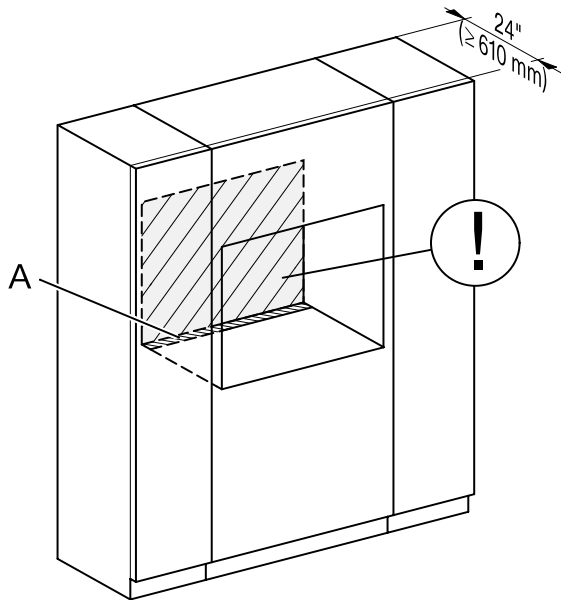
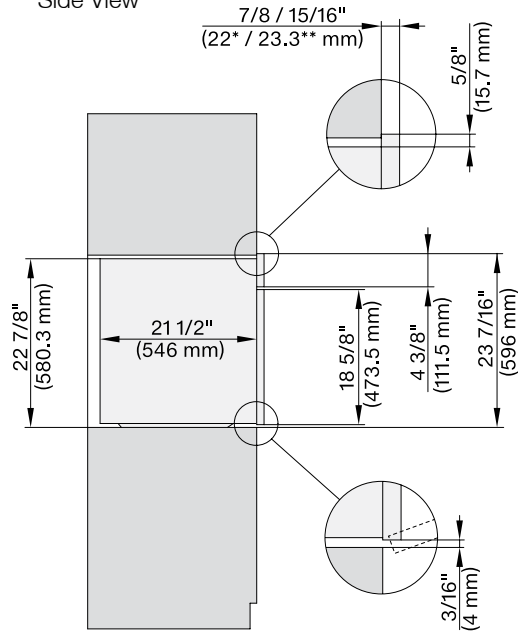
- A - Cut-out (4" x 28" [100 mm x 720 mm]) in the bottom of the cabinet for the power cord and Ventilation
- ⓘ - Electrical and water supplies are recommended to be placed in adjacent cabinetry.
Additional cabinet depth is required when placing the electrical and water supplies behind the appliance.

PROUD CUTOUT DIMENSIONS

Front View



Side View



A - Cut-out (4" x 28" [100 mm x 720 mm]) in the bottom of the cabinet for the power cord and Ventilation

ⓘ - Electrical and water supplies are recommended to be placed in adjacent cabinetry.

Additional cabinet depth is required when placing the electrical and water supplies behind the appliance.