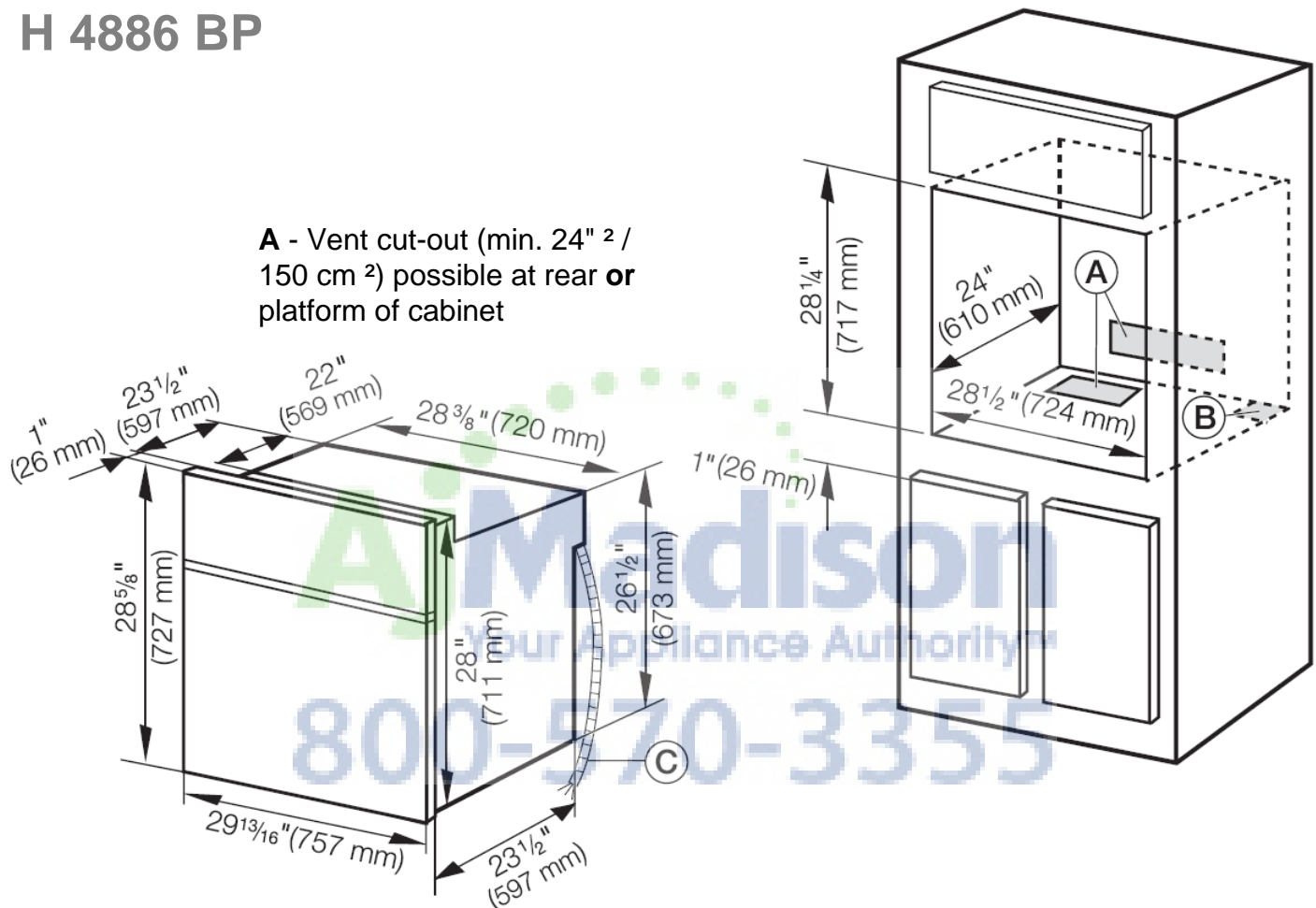


## Product and Cut-out Dimensions

### 30" Single Oven

H 4884 BP

H 4886 BP



#### Location Codes

- B - Cut-out for power cord (min. 1" <sup>2</sup> / 3 cm <sup>2</sup>)
- C - 5 foot electrical main with pigtail connects upper rear right side
- 208 - 240 Volt - 30 Amp connection box with 4 wires (2 lives / N / ground)
- Location must be accessible

Height to base of oven  
 Locate 30" - 33" from floor  
 Based on user height of 5'6" to 5'10"

#### Notes

All installations must be done in accordance with local codes.

Note: Drawing is not to scale

Specification Sheets OJS 09102011

## Product and Cut-out Dimensions

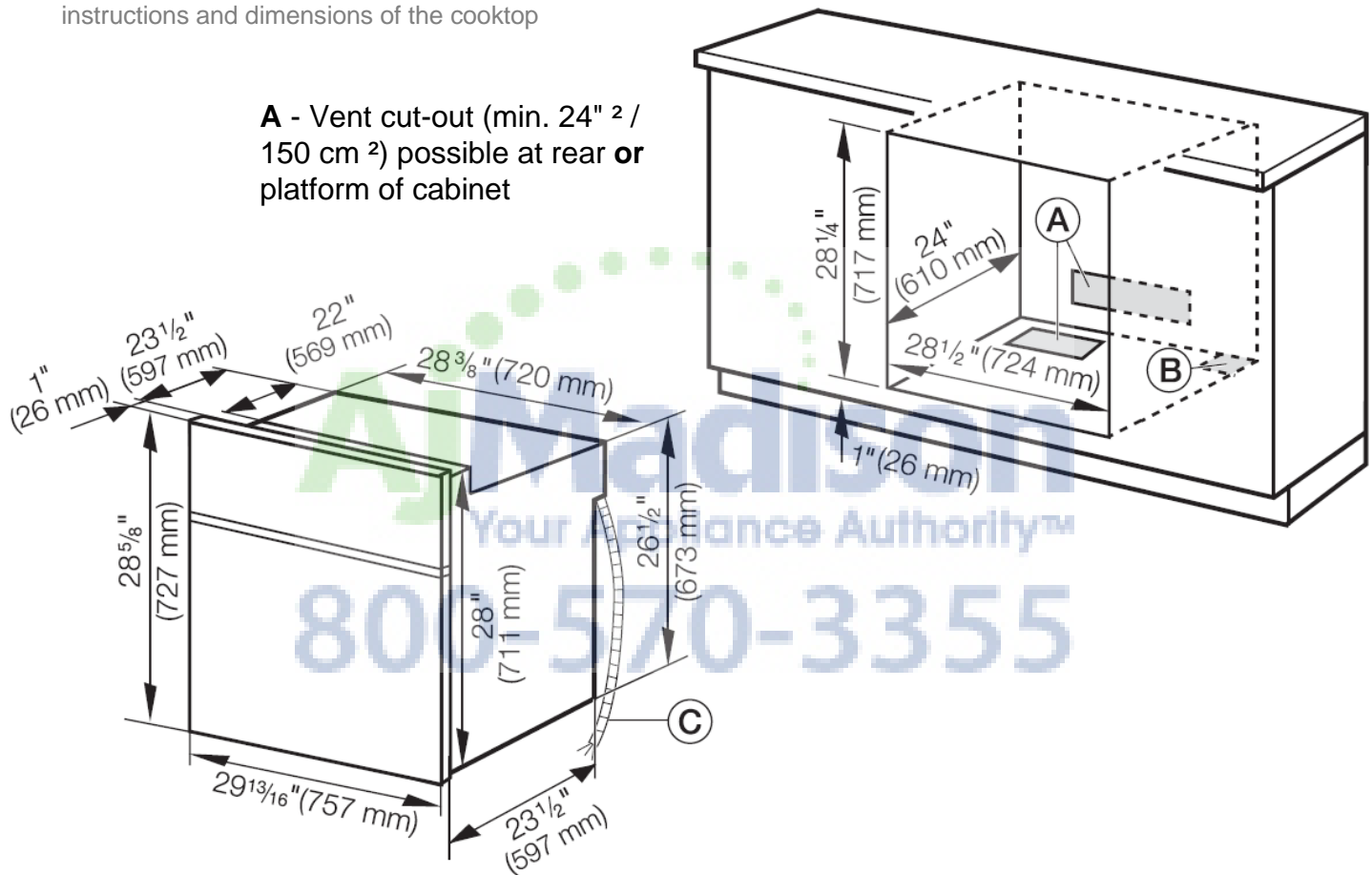
### 30" Single Oven

H 4884 BP

H 4886 BP

When installed under a cooktop regard the installation instructions and dimensions of the cooktop

**A** - Vent cut-out (min. 24" <sup>2</sup> / 150 cm <sup>2</sup>) possible at rear or platform of cabinet



#### Location Codes

- B - Cut-out for power cord (min. 1" <sup>2</sup> / 3 cm <sup>2</sup>)
- C - 5 foot electrical main with pigtail connects upper rear right side  
208 - 240 Volt - 30 Amp connection box with 4 wires (2 lives / N / ground)  
Location must be accessible  
Height – Refer to undercounter install sheet.

#### Notes

All installations must be done in accordance with local codes.

Note: Drawing is not to scale

Specification Sheets OJS 09102011