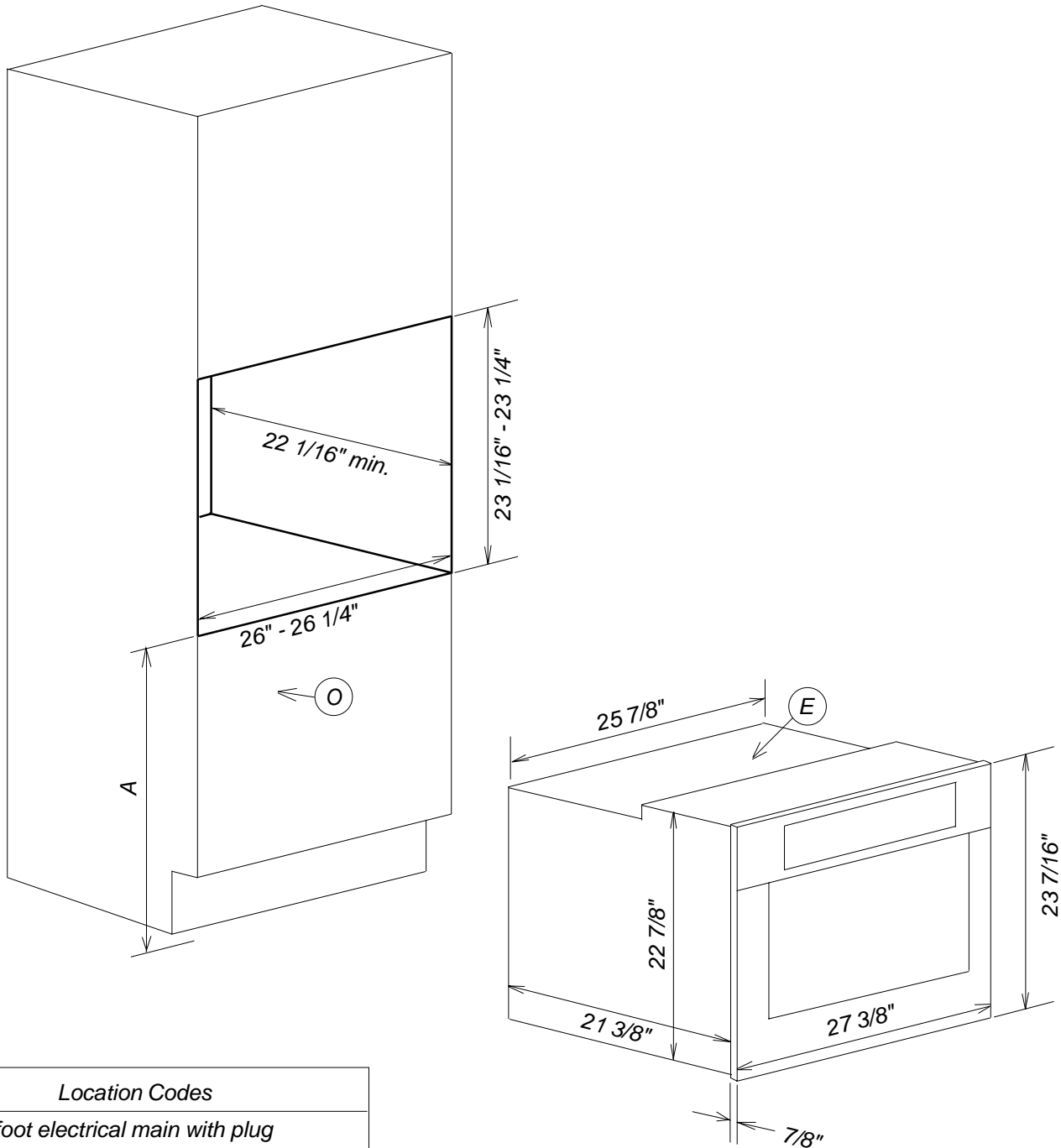


# Product and Cut-out Dimensions

## 70 cm Single Oven

### H4780B / H4780BP



Location Codes
E - 5 foot electrical main with plug connects top center.
O - 208-240 Volt - 20 Amp - 4-wire connection with NEMA 14-30R. Location must be accessible.
A - Height to base of oven Locate 34 5/8" - 36" from floor. Based on user height of 5'6" to 5'10"
Notes
• All installations must be done in accordance with local codes.

NOTE: Drawing is not to scale.  
SPECIFICATION SHEETS 010305