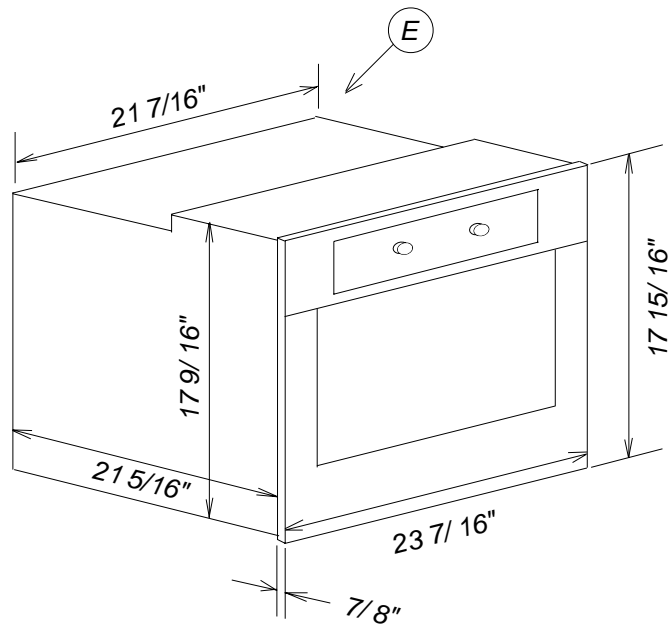
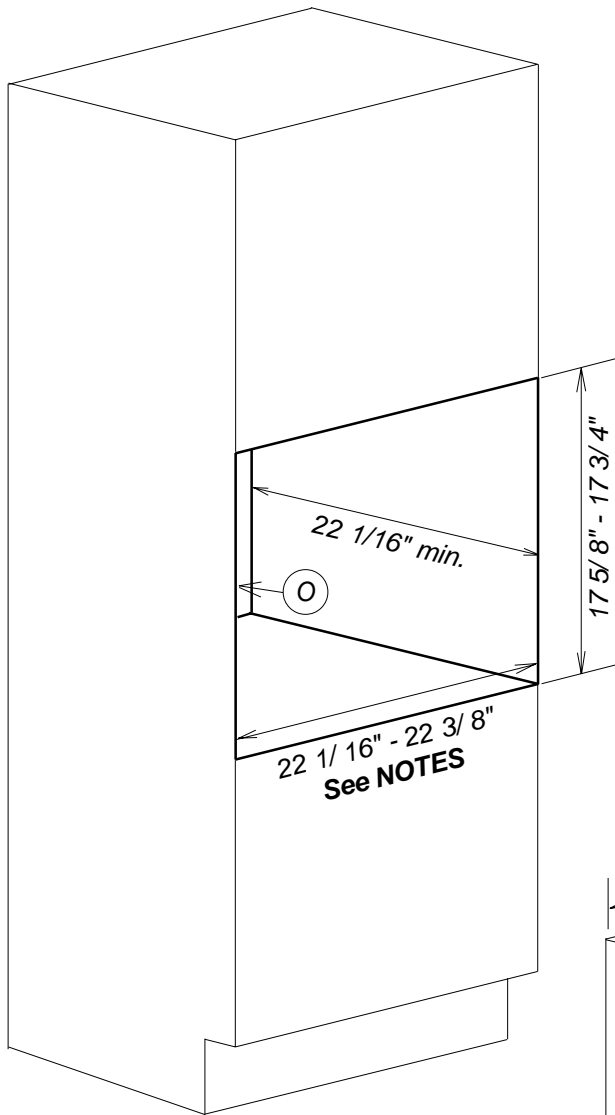


# Product and Cut-out Dimensions Combination Microwave Oven H4042BM

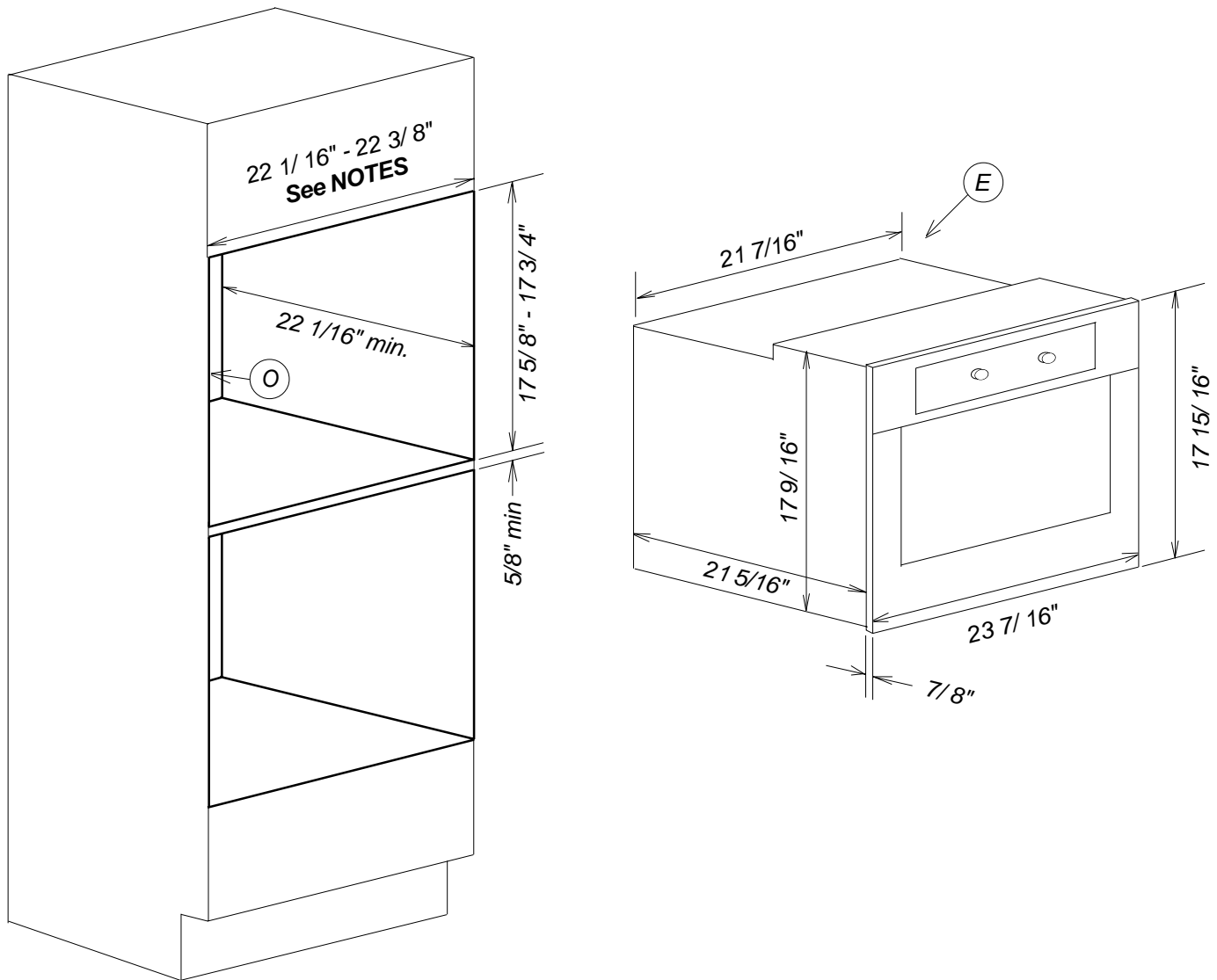


Location Codes	
E	5 foot electrical main with plug connects upper rear right side
O	208 - 240 Volt - 20 Amp 4 wire connection with NEMA 14-30R. Location must be accessible
Notes	
<ul style="list-style-type: none"> <li>Width with optional EBA Trim Kits: EBA5470 26" - 26 1/4" EBA5476 28 3/8" - 28 1/2"</li> <li>All installations must be done in accordance with local codes.</li> </ul>	

NOTE: Drawing is not to scale.  
SPECIFICATION SHEETS 102909

# Product and Cut-out Dimensions Combination Microwave Oven

H4042BM over H4XXX Oven



### Location Codes

- E - 5 foot electrical main with plug connects upper rear right side
- O - 208 - 240 Volt - 20 Amp 4 wire connection with NEMA 14-30R. Location must be accessible

### Notes

- Width with optional EBA Trim Kits:  
EBA5470       $26'' - 26 \frac{1}{4}''$   
EBA5476       $28 \frac{3}{8}'' - 28 \frac{1}{2}''$
- All installations must be done in accordance with local codes.

NOTE: Drawing is not to scale.  
SPECIFICATION SHEETS 102909