

PERFORMANCE · QUALITY · CUSTOMER SERVICE

QUIET OPERATION

- Large 3-speed blower operates at lower RPM reducing the sound level

EASY CLEANING

- Dishwasher-safe commercial-style baffle filters with 2 easy-grip handles
- Detergent inlet holes and grease exit holes in baffle filters for superior dishwasher cleaning

DISTINCTIVE LOW-PROFILE DESIGN

- Style complements ALL kitchen designs
- Electronic touch controls with blue LED lighting
- Simplicity of design preferred by homeowners

EASE OF OPERATION

- Remote control included with purchase
- Optional automatic 5 minute shut off timer

SIMPLE INSTALLATION

- Installs easily under standard size upper cabinets
- Wiring diagram label for simple electrical connection

ENDURING QUALITY

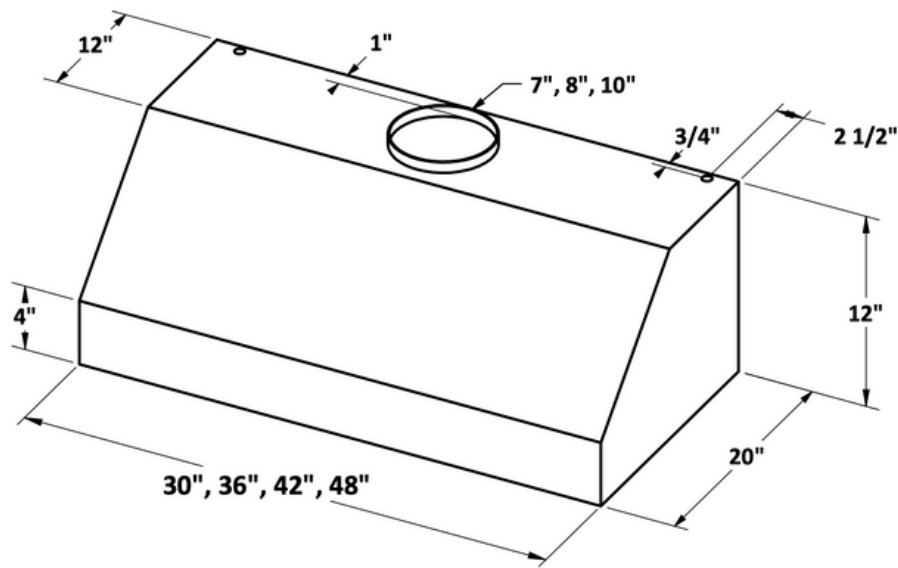
- Commercial grade stainless steel (#304 grade) and galvanized steel construction
- LED lights brighten cooking area
- CFM and sound tested by Energy Systems Laboratory at Texas A&M University



PHOTO COMING
SOON



MODEL	FRONT TO BACK	WIDTH	COLOR	3-SPEED INTERNAL BLOWER	CFM	LED LIGHTS	S/S BAFFLE FILTERS	REMOTE CONTROL	DUCT COLLAR	ELECTRONIC TOUCH CONTROL
H32303RC	20"	30"	S/S	✓	390	2	✓	✓	7"	✓
H32306RC	20"	30"	S/S	✓	600	2	✓	✓	8"	✓
H32363RC	20"	36"	S/S	✓	390	2	✓	✓	7"	✓
H32366RC	20"	36"	S/S	✓	600	2	✓	✓	8"	✓
H32423RC	20"	42"	S/S	✓	390	2	✓	✓	7"	✓
H32426RC	20"	42"	S/S	✓	600	2	✓	✓	8"	✓
H32487RC	20"	48"	S/S	✓	780	3	✓	✓	10"	✓



RANGE HOODS

OPTIONAL DUCTLESS CONVERSION KIT MODEL #: 5BL-33-300-DCK1 (390 CFM MODELS ONLY)

For more information, please contact your dealer or your TRADE-WIND® representative.



800 WEST GRANT STREET
PHOENIX, AZ 85007
1-800-955-5737
602-900-8500
T - W U S A . C O M



TRADE-WIND Manufacturing, LLC has a policy of continuous improvements and reserves the right to modify (at any time without notice) any or all of its products, features, designs, components and specifications. For further information on installation and wiring, see the installation instructions included with the product or visit us on the web.