

H 2880 BP

30" Convection Oven - PureLine

Features:

- Easy Control - Intuitive controls
- Soft Open and Close Doors
- Self Cleaning Oven
- Cool Touch Front - protects against burns

Included:

- 1 Universal baking tray
- 1 Baking and Roasting Rack with Perfect Clean

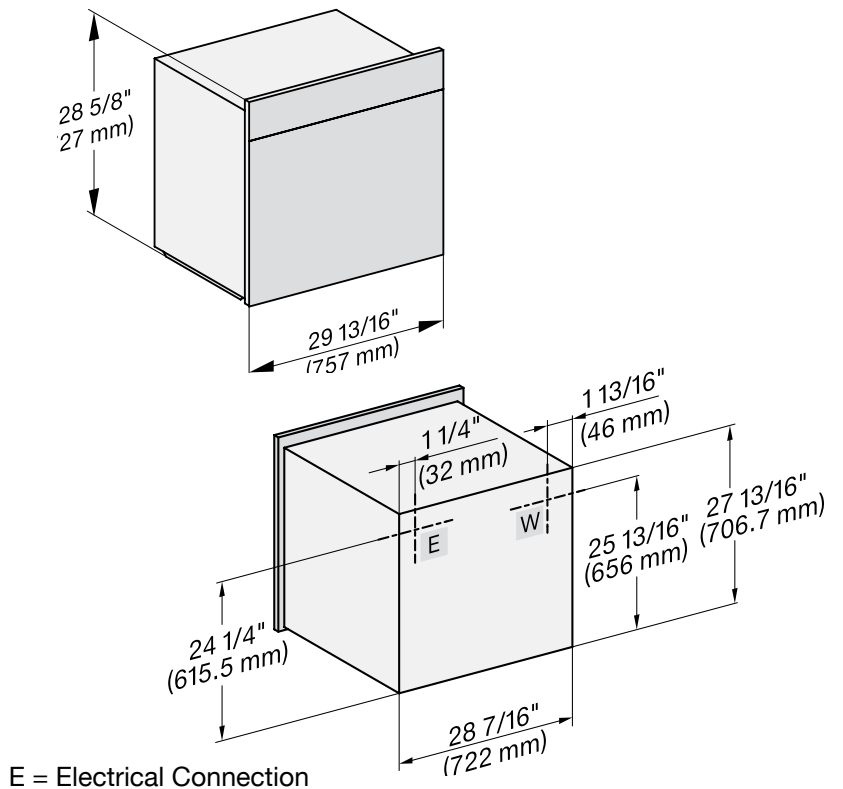


MATERIAL

11805330

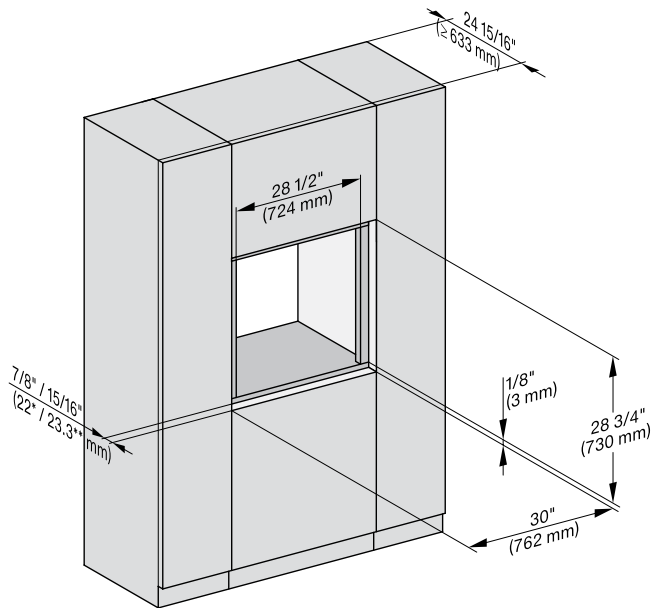
SPECIFICATIONS	
Overall Unit Dimensions	29 ¹³ / ₁₆ " (757 mm) W x 28 ⁵ / ₈ " (727 mm) H x 23 ³ / ₄ " (603 mm) D
Niche	
Minimum Cabinet Niche Opening	28 ¹ / ₂ " (724 mm) W x 28 ¹ / ₄ " (718 mm) H x 24" (610 mm) D
Electrical	
Electrical Requirements	120/208-240V, 60Hz, 30 Amps
Power Cord	NEMA 14-30 plug, 5 ft (1.52 m)
Shipping	
Shipping Weight	215 lbs (98 kg)
Shipping Dimensions	30 ⁷ / ₁₆ " (776 mm) W x 35 ³ / ₄ " (907 mm) H x 32 ¹⁵ / ₁₆ " (836 mm) D

PRODUCT DIMENSIONS

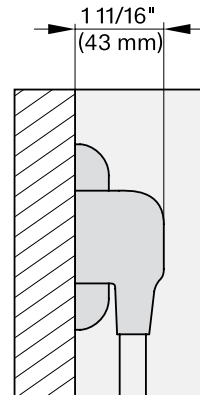
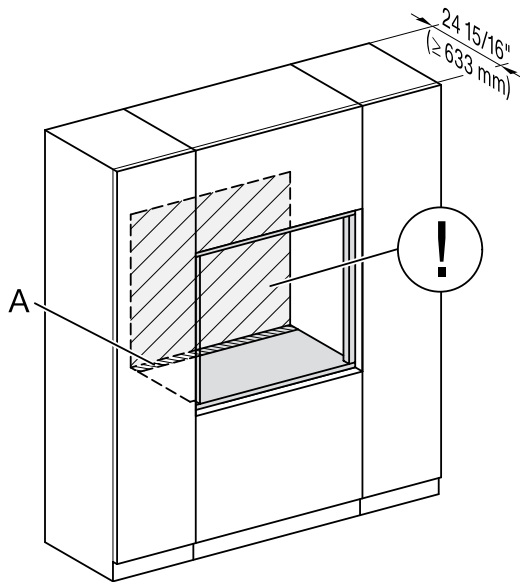
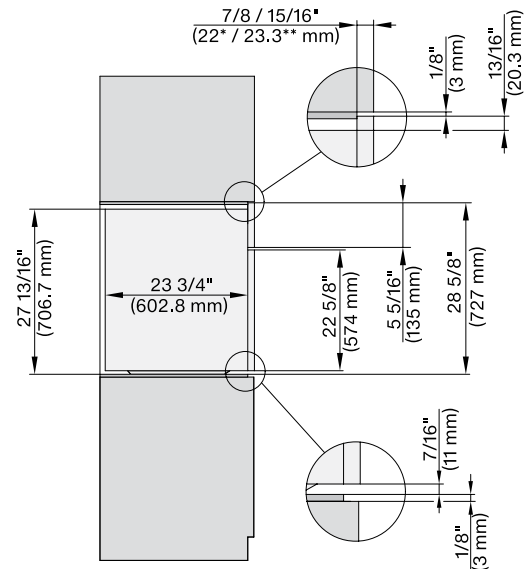


FLUSH CUTOUT DIMENSIONS

Front View



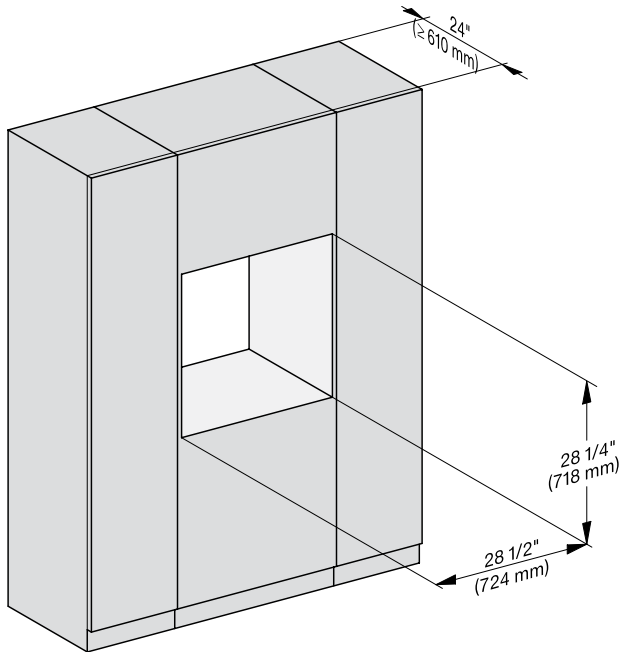
Side View



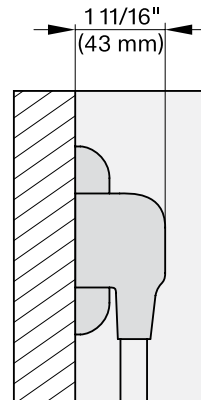
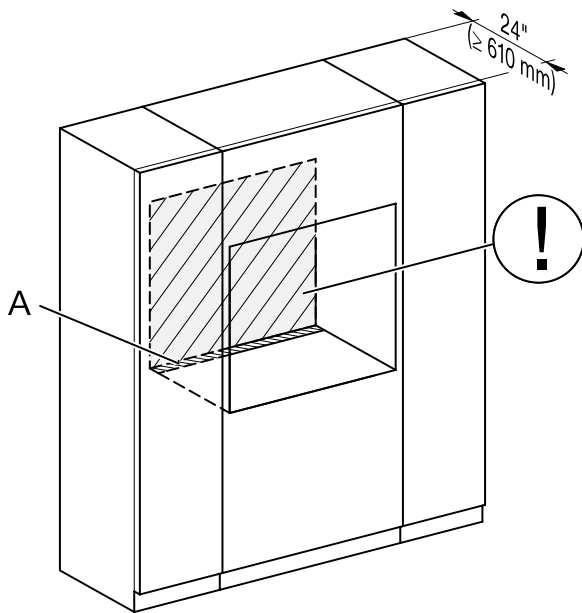
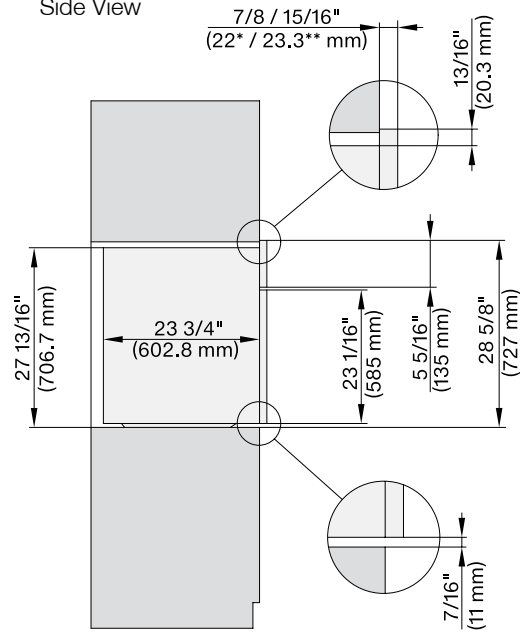
- A - Cut-out (4" x 28" [100 mm x 720 mm]) in the bottom of the cabinet for the power cord and Ventilation
- ⚠ - Electrical and water supplies are recommended to be placed in adjacent cabinetry.
Additional cabinet depth is required when placing the electrical and water supplies behind the appliance.

PROUD CUTOUT DIMENSIONS

Front View



Side View



A - Cut-out (4" x 28" [100 mm x 720 mm]) in the bottom of the cabinet for the power cord and Ventilation

ⓘ - Electrical and water supplies are recommended to be placed in adjacent cabinetry.

Additional cabinet depth is required when placing the electrical and water supplies behind the appliance.