

SUBMITTAL DATA

MULTI36HP230V1EO
36000 BTU/H Multi-Zone Heat Pump System

Job Name

Location

Date

Purchaser

Engineer

Submitted to

For

Unit Designation

Schedule No.



MULTI36HP230V1EO

GENERAL FEATURES

- AHRI Certificate: 210278979 (Non-Ducted)
210278980 (Ducted)
210278986 (Mixed)
- High Efficiency DC Inverter Technology
- Compact and Quiet Design
- Auto Restart on Power Outages
- Multi-point Diagnostics
- Wi-Fi Included (Factory Installed)
- Low Ambient Cooling down to -20°F (Range -22°F to 118°F)
- Low Ambient Heating down to -22°F (Range -22°F to 75°F)
- Coil (Indoor and Outdoor) Copper Tube / Aluminum Fin
- Blue Colored Fin - 500 Hrs Salt Spray Tested

SPECIFICATIONS, FEATURES & FUNCTION SUMMARY

| SPECIFICATIONS | | MULTI36HP230V1EO | |
|---------------------------------|--------------------------------|--|----------------------|
| System Type | HEAT PUMP | | |
| Number of Zones | 2 - 4 | | |
| SYSTEM PERFORMANCE | | NON-DUCTED INDOOR UNITS | |
| Cooling | Min - Max | Btu/h | 8871 - 35826 |
| | Capacity @95°F | Btu/h | 34000 |
| Heating | Min - Max | Btu/h | 8871 - 44356 |
| | Capacity @5°F | Btu/h | 32400 |
| | Capacity @17°F | Btu/h | 30800 |
| | Capacity @47°F | W | 36000 |
| SEER2 | 21 | | |
| EER2 | 12 | | |
| HSPF2 | 10 | | |
| COP @5°F | 1.8 | | |
| COP @47°F | 3.6 | | |
| SYSTEM PERFORMANCE | | DUCTED INDOOR UNITS | |
| Cooling | Min - Max | Btu/h | 8871 - 35826 |
| | Capacity @95°F | Btu/h | 34000 |
| Heating | Min - Max | Btu/h | 8871 - 44356 |
| | Capacity @5°F | Btu/h | 30000 |
| | Capacity @17°F | Btu/h | 30000 |
| | Capacity @47°F | W | 36000 |
| SEER2 | 16 | | |
| EER2 | 11 | | |
| HSPF2 | 8 | | |
| COP @5°F | | | |
| COP @47°F | 3.3 | | |
| SYSTEM PERFORMANCE | | MIXED DUCTED AND NON-DUCTED INDOOR UNITS | |
| Cooling | Min - Max | Btu/h | 8871 - 35826 |
| | Capacity @95°F | Btu/h | 34000 |
| Heating | Min - Max | Btu/h | 36000 (8871 - 44356) |
| | Capacity @5°F | Btu/h | |
| | Capacity @17°F | Btu/h | |
| | Capacity @47°F | W | 36000 |
| SEER2 | 18.5 | | |
| EER2 | 11.5 | | |
| HSPF2 | 9 | | |
| COP @5°F | | | |
| COP @47°F | 3.5 | | |
| OUTDOOR UNIT | | MULTI36HP230V1EO | |
| Cooling Temperature Range | °F | -22 - 118 | |
| Heating Temperature Range | °F | -22 - 75 | |
| Refrigerant Type | R410A | | |
| Compressor Type | GREE G-10 / 2 - STAGE INVERTER | | |
| Sound Pressure Level | dB(A) | 63 | |
| External Dimensions (W x H x D) | in | 40-3/16 x 32-9/16 x 16-13/16 | |
| Package Dimension (W x H x D) | in | 43 x 34-7/8 x 19-5/8 | |
| Net Weight | lbs | 172.0 | |
| Gross Weight | lbs | 187.4 | |

| REFRIGERANT PIPING | | |
|-------------------------------------|-----------------------|----------------|
| Refrigerant Charge - R410A | oz | 130.5 |
| Additional Charge | oz/ft | 0.2 |
| Port Size (Liquid - Gas) | port A (in) | 1/4 - 3/8 |
| | port B (in) | 1/4 - 3/8 |
| | port C (in) | 1/4 - 3/8 |
| | port D (in) | 1/4 - 3/8 |
| | port E (in) | |
| Pre-Charge Length | ft | 131 |
| Pipe Length (Min - Max) | ft | 10 - 263 |
| Pipe Length to furthest Indoor Unit | ft | 82 |
| Max. Pipe Elevation | ft | 82 |
| ELECTRICAL | | |
| Power Supply | 208-230V / 1Ph / 60Hz | |
| Voltage Range (Min - Max) | VAC | 187 - 253 |
| Rated Current - Cooling | A | 23 |
| Rated Current - Heating | A | 23 |
| MCA | A | 29 |
| MOCP | A | 45 |
| Suggested Breaker Size | A | 30 |
| Main Power Wire Size | AWG | Per Local Code |
| Interconnecting Wire Size | AWG | 14 / 4 |

| FEATURES & FUNCTIONS SUMMARY | MULTI36HP230V1EO |
|---|------------------------|
| SYSTEM FEATURES | |
| Inverter Type | G10 |
| Ultra Low Frequency Torque Control | Yes |
| Power Factor Correction | Yes |
| Compressor Type - Inverter | High Efficiency Rotary |
| Basepan With Electric Heater | Yes |
| Indoor & Outdoor Fin Coating (Blue Fin) | Yes |
| Intelligent Defrosting | Yes |
| Intelligent Preheating | Yes |
| Low Voltage Startup | Yes |
| Memory/Power Failure Recovery | Yes |
| Self Diagnosis | Yes |

DIMENSIONS

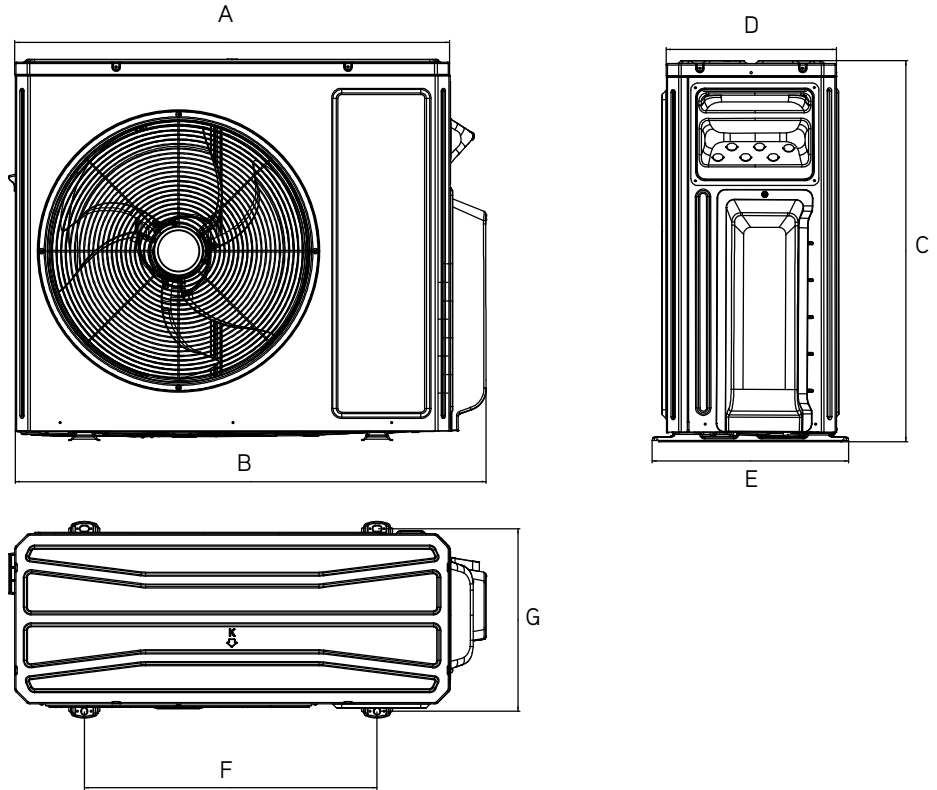
OUTDOOR UNIT

Unit: inch

MULTI36HP230V1EO

DIMENSIONS

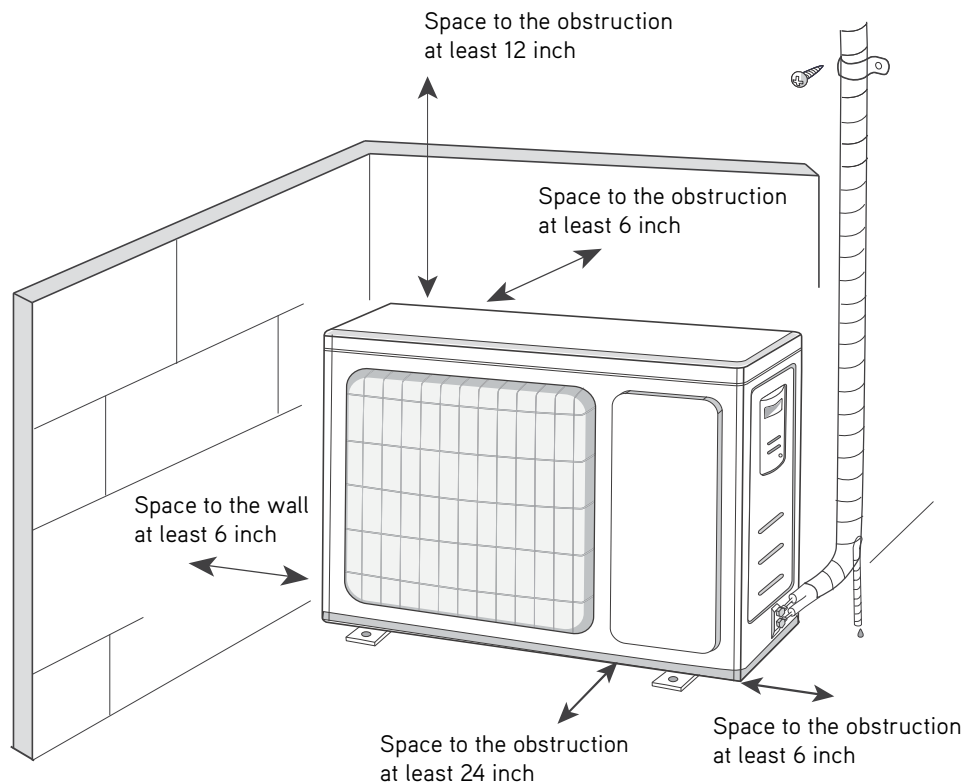
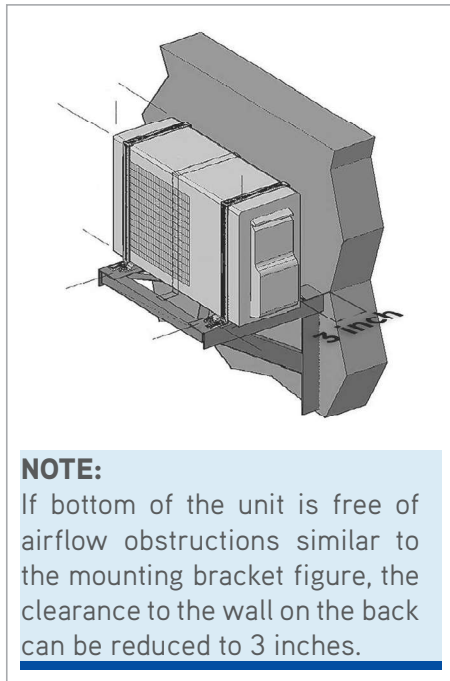
| | |
|---|----------|
| A | 37-1/8 |
| B | 40-3/16 |
| C | 32-9/16 |
| D | 14-17/32 |
| E | 16-13/16 |
| F | 25 |
| G | 15-19/32 |



CLEARANCES

OUTDOOR UNIT

Minimum clearance



Specifications are subject to change without notice. Manufacturer reserves the right to discontinue or modify specifications or designs without notice or without incurring obligations. All Rights reserved.

GRECOMFORT.COM/SYSTEM-DOCUMENTATION