



DF211701

**DA020111:**

Stainless steel trim kit, 86.5 cm high dw

**DA021000:**

Retractable hinge f. high corpus dimens.

**DA042030:**

Silver polishing cassette

**DA043000:**

Holder for long-stemmed glasses

**DA045060:**

3. Basket

**DA231110:**

Attachment door, ss/glass 86,5cm

**GZ010011:**

inlet and outlet hose extension

**Dishwasher 200 series  
24"**

**DF211701**

6 programs with aqua sensor and 4 options, such as Power to reduce the cycle time and Intensive for particularly thorough cleaning in the lower basket

Flexible basket system

Bright interior lighting

Very quiet: 42 dB

**Operation**

TFT display indicating remaining or end time, refill for salt and rinsing agent, inflow of water. Touch key operation.

Flexible cycle time reduction, even during an active cycle.

Personalization function for storing individual combinations of programs.

Information key with use indications.

Sanitized indicator in the control panel.

Time delay up to 24 hours.

Visual and acoustic end of program indicator.

Info-Light.

**Technical Features**

Bright interior lighting.

Glass protection.

Aqua sensor.

Load sensor.

Automatic detergent function.

Regeneration electronics.

Flow-Through Water Heater™

Triple filter system.

Soft lock.

Aqua stop.

**Selected digital services (Home Connect)**

Program assistant.

Temporary noise reduction (only available with active Home Connect functionality).

Home network integration for digital services (Home Connect) wireless via WiFi.

The use of the Home Connect functionality depends on the Home Connect services, which are not available in every country. For further information please check: [home-connect.com](http://home-connect.com).

**Programs**

6 programs:

Auto 150-160 °F. Auto 130-150 °F. Eco 113-131

°F. Quick Wash 113 °F (30 min). Glass Care

122 °F. Personalization function (default setting: Pre-rinse).

3 options:

Intensive. Power. Extra Dry.

**Interior**

Flexible rack system.

3rd rack for cutlery.

Upper basket:

Over extension. Rackmatic with 3 levels, adjustable in height up to 2" (5 cm). 6 folding spines. 4 folding racks for optimal protection of glass.

Lower basket:

8 folding spines. 2 folding racks for optimal protection of glass. Dividable glass support.

Cutlery basket.

Maximum dish sizes (upper/lower basket)

9"/11 3/8", 8"/12 3/8" or 7"/13 3/8" respectively.

13 place setting capacity.

Maximum glass loading capacity 23 wine glasses.

**Consumption data**

ENERGY STAR certified.

Total annual energy consumption 240 kWh.

From 3.2 gallons water.

Noise level 42 dB (re 1 pW).

**Planning notes**

Height-adjustable feet.

Appliance toe-kick recess 3 15/16" (see drawing).

Rear feet adjustable at front.

Door weight up to 22 lb.

Door panel dimension dependent on toe-kick height of kitchen cabinetry.

**Rating**

Total rating: 1440 W.

Connecting cable 47 1/4" with three-prong plug (NEMA 5-15P).

Water connection with 3/4" screw joint.

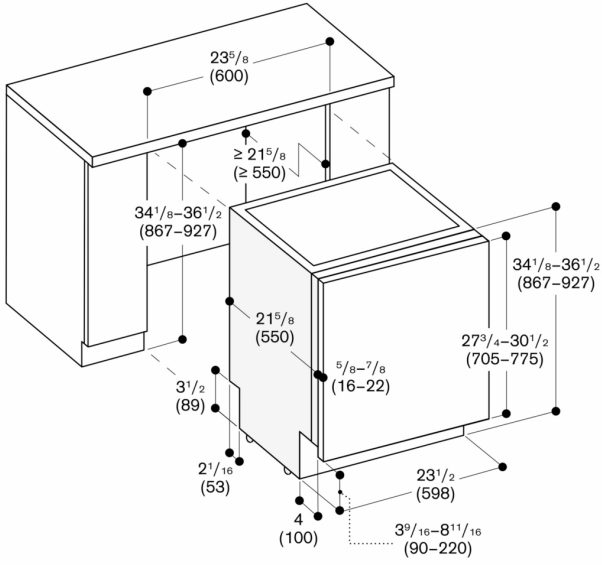
Connection to hot or cold water possible.

Power consumption standby/network 2.0 W.

Time auto-standby/network 2 min.

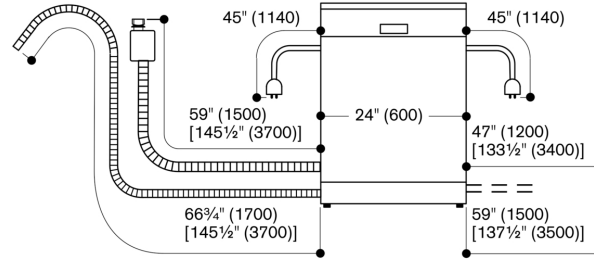
Please check the user manual for how to switch off the WiFi module.

Dishwasher 34<sup>1</sup>/<sub>8</sub>" (867 mm)



Measurements in inches (mm)

Connection dimensions for a 24" (600 mm) wide dishwasher



[ ] values with extension kit  
Measurements in inches (mm)