



GS460720

1 x cleaning cartridge
1 x wire rack
perforated
1 x cooking insert
unperforated

BA010050:

Core temperature probe

BA010301:

Telescopic racks for combi-steam oven

BA020361:

Container st. steel unperf

BA020382:

Container non-stick unperf

BA020391:

Container non-stick perf

BA046118:

Glass tray 60cm

CLS10040:

Cleaning cartridge, 4 pcs.

GN010330:

GN-adapter

GN114130:

GN insert unperf, st. steel, GN1/3, 40mm

BA020370:

Container st. steel perf

GN114230:

GN insert unperf, st. steel, GN2/3, 40mm

GN124130:

GN insert perf, st. steel, GN1/3, 40mm

GN124230:

GN insert perf, st. steel, GN2/3, 40mm

GN340231:

Gastronorm roaster GN 2/3

combi-steam oven Gaggenau Expressive series
30", door hinge: right

GS460720

Highlights

Handleless full glass door with electronic door opening.

Full touch display with stainless steel control ring.

Light and display response upon user approach.

Water tank for fresh and waste water for flexible installation.

External steam generation

Convection 86 °F to 445 °F (30 °C to 230 °C) can be combined with chosen humidity level of 0%, 30%, 60%, 80% or 100% .

Sous-vide cooking with accurate temperature regulation

Full surface broiler behind glass ceramic, combinable with circulated air up to 450 °F (230 °C) and steam.

Automatic programs and setting recommendations.

Cavity capacity 1.77 cu.ft. (50 liters).

Heating methods / Programs

Convection + 100 % humidity.

Convection + 80 % humidity. Convection + 60 % humidity. Convection + 30 % humidity.

Convection + 0 % humidity. Broil + circulated air.

Broil level 1 + humidity. Broil level 2 + humidity.

Sous-vide cooking. Low temperature cooking.

Dough proofing. Keeping warm. Defrosting.

Regenerating.

200 programs (automatic programs and setting recommendations).

Option to save up to 30 favorites.

Operation

Cushioned side-opening door with 110 ° opening angle.

Electronic door opening.

Full touch display with control ring.

42 display languages available.

User detection, adjustable distance.

Info texts for additional information.

Animated quick guides to assist appliance operation.

Features

2 kW broil element behind glass ceramic.

Convection fan rotates in both directions for ideal heat distribution

Connection for core temperature probe (oven temperature probe usable).

Broil can be added briefly in convection mode for additional browning.

Misting.

Water level warning.

Automatic boiling point detection.

Precise temperature control with display of the current temperature.

Timer functions: cooking time, cooking time end, count-up timer.

Sabbath mode with pre-programmable heating cycles.

Programmable automatic door opening at cooking time end to avoid overcooking.

Optimum visibility of the food thanks to side lighting.

3 tray levels.

Selected digital services (Gaggenau Home Connect)

Remote control and monitoring.

Cooking time estimation when using the core temperature probe.

Door opening via voice assistant.

Safety

Child lock to prevent accidental switch on or operation of the appliance.

Electronic door lock to prevent unintentional opening of the appliance door.

Safety shut-off.

Thermally insulated door with triple glazing.

Cooled housing with temperature protection.

Cleaning

Hygienic stainless steel cooking interior.

Cleaning program.

Automatic descaling for the steam generator.

Drying program.

Automatic drying of the cavity at the end of the cooking process.

Planning notes

Plan the niche without back wall.

Door hinge not reversible.

No other electrical appliances should be installed above the GS combi-steam oven.

Protrusion from appliance front to furniture cabinet 1 5/8" (42 mm).

Consider the overhang when planning to open drawers next to the appliance.

When planning a corner solution, pay attention to the side-opening door and the minimum required distance to the wall.

Door opening angle appr. 110° (delivery status) can be reduced to appr. 97° if required.

The electrical connection must be accessible and located outside the oven cutout.

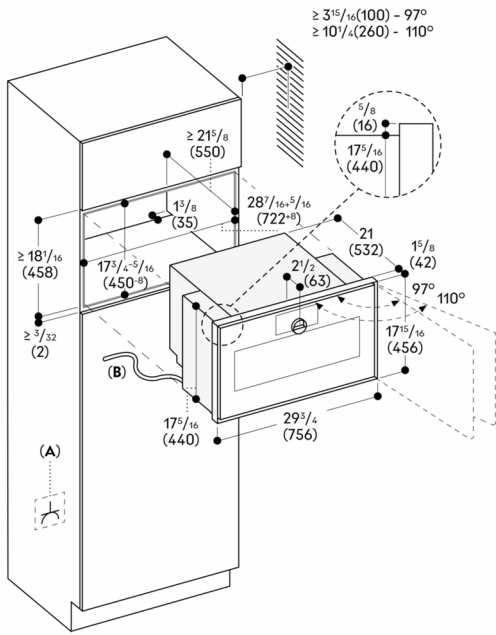
Special accessories (order as spare part):

Part No. 17002490 Descaling tablets.

Rating

Total rating 2.5 KW.

Electrical connection cable 63" (1.60 m), hardware required.



A: Accessible electrical connection
B: Fixed cable

Measurements in inches (mm)