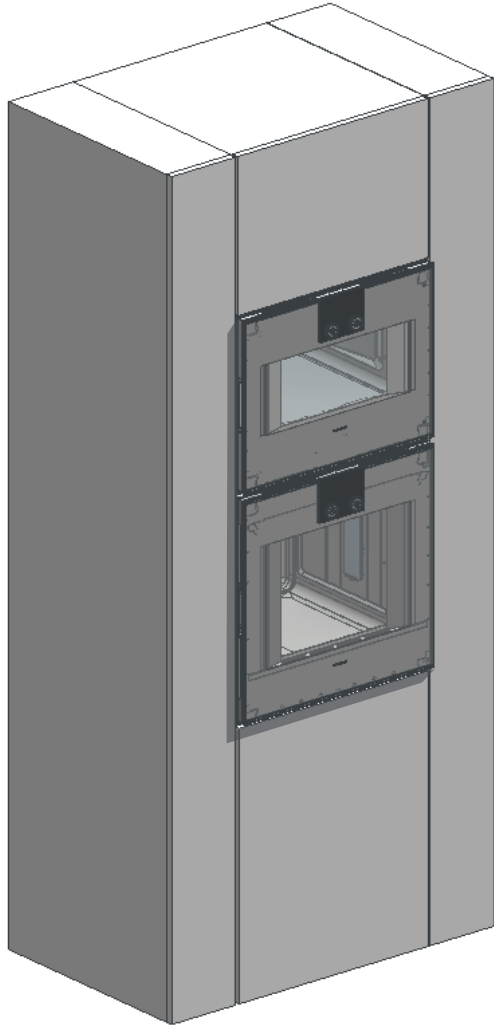


GAGGENAU

**EXPRESSIVE SERIES
REPLACEMENT OF 200/400 SERIES
IN EXISTING CABINETS**

May, 2025

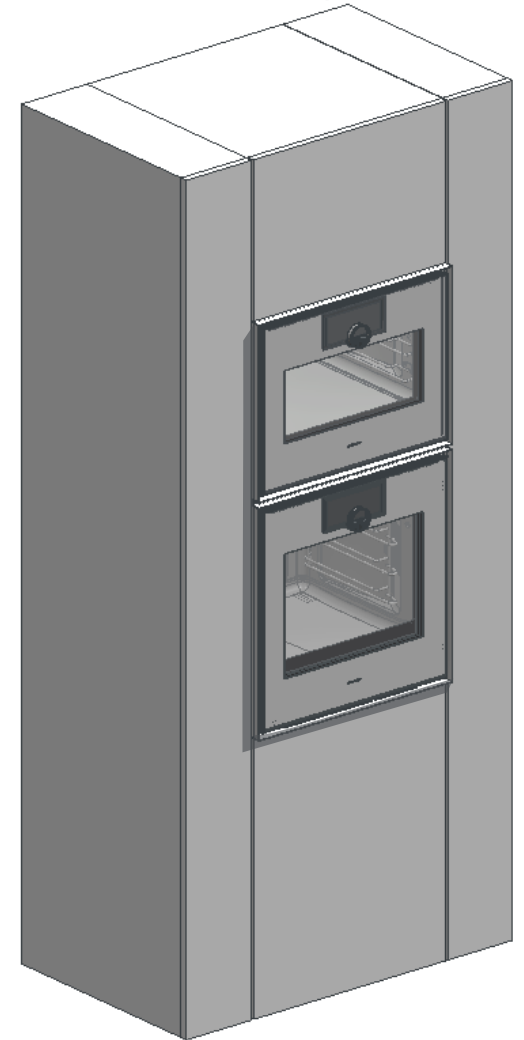
The retrofit of the existing 200/400 Series appliances to the Expressive series in an existing cabinet



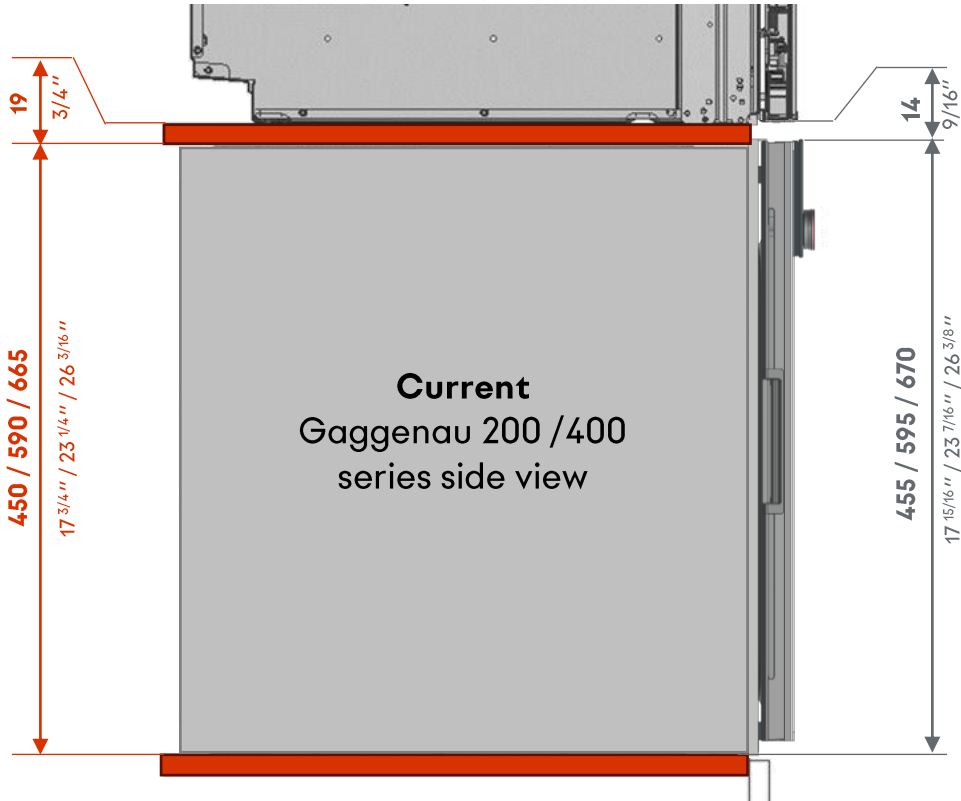
Current
200/400 series
(24" / 30")



New
Expressive Series
(24" / 30")

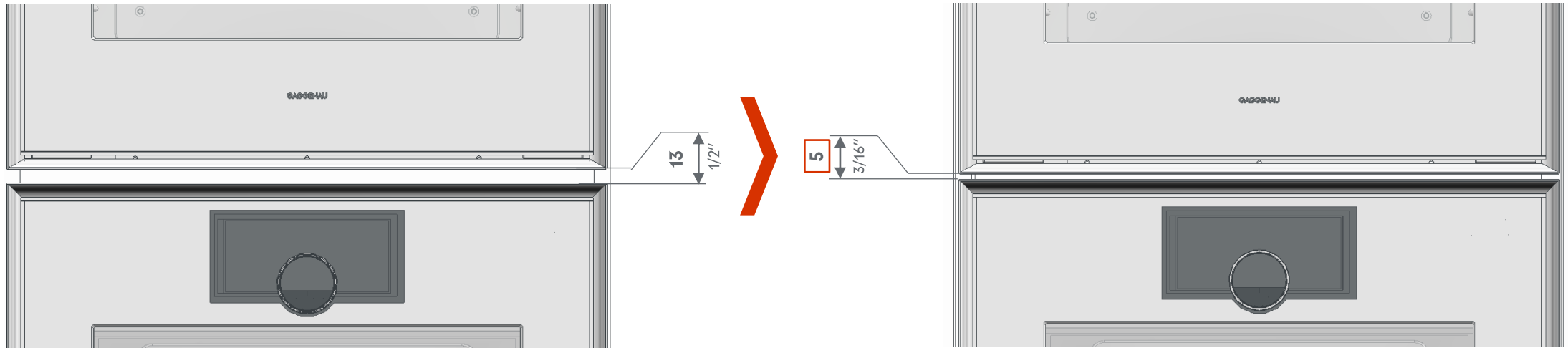


Vertical Combination 1 | Expressive Series in existing cabinet



Cabinet dimensions
Appliances dimensions

Vertical Combination 1 | How to reduce the gap to **5mm (3/16")** * ?



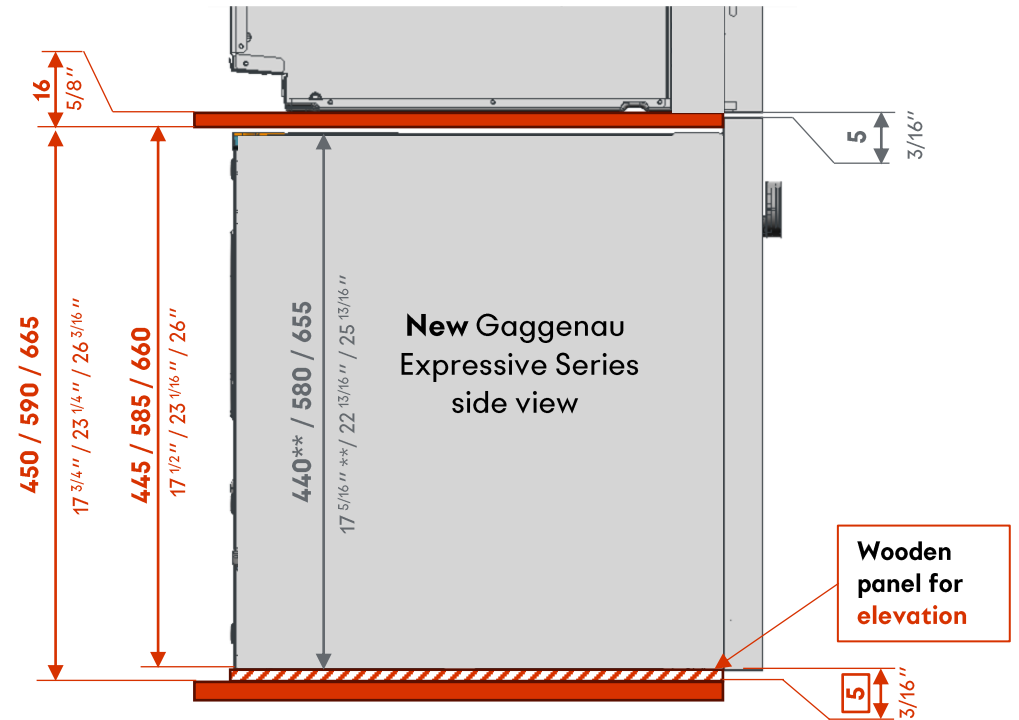
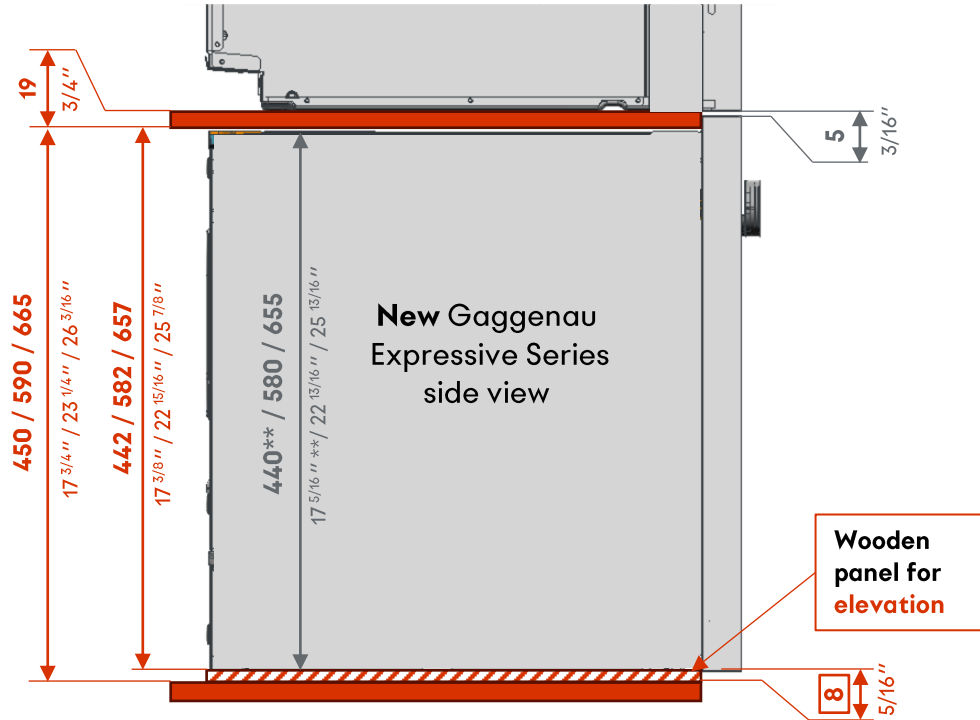
***Applicable for all appliances except Coffee GC.**

Due to housing height of GC: 449mm (17 11/16 ") ,the 5mm gap cannot be achieved and will stay at 13mm (1/2").

Vertical Combination 1 | Expressive Series in existing cabinet with 5mm (3/16") gap*

- If cabinet wood shelf 19 mm (3/4"):
 - Oven base elevation= 8 mm (5/16")

- If cabinet wood shelf 16 mm (5/8"):
 - Oven base elevation= 5 mm (3/16")



*Applicable for all appliances except Expressive Series Coffee GC.

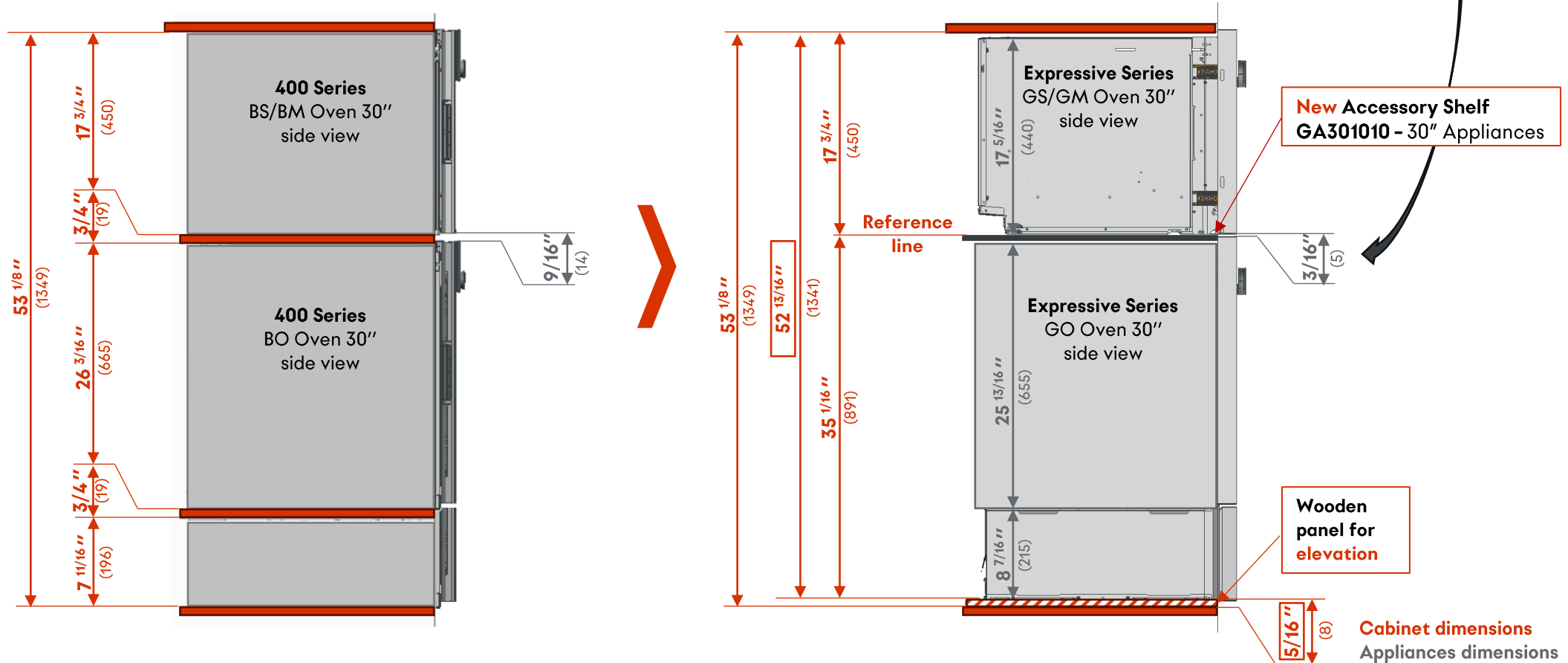
**Housing height GC is 449mm (17 11/16") => 9mm (3/8") higher than combi-microwave and combi-steam oven appliances

Cabinet dimensions
Appliances dimensions

Vertical Combination 2_ **OPTION A** | Expressive Series in existing cabinet with 5mm (3/16") gap

Example: Expressive 30" in existing niche 53 1/8" (1349mm) with an oven base shelf of 5/16" (8 mm).

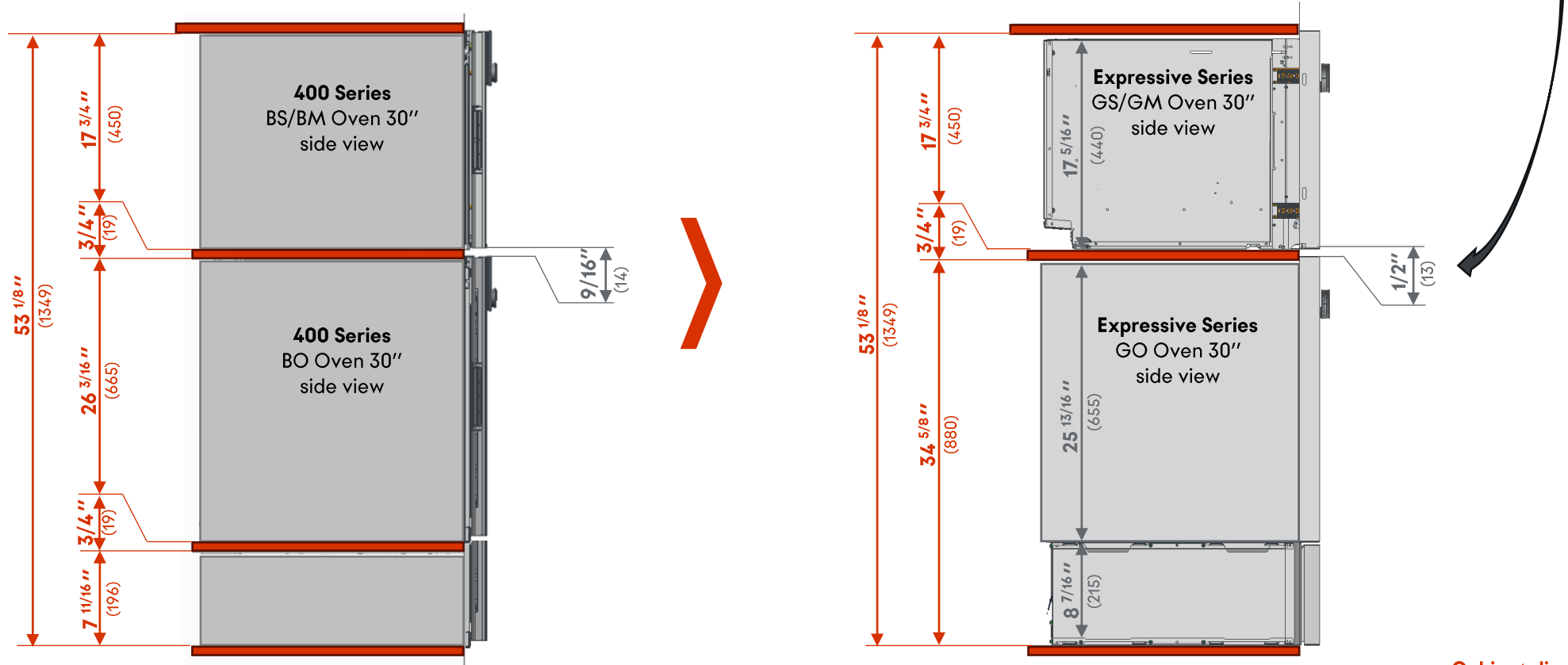
Please note the **shelves will be removed** and replaced with one new **intermediate shelf** accessory



Vertical Combination 2_ **OPTION B** | Expressive Series in existing cabinet with **13mm (1/2")** gap

Example: Expressive 30" in existing niche 53 1/8" (1349mm).

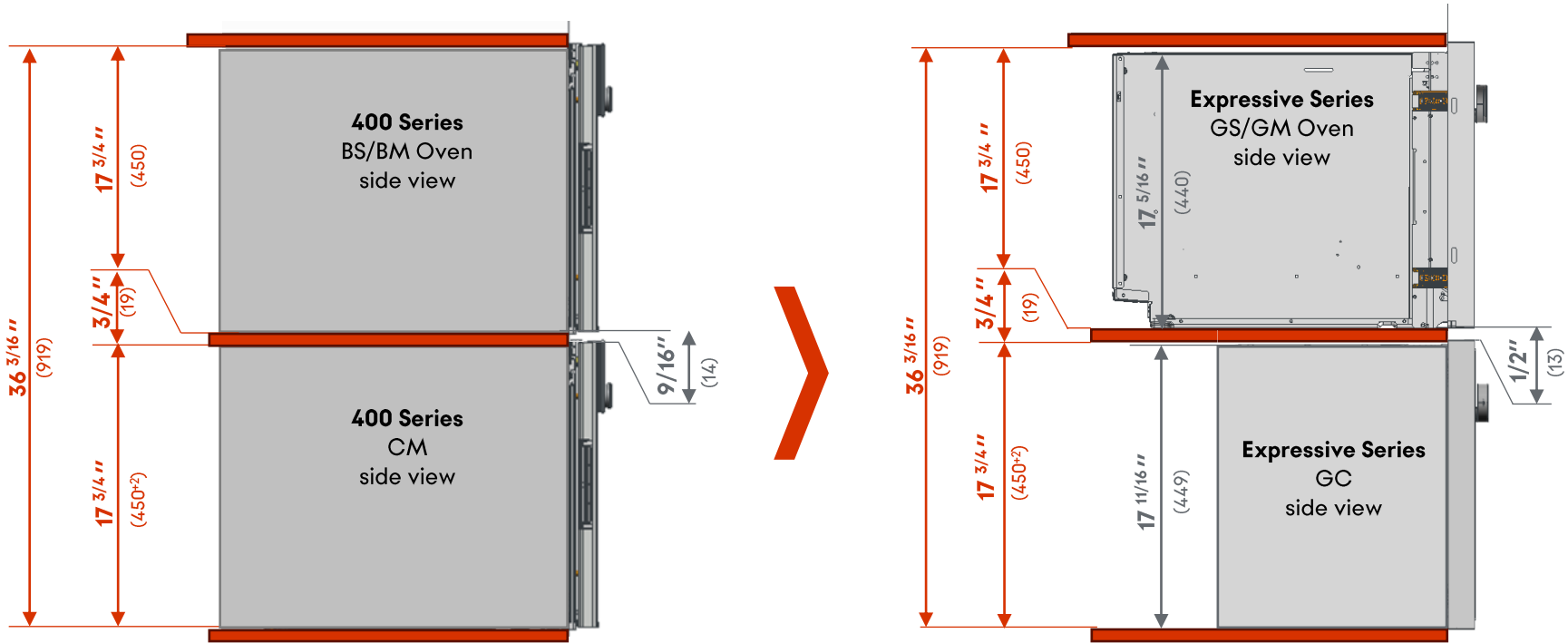
Please note that only the shelf between drawer and GO must be removed



Cabinet dimensions
Appliances dimensions

Vertical Combination 3_OPTION A | Expressive Series GC in existing cabinet with 13mm (1/2") gap

Example: Expressive GC in existing niche $36 \frac{3}{16}''$ (919mm).

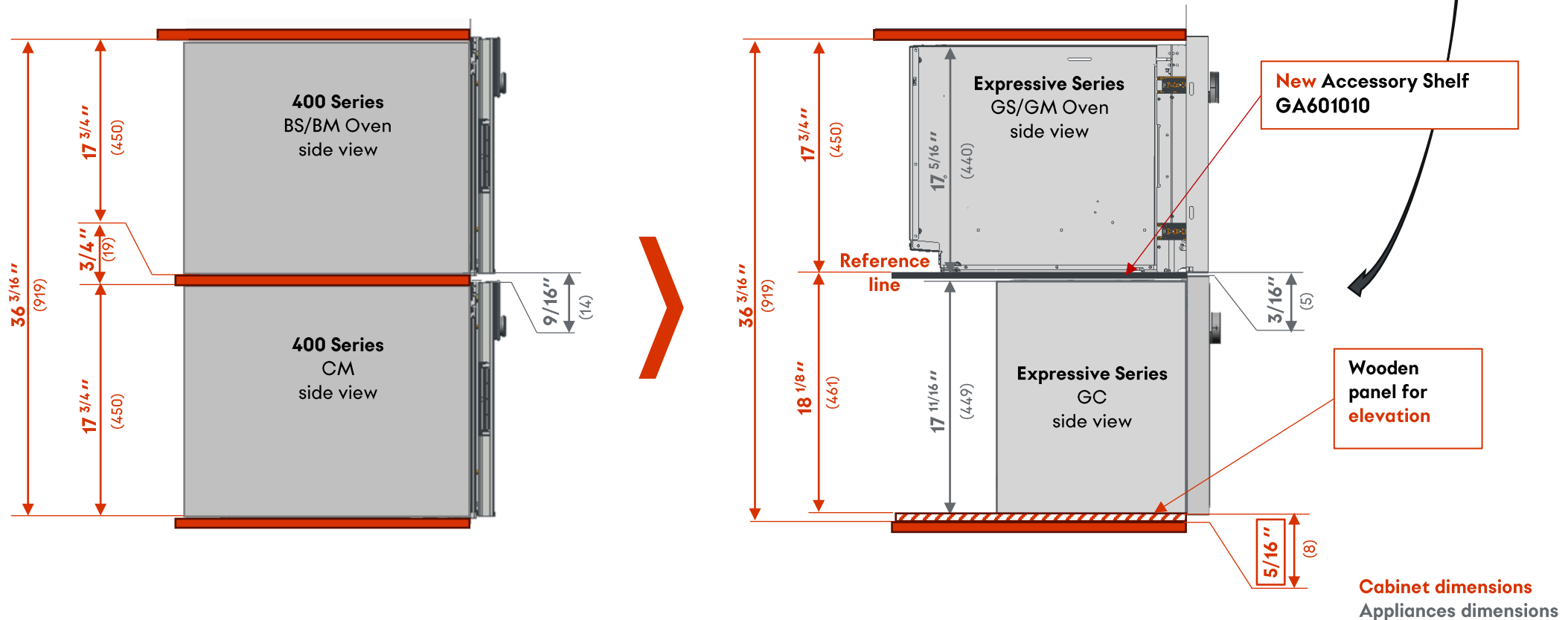


Cabinet dimensions
Appliances dimensions

Vertical Combination 3_OPTION B | Expressive Series GC in existing cabinet with 5mm (3/16") gap

Example: Expressive GC in existing niche 36 3/16" (919mm).

Please note the **shelf will be removed** and replaced with one new **intermediate shelf** accessory



The difference is Gaggenau

GAGGENAU