

## G 5892 SCVi 18" Fully Integrated Slimline Dishwasher

### Features:

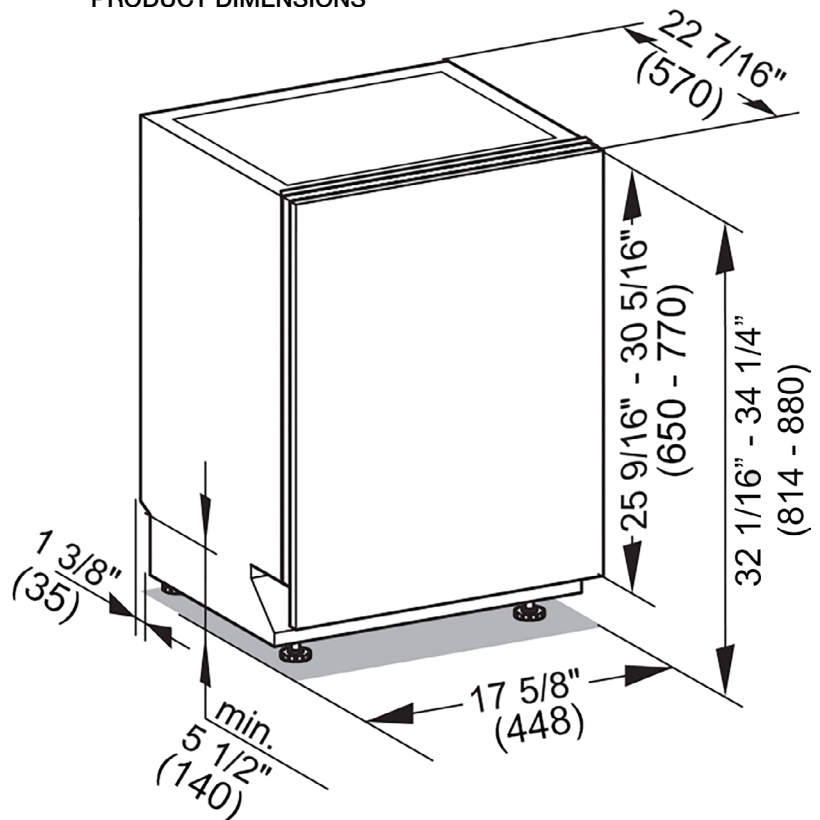
- DirectSelect Controls
- QuickIntenseWash - 58 min. program
- Whisper quiet 42 dB
- 3D MultiFlex Cutlery Tray
- AutoOpen Drying - for perfect drying results
- Water Softener - for spotless drying in hard water areas
- BrilliantLight interior lighting
- WiFi Conn@ct
- ADA Compliant
- EnergyStar



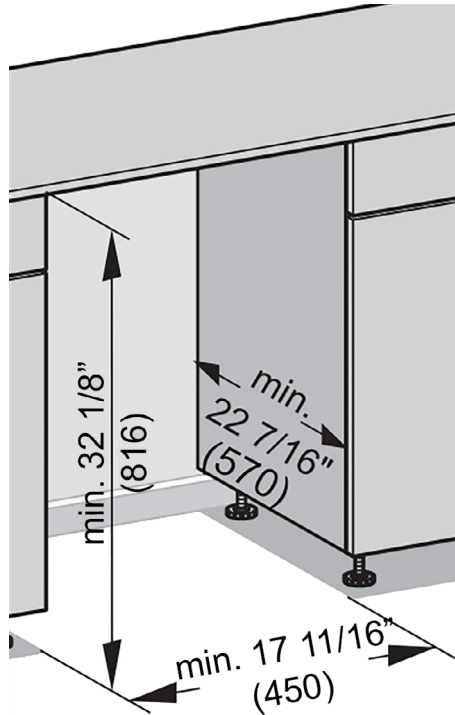
MATERIAL #	EAN #
11636790	4002516376187

SPECIFICATIONS	
Overall Unit Dimensions	17 <sup>5</sup> / <sub>8</sub> " (448 mm) W x 32 <sup>1</sup> / <sub>16</sub> " - 34 <sup>1</sup> / <sub>4</sub> " (814 - 880 mm) H x 22 <sup>7</sup> / <sub>16</sub> " (570 mm) D [Depth does not include door panel]
Niche	
Minimum Cabinet Niche Opening	17 <sup>11</sup> / <sub>16</sub> " (450 mm) W x 32 <sup>1</sup> / <sub>8</sub> " (816 mm) H x 22 <sup>7</sup> / <sub>16</sub> " (570 mm) D
Plumbing	
Water Supply Requirements	<ul style="list-style-type: none"> <li>• Cold or Hot (max 150°F/65°C) water connection</li> <li>• Male 3/4 GHT fitting</li> <li>• Water pressure range 7.25 psi (0.5 bar) and 145 psi (10 bar)</li> </ul>
Water Connection Line (Supplied)	Length: 5 ft (1.5 m) Female 3/8" compression.
Drain Hose (Supplied)	Length: 5 ft (1.5 m) 7/8" (22 mm) internal diameter
Electrical	
Electrical Requirements	110V / 120V, 60Hz, 15 Amps
Power Cord (Convertible to hardwire)	NEMA 5-15 plug, 5 ft (1.52 m)
Shipping	
Shipping Weight	107 lbs (48.5 kg)
Shipping Dimensions	27 <sup>1</sup> / <sub>8</sub> " W x 38 <sup>1</sup> / <sub>8</sub> " H x 20 <sup>7</sup> / <sub>8</sub> " D

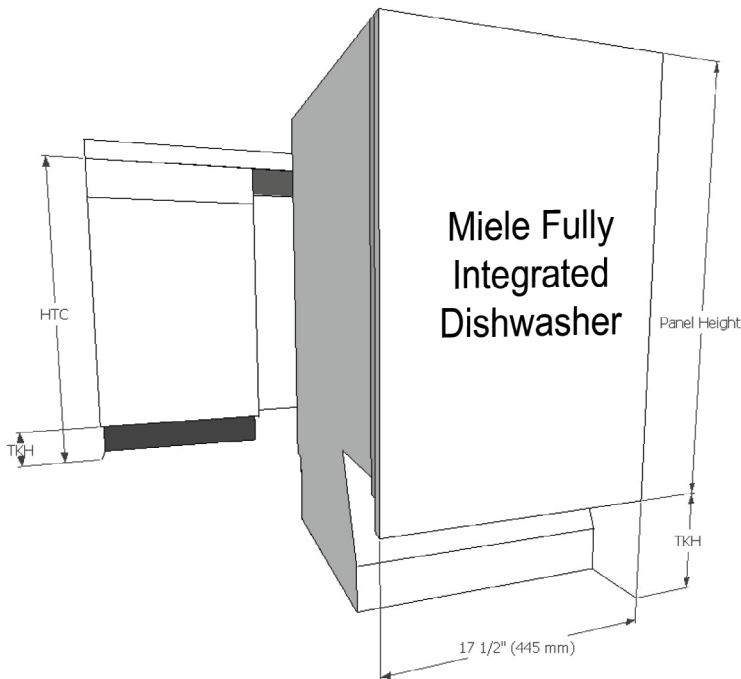
### PRODUCT DIMENSIONS



## CUTOUT DIMENSIONS



## CUSTOM PANEL



- Width:** 17 1/2" (445 mm) in all cases
- Thickness:** 3/4" (19 mm) in all cases
- Height:** Determined using the following calculation:

$$\text{Panel Height} = \text{HTC} - \text{TKH}$$

- HTC** = Height to the underside of countertop
- TKH** = Toe kick height

**Note:** Control panel is along the top edge of the unit. It is not visible when the unit is closed. A handle **MUST** be located on front of panel in order to open unit.

- Maximum panel height:** 30 5/16" (770 mm)
- Minimum panel height:** 25 9/16" (650 mm)
- Maximum panel weight:** 21 Pounds (9.5 kg)