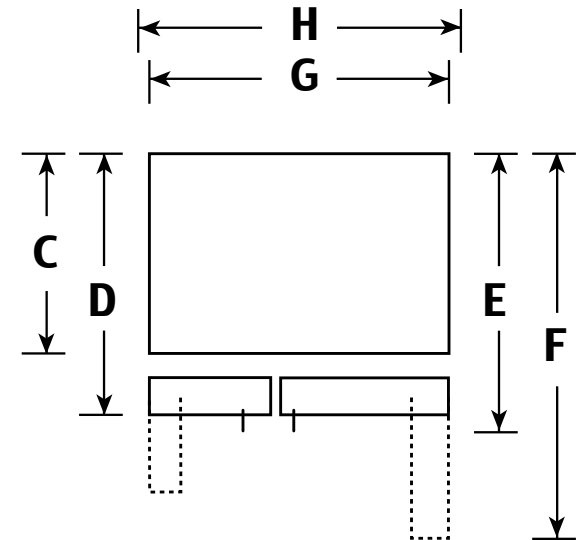
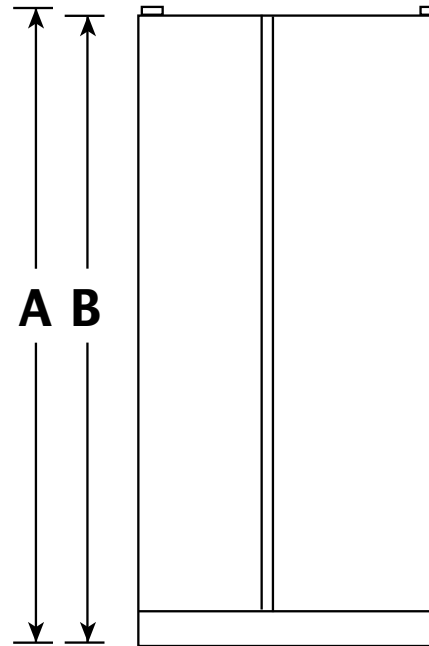


GZS23HSE

GE® 22.7 Cu. Ft. Side-By-Side Refrigerator with Dispenser

Dimensions and Installation Information (in inches)

Overall Dimensions	Height to top of hinge (in.) A	69-1/4
	Height to top of case (in.) B	68-3/4
	Case depth without door (in.) C	23-7/8
	Case depth less door handle (in.) D	26-3/4
	Case depth with door handle (in.) E	29-1/4
	Depth with fresh food door open 90° (in.) F	45-5/8
	Width (in.) G	35-3/4
Air	Width with door open 90° inc. door handle (in.) H	41-1/4
	Each side (in.)	1/8
	Top (in.)	1
	Back (in.)	2



†Water hook-up fits in back air clearance when calculating installation depth.

If installed against a wall, allow clearance of 10-3/4" on freezer side to remove bin.

Clearance required to remove fresh food full-size pan without disassembling is 15".

Allow additional space for any necessary leveling adjustments.



imagination at work

For answers to your Monogram® or GE appliance questions, visit our website at geappliances.com or call GE Answer Center® service, 800.626.2000.



Listed by
Underwriters
Laboratories



Total volume and shelf area are calculated by the Association of Home Appliance Manufacturers' standards.

Specification Created 6/13

310240

GZS23HSE

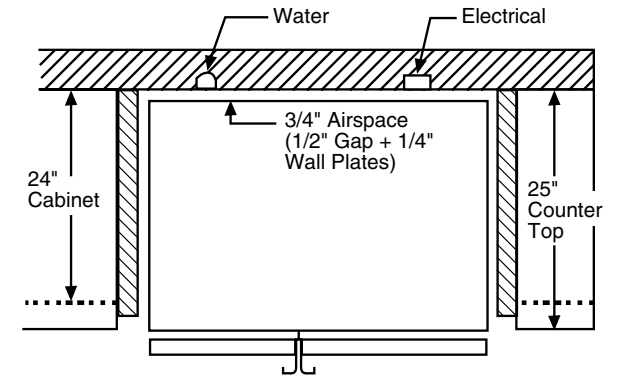
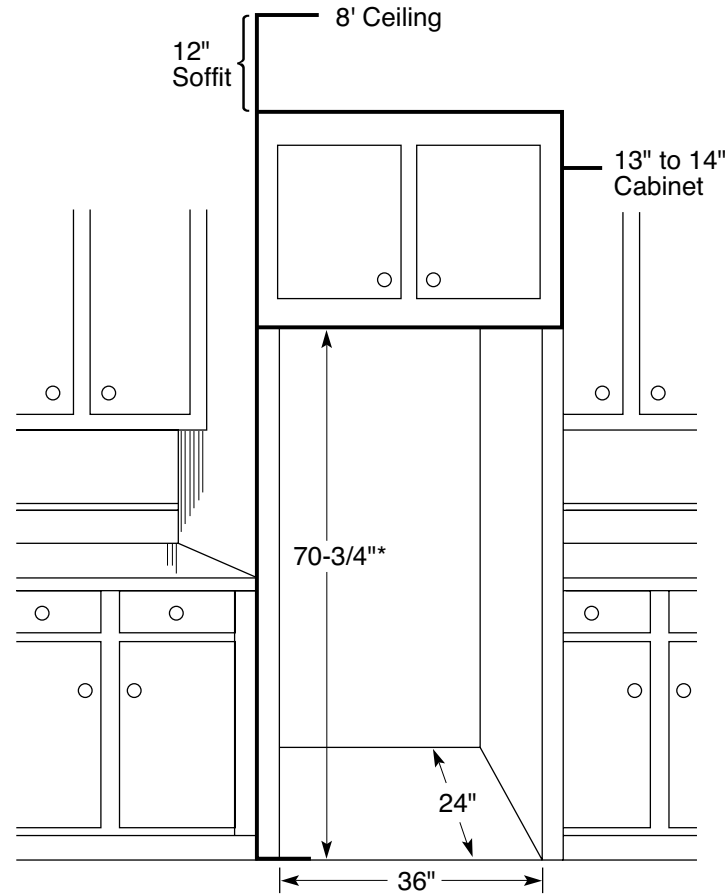
GE® 22.7 Cu. Ft. Side-By-Side Refrigerator with Dispenser

Rough-In Dimensions

Standard, New Construction and Replacement Installation

Installation Tips to Maximize the Built-In Look

- All wall/floor molding should be removed prior to installation.
- Water recess on rear wall recommended to prevent water line damage. 48" minimum length, 1/4" diameter water line tubing recommended.
- When possible, recess both copper water line and electrical outlet. (See local codes)
- Front and rear leveling legs are adjustable for the built-in look. (See owner's manual)
- If optional collar trim kit is to be used or anticipated, see collar trim installation on next page for different rough-in dimensions.



*The rough-in dimension of 70-3/4" is minimum and is measured from the finished floor to top of opening (or the underside of the overhead cabinets). For Models with Trim Kit: If frameless style cabinets are planned for above the refrigerator, you may need to consider adding a maximum of 1/4" (71") to height of opening to allow additional clearance between cabinet doors and top of refrigerator trim when cabinet doors are in open position.



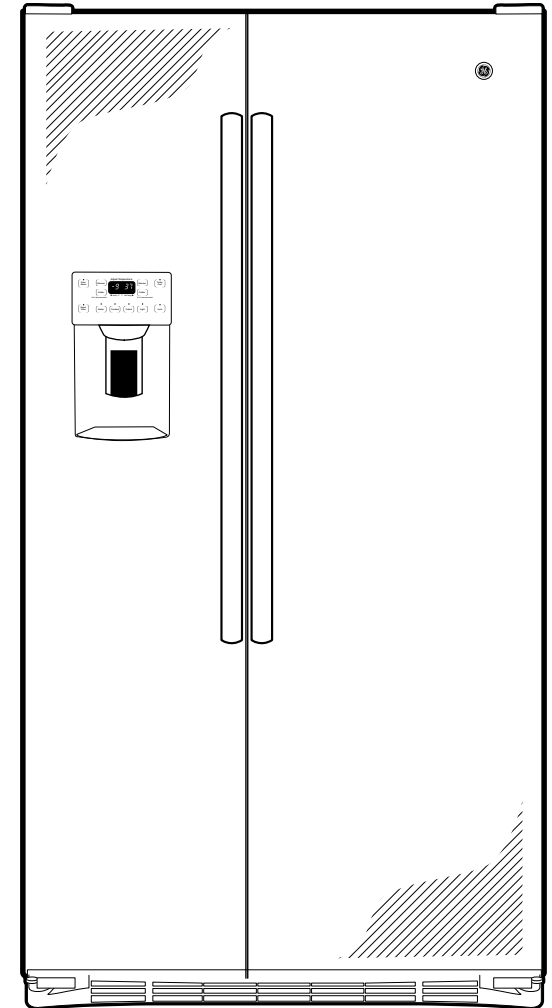
imagination at work

GZS23HSE

GE® 22.7 Cu. Ft. Side-By-Side Refrigerator with Dispenser

Features and Benefits

- Counter-depth design - Offers a built-in look by fitting nearly flush with surrounding cabinetry
- Stainless steel exterior - Adds elegance to any kitchen décor
- Temperature management - Enjoy even cooling throughout the fresh food section
- Quick Ice setting - Create ice up to 50% faster than normal settings
- Turbo Cool setting - Drops interior temperature to maintain freshness after frequent openings
- Integrated shelf support system - Provides strong, flexible support
- Adjustable Clear Look door bins - Hold gallon containers with ease and free up valuable shelf space
- In-the-door beverage rack - Beverages are chilled and ready without taking up valuable space
- Adjustable slide-out, spillproof glass shelves - Raised edges help contain spills and make clean up quick and easy
- GE water filtration - six month filter - Removes impurities for fresh-tasting water
- Frost Guard technology - Controlled defrosting helps food retain flavor
- Model GZS23HSESS - Stainless steel



imagination at work