

GTWN5650F

GE® 3.9 DOE cu. ft. capacity washer with stainless steel basket

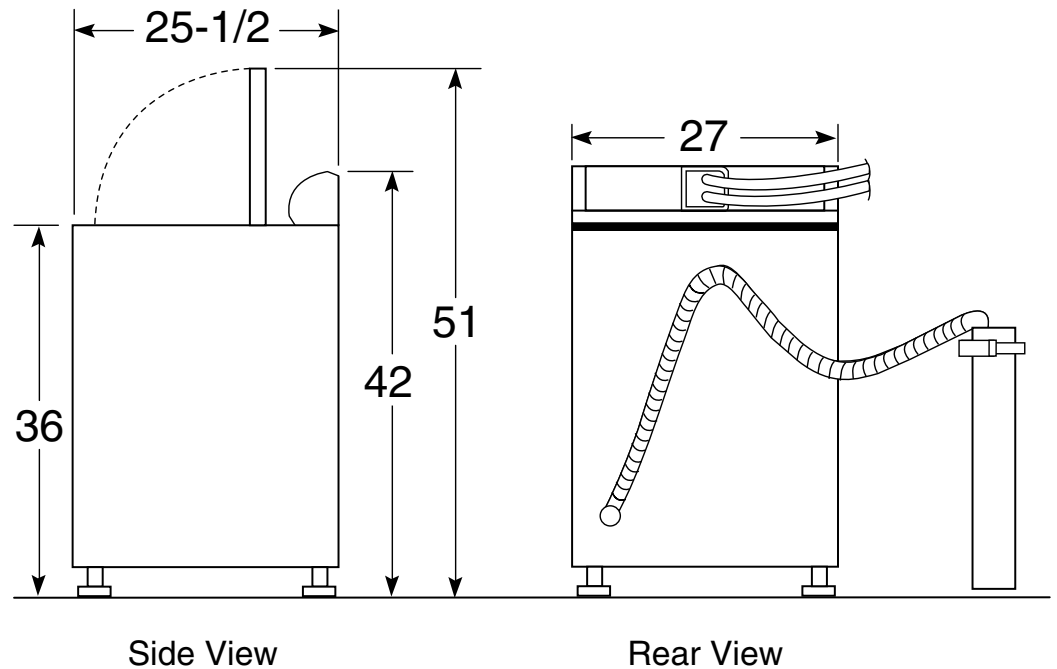
Dimensions and Installation Information (in inches)

Circuit Requirements: An individual, properly-grounded branch circuit, with a three-prong grounding-type receptacle, protected by a 15 or 20 amp circuit breaker or a time-delay fuse, is required.

Electrical Rating: 120V, 60Hz, 10A

Note: Washer wall outlet must be located within 36" of service code entry. Wall outlet must not be located behind dryer.

Installation Information: Before installing, consult installation instructions packed with product for current dimensional data.



For answers to your Monogram® Cafe™ Series, Profile™ Series or GE® appliance questions, visit our website at geappliances.com or call GE Answer Center® service, 800.626.2000.



imagination at work



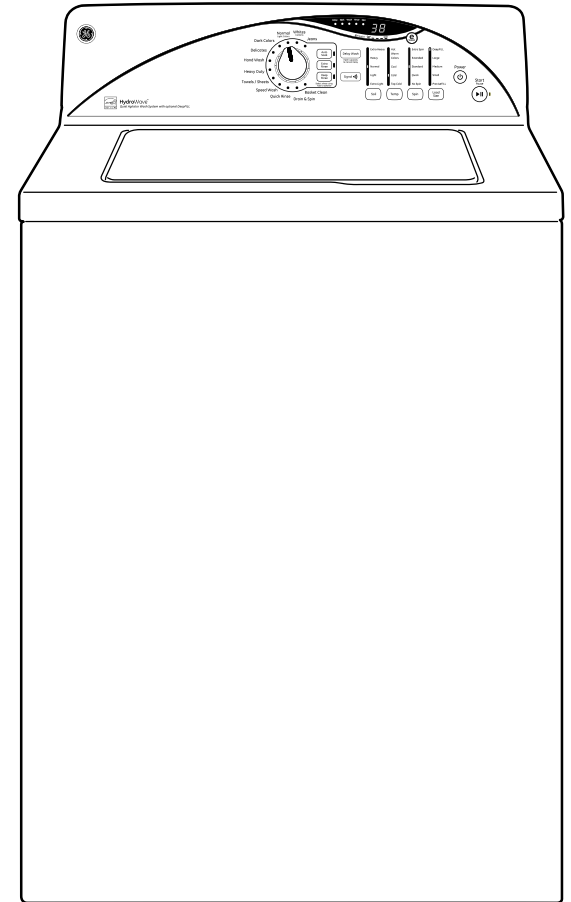
Listed by
Underwriters
Laboratories

GTWN5650F

GE® 3.9 DOE cu. ft. capacity washer with stainless steel basket

Features and Benefits

- ENERGY STAR® qualified - Meets or exceeds federal guidelines for energy efficiency for year-round energy and money savings
- HydroWave™ quiet agitator wash system - Get great cleaning results with the agitator system that uses variable-speed technology to tailor the wash action to specific clothing types
- LED electronic controls with cycle countdown display - Show exactly how much time is left for each cycle
- eWash option - Energy-saving option uses a cold water wash on select cycles without sacrificing performance
- eMonitor - Get the energy-saving insight you need to reduce your utility bills with an electronic readout that show the efficiency level of each load
- 20 Wash Cycles - Handle various fabrics and soils
- Precise Fill with the option of 5 water level selections - Maximize cleaning performance and shorten your wash time with this advanced feature that conserves resources by adding just the right amount of water
- Model GTWN5650FWS – White



Modified Energy Factor (MEF)	
Water Factor (WF)	



imagination at work

