

Installation Instructions

Unitized Electric Washer/Dryer

Questions on Installation? Call: 1-800-GEARES (US) or Visit our Web site at: www.GEAppliances.com (US).
In Canada, call 888-561-3344 or visit www.GEAppliances.ca

BEFORE YOU BEGIN

Read these instructions completely and carefully.

- **IMPORTANT**- Save these instructions for local inspector's use.
- **IMPORTANT**- Observe all governing codes and ordinances.
- **Note to Installer** - Be sure to leave these instructions with the customer.
- **Note to Customer** - Keep these instructions with your Use and Care Book for future reference.
- Before the appliance is removed from service or discarded, remove the washer and dryer doors.
- Inspect the dryer exhaust outlet and straighten the outlet walls if they are bent.
- Service information and the wiring diagram are located at the access panel.
- Do not allow children on or in the appliance. Close supervision of children is necessary when the appliance is used near children.
- Install the appliance where the temperature is above 50°F for satisfactory operation of the control system.

⚠ WARNING RISK OF FIRE

- To reduce the risk of severe injury or death, follow all installation instructions.
- Appliance installation must be performed by a qualified installer.
- Install the appliance according to these instructions and in accordance with local codes.
- This appliance must be exhausted to the outdoors.
- Use only 4" rigid metal ducting for exhausting the clothes dryer to the outdoors.
- **DO NOT** install a clothes dryer with flexible plastic ducting materials. If flexible metal (semi-rigid or foil-type) duct is installed, it must be UL listed and installed in accordance with the instructions found in "Connecting The Dryer To House Vent" on page 8 of this manual. Flexible venting materials are known to collapse, be easily crushed, and trap lint. These conditions will obstruct dryer airflow and increase the risk of fire.
- Do not install or store this appliance in any location where it could be exposed to water and or weather.
- Save these instructions. (Installers: Be sure to leave these instructions with the customer).

NOTE: Installation and service of this appliance requires basic mechanical and electrical skills. It is your responsibility to contact a qualified installer to make the electrical connections.

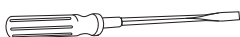
TOOLS YOU WILL NEED



Slip Pliers



Phillips Screwdriver



Flat-blade Screwdriver



1/4" Nutdriver

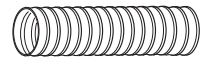


Level

MATERIALS YOU WILL NEED



4" DIA. METAL DUCT (RECOMMENDED)



4" DIA. FLEXIBLE METAL (SEMI-RIGID) UL LISTED TRANSITION DUCT (IF NEEDED) KIT WX08X10077 (INCLUDES 2 ELBOWS)



4" DIA. FLEXIBLE METAL (FOIL TYPE) UL LISTED TRANSITION DUCT (IF NEEDED)



4" COVER PLATE (IF NEEDED) (KIT WE1M454)



4" DUCT CLAMPS (2) OR 4" SPRING CLAMPS (2)



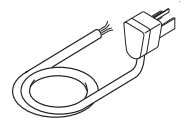
4" DIA. METAL ELBOW



EXHAUST HOOD



SAFETY GLASSES



APPLIANCE POWER CORD KIT (NOT PROVIDED)



DUCT TAPE



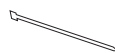
GLOVES



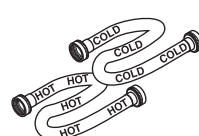
3/4" STRAIN RELIEF UL RECOGNIZED

UL RATED 120/240V, 30A WITH 3 OR 4 PRONGS. IDENTIFY THE PLUG TYPE AS PER THE HOUSE RECEPTACLE BEFORE PURCHASING LINE CORD.

PARTS SUPPLIED



1 Cable Tie



2 Washer Hoses



2 Rubber Washers



2 Stainer Screens/ Rubber Washers

(washers may be in water hoses)

Installation Instructions

INSTALLATION REQUIREMENTS LOCATION

This appliance must be installed on firm flooring to minimize vibration during spin cycle. Concrete flooring is best, but wood base is sufficient, provided floor support meets FHA standards. This appliance should not be installed on rugs or exposed to weather.

PLUMBING

WATER PRESSURE - Must be 20 psi minimum to 120 psi maximum.

WATER TEMPERATURE - Household water heater should be set to deliver water at 120° to 150°F (50° to 66°C) IN THE WASHER when hot wash is selected.

SHUTOFF VALVES - Both hot and cold shutoff valves (faucets) should be supplied.

DRAIN - Water may be drained into standpipe or set tub. Discharge height MUST NOT BE LESS THAN 30 INCHES, and no more than 6 feet above the base of the washer. Standpipe must be 1-1/2 inches minimum inside diameter and must be open to atmosphere.

ELECTRICAL REQUIREMENTS

CAUTION: Before plugging in washer, read the following electrical requirements.

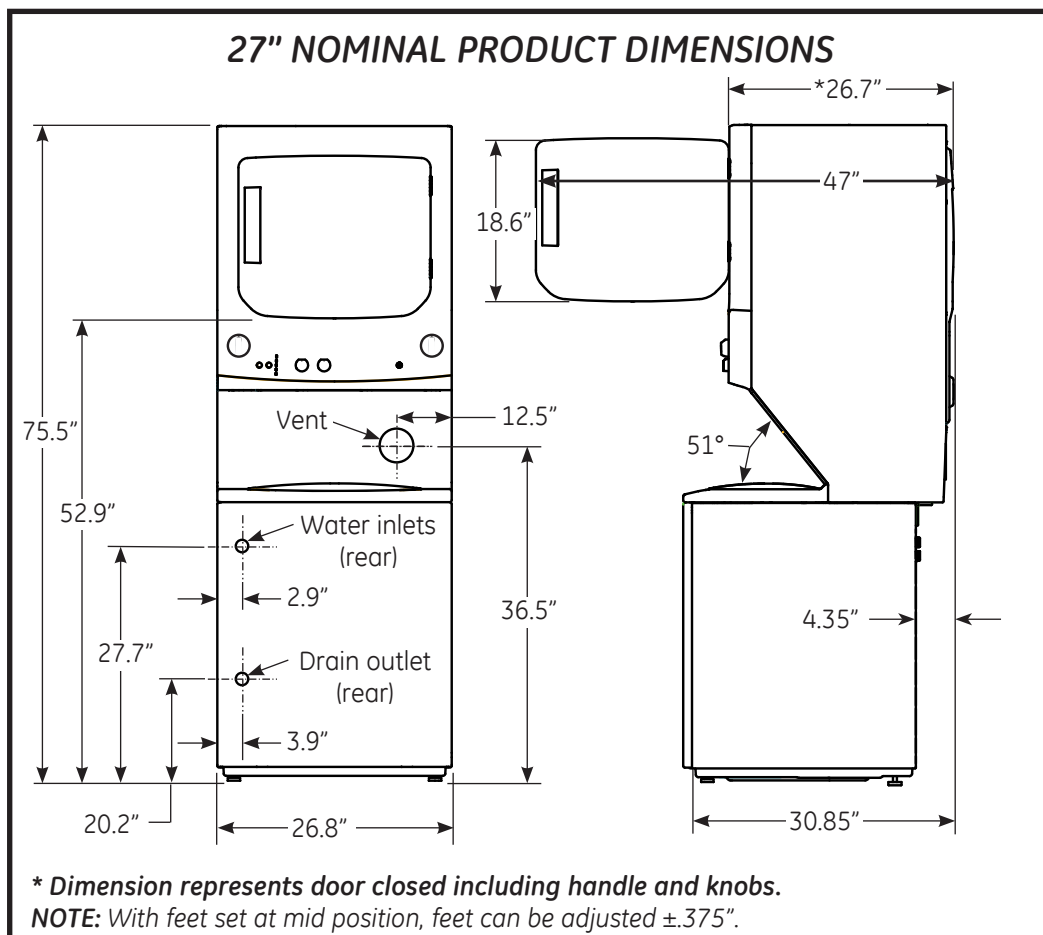
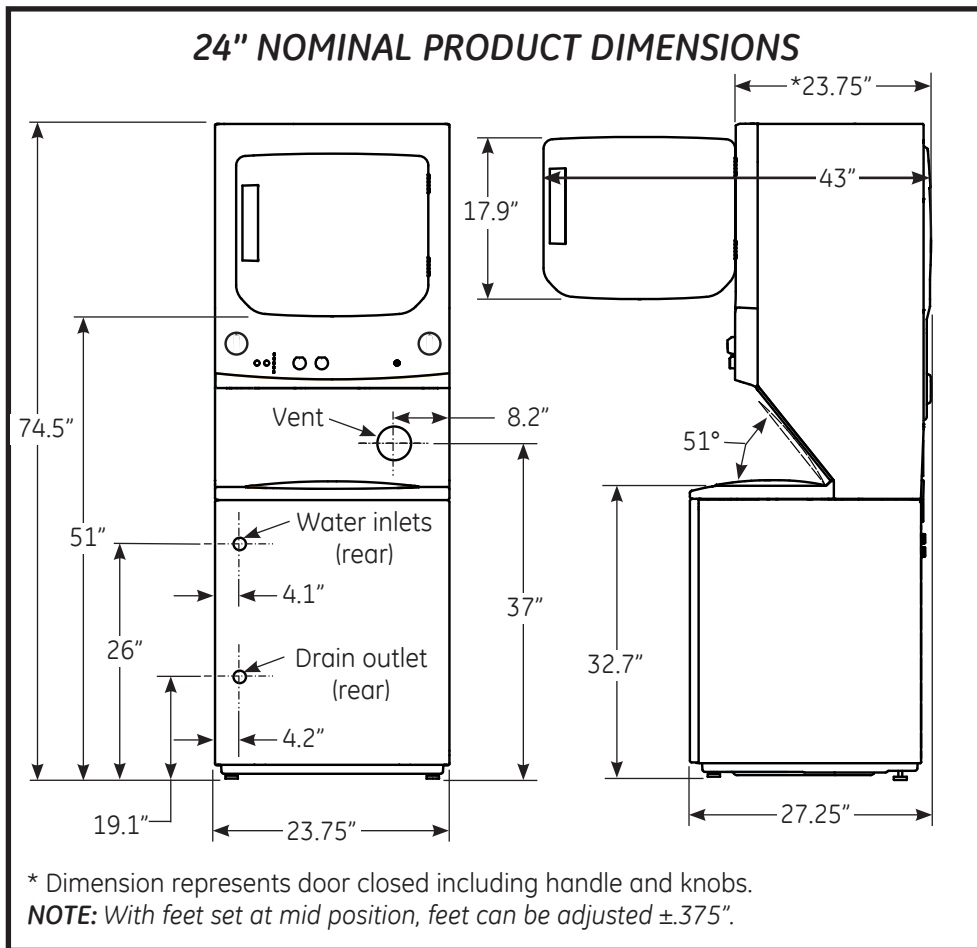
CAUTION: For personal safety, do not use an extension cord or adapter plug with this appliance. Do not, under any circumstances, cut or remove the third grounding prong from the power cord. Follow national electrical codes and ordinances. This appliance must be supplied with the voltage and frequency indicated on the rating plate (located at the top of the dryer front panel), and connected to an individual, properly grounded branch circuit, protected by a 30-amp circuit breaker or time-delay fuse. If the electric supply provided does not meet the above requirements, call a licensed electrician.

- Step 1 Prepare the Area and Exhaust for Installation of Appliance (see section 1).
- Step 2 Check and Ensure the Existing External Exhaust is Clean (see section 1) and Meets Attached Installation Specifications (see section 3).
- Step 3 Remove the Foam Shipping Pads (see section 1).
- Step 4 Move the Appliance to the Desired Location.
- Step 5 Connect the Power Supply (see section 2).
- Step 6 Connect the External Exhaust (see section 4).
- Step 7 Level Your Appliance (see section 5).
- Step 8 Connect to plumbing facilities (see section 8).

- Step 9 Check the Operation of the Power Supply and Venting.
- Step 10 Place the Owners Manual and the Installation Instructions in a Location Where They Will Be Noticed By the Owner.

For Alcove or Closet Installation, see section 10.
For Bathroom or Bedroom Installation, see section 11.
For Mobile or Manufactured Home see, section 9.
For side or bottom exhaust, see section 6.

Installation Instructions



Installation Instructions

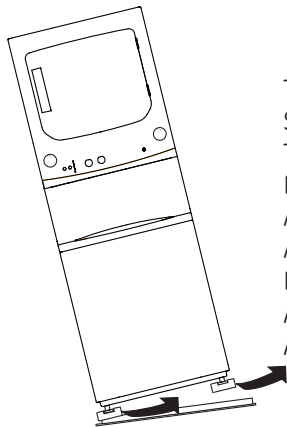
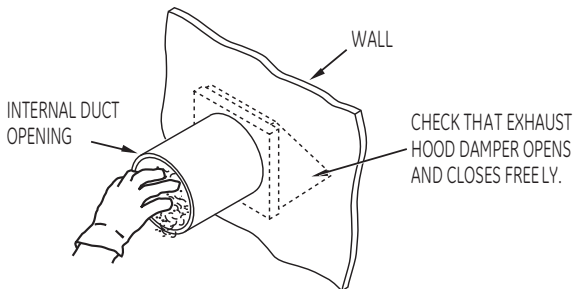
Minimum Clearance Other Than Alcove or Closet Installation

Minimum clearance to combustible surfaces and for air opening are: 0 in. clearance both sides and 1 in. rear. Consideration **must** be given to provide adequate clearance for installation and service.

1 PREPARING FOR INSTALLATION OF NEW APPLIANCE

REMOVING LINT FROM WALL EXHAUST OPENING

- Remove and discard existing plastic or metal foil transition duct and replace with UL listed transition duct.



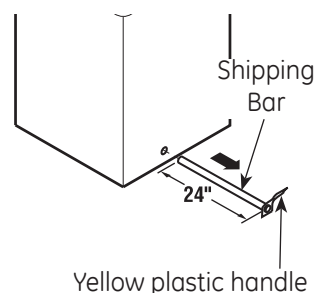
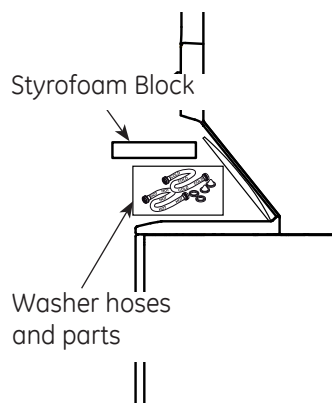
TILT THE APPLIANCE SIDEWAYS AND REMOVE THE FOAM SHIPPING PADS BY PULLING AT THE SIDES AND BREAKING THEM AWAY FROM THE APPLIANCE LEGS. BE SURE TO REMOVE ALL OF THE FOAM PIECES AROUND THE LEGS.

After the machine is in the home, remove remaining packing material/carton from washer.

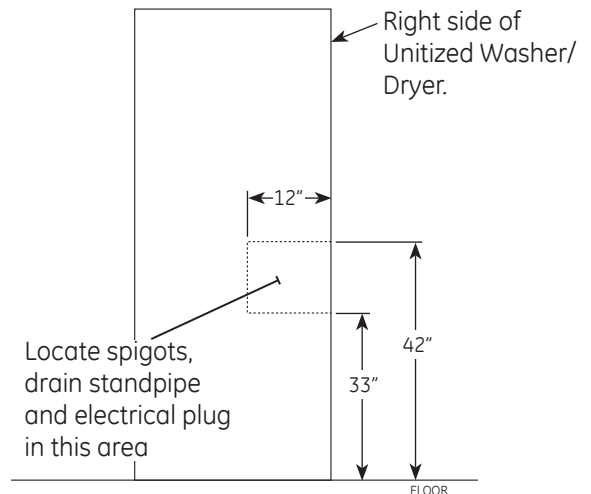
DO NOT REMOVE SHIPPING ROD AT THIS TIME.

Remove styrofoam block. Remove the bag containing the Washer hoses and parts from tub. Put styrofoam block back in tub opening to hold tub in place during the rest of installation.

Move washer close to final position. Make sure there is at least a 24" clearance on right side of washer to remove shipping bar. PULL SHIPPING BAR OUT USING YELLOW PLASTIC HANDLE. Keep bar so it can be reinstalled if washer is ever moved again.



NEW HOME OR REMODELING FAUCETS/ DRAIN STANDPIPE/ELECTRICAL LOCATION



2 ELECTRICAL CONNECTION INFORMATION

! WARNING - TO REDUCE THE RISK OF FIRE, ELECTRICAL SHOCK AND PERSONAL INJURY:

- DO NOT USE AN EXTENSION CORD OR AN ADAPTER PLUG WITH THIS APPLIANCE.

Appliance must be electrically grounded in accordance with local codes and ordinances, or in the absence of local codes, in accordance with the NATIONAL ELECTRICAL CODE, ANSI/NFPA NO. 70.

ELECTRICAL REQUIREMENTS

This appliance must be connected to an individual branch circuit, protected by the required time-delay fuses or circuit breakers. A four or three-wire, single phase, 120/240V or 120/208V, 60Hz, 30 amp circuit is required. If the electric supply does not meet the above specifications, then call a licensed electrician.

GROUNDING INSTRUCTIONS

- A. For a grounded, cord-connected appliance:

This appliance must be grounded. In the event of malfunction or breakdown, grounding will reduce the risk of electric shock by providing a path of least resistance of electric current. This appliance is equipped with a cord having an equipment-grounding conductor and a grounding plug. The plug must be plugged into an appropriate outlet that is properly installed and grounded in accordance with all local codes and ordinances.

! WARNING - Improper connection of the equipment-grounding conductor can result in a risk of electric shock. Check with a qualified electrician or serviceman if you are in doubt as to whether the appliance is properly grounded.

Installation Instructions

GROUNDING INSTRUCTIONS (Cont.)

Do not modify the plug provided with the appliance. If it will not fit the outlet, have a proper outlet installed by a qualified electrician.

B. For permanently connected appliance:

This appliance must be connected to a grounded, metal, permanent wiring system, or an equipment-grounding conductor must be run with the circuit conductors and connected to the equipment grounding terminal or lead on the appliance.

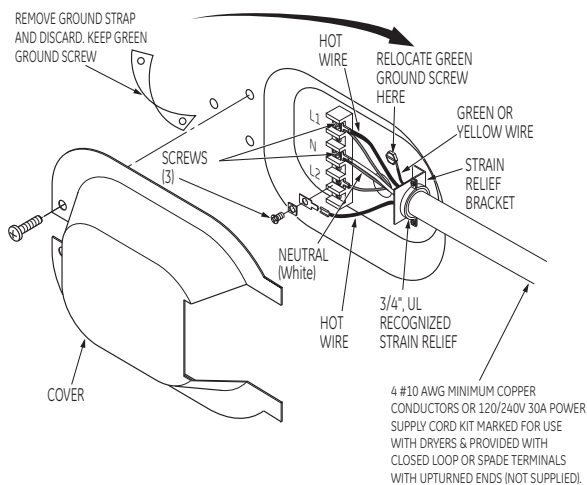
8. Properly secure power cord to strain relief.
9. Reinstall the cover.

⚠ WARNING: NEVER LEAVE THE COVER OFF OF THE TERMINAL BLOCK.

CONNECTING APPLIANCE USING 4-WIRE CONNECTION (MUST BE USED FOR MOBILE HOME INSTALLATION)

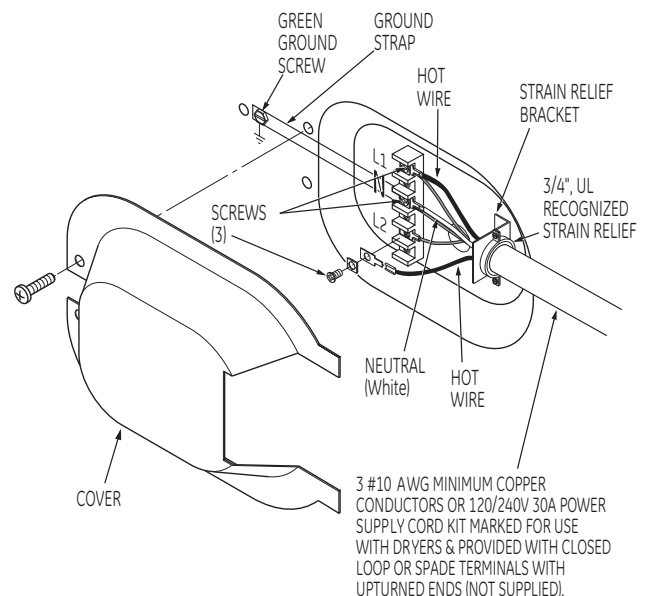
NOTES: Since January 1, 1996, the National Electric code requires that the new constructions utilize a 4-wire connection to an electric dryer.

⚠ WARNING: Only a 4-conductor cord shall be used when the appliance is installed in a location where grounding through the neutral conductor is prohibited. Grounding through the neutral is prohibited for the new branch-circuit installations, mobile homes, recreational vehicles, and areas where local codes prohibit grounding through the neutral conduction.



1. Turn off the circuit breaker (s) (30 amp) or remove the dryer's circuit fuse at the electrical box.
2. Be sure the appliance cord is unplugged from the wall receptacle.
3. Remove the power cord cover located at the lower back.
4. Remove and discard ground strap. Keep the green ground screw for step 7.
5. Install 3/4 in. UL recognized strain relief to power cord entry hole. Bring power cord through strain relief.
6. Connect power cord as follows:
 - A. Connect the 2 hot lines to the outer screws of the terminal block (marked L1 and L2).
 - B. Connect the neutral (white) line to the center of the terminal block (marked N).
7. Attach ground wire of power cord with the green ground screw (hole above strain relief bracket). Tighten all terminal block screws (3) completely.

CONNECTING DRYER USING 3-WIRE CONNECTION



1. Turn off the circuit breaker(s) (30 amp) or remove the dryer's circuit fuse at the electrical box.
2. Be sure the dryer cord is unplugged from the wall.
3. Remove the power cord cover located at the lower back.
4. Install 3/4 in. UL recognized strain relief to power cord entry hole. Bring power cord through strain relief.
5. Connect power cord as follows:
 - A. Connect the 2 hot lines to the outer screws of the terminal block (marked L1 and L2).
 - B. Connect the neutral (white) line to the center of the terminal block (marked N).
6. Be sure ground strap is connected to neutral (center) terminal of block and to green ground screw on cabinet rear. Tighten all terminal block screws (3) completely.
7. Properly secure power cord to strain relief.
8. Reinstall the cover.

⚠ WARNING: NEVER LEAVE THE COVER OFF OF THE TERMINAL BLOCK.

Installation Instructions

3 EXHAUST INFORMATION

⚠ WARNING - IN CANADA AND IN THE UNITED STATES, THE REQUIRED EXHAUST DUCT DIAMETER IS 4 IN (102mm). DO NOT USE DUCT LONGER THAN SPECIFIED IN THE EXHAUST LENGTH TABLE.

Using exhaust longer than specified length will:

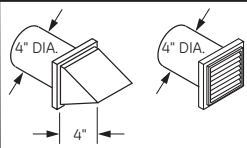
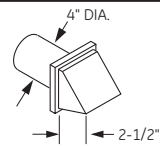
- Increase the drying times and the energy cost.
- Reduce the dryer life.
- Accumulate lint, creating a potential fire hazard.

The correct exhaust installation is YOUR RESPONSIBILITY. Problems due to incorrect installation are not covered by the warranty.

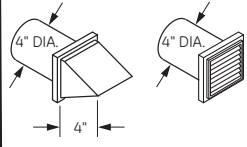
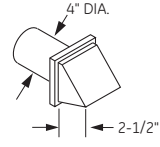
Remove and discard existing plastic or metal foil transition duct and replace with UL listed transition duct.

The **MAXIMUM ALLOWABLE** duct length and number of bends of the exhaust system depends upon the type of duct, number of turns, the type of exhaust hood (wall cap), and all conditions noted below. The maximum duct length for rigid metal duct is shown in the table below.

27" DRYER EXHAUST LENGTH

	RECOMMENDED MAXIMUM LENGTH	
	Exhaust Hood Types	
	Recommended	Use only for short run installations
		
No. of 90° Elbows	Rigid Metal	Rigid Metal
0	56 Feet	42 Feet
1	46 Feet	36 Feet
2	34 Feet	28 Feet
3	32 Feet	18 Feet

24" DRYER EXHAUST LENGTH

	RECOMMENDED MAXIMUM LENGTH	
	Exhaust Hood Types	
	Recommended	Use only for short run installations
		
No. of 90° Elbows	Rigid Metal	Rigid Metal
0	43 Feet	36 Feet
1	33 Feet	26 Feet
2	24 Feet	16 Feet

EXHAUST INFORMATION (cont)

EXHAUST SYSTEM CHECK LIST

HOOD OR WALL CAP

- Terminate in a manner to prevent back drafts or entry of birds or other wildlife.
- Termination should present minimal resistance to the exhaust air flow and should require little or no maintenance to prevent clogging.
- **Never** install a screen in or over the exhaust duct. This could cause lint build up.
- Wall caps must be installed at least 12 in. above ground level or any other obstruction with the opening pointed down.

SEPARATION OF TURNS

For best performance, separate all turns by at least 4 ft. of straight duct, including distance between last turn and exhaust hood.

TURN OTHER THAN 90°

- One turn of 45° or less may be ignored.
- Two 45° turns should be treated as one 90° turn.
- Each turn over 45° should be treated as one 90° turn.

SEALING OF JOINTS

- All joints should be tight to avoid leaks. The male end of each section of duct must point away from the dryer.
- Do not assemble the ductwork with fasteners that extend into the duct. They will serve as a collection point for lint.
- Duct joints can be made air and moisture-tight by wrapping the overlapped joints with duct tape.
- Horizontal runs should slope down toward the outdoors 1/2 inch per foot

INSULATION

Duct work that runs through an unheated area or is near air conditioning should be insulated to reduce condensation and lint build-up.

Installation Instructions

4 EXHAUST CONNECTION

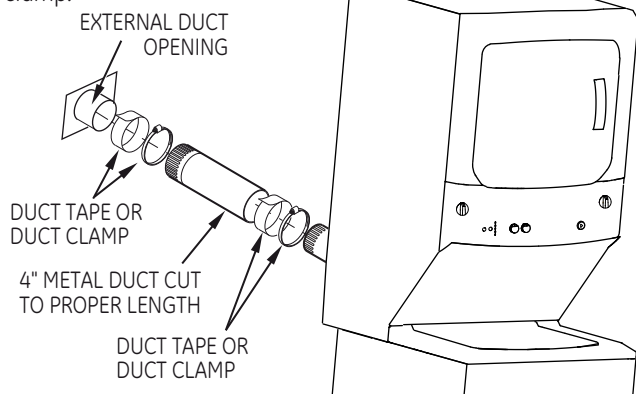
⚠ WARNING - TO REDUCE THE RISK OF FIRE OR PERSONAL INJURY:

- This appliance must be exhausted to the outdoors.
- Use only 4" rigid metal ducting for the home exhaust duct.
- Use only 4" rigid metal or UL-listed flexible metal (semi-rigid or foil-type) duct to connect the dryer to the home exhaust duct. It must be installed in accordance with the instructions found in "Connecting The Dryer To House Vent" on page 8 of this manual.
- Do not terminate exhaust in a chimney, a wall, a ceiling, gas vent, crawl space, attic, under an enclosed floor, or in any other concealed space of a building. The accumulated lint could create a fire hazard.
- Never terminate the exhaust into a common duct with a kitchen exhaust system. A combination of = grease and lint creates a potential fire hazard.
- Do not use duct longer than specified in the exhaust length table. Longer ducts can accumulate lint, creating a potential fire hazard.
- Never install a screen in or over the exhaust duct. This will cause lint to accumulate, creating a potential fire hazard.
- Do not assemble ductwork with any fasteners that extend into the duct. These fasteners can accumulate lint, creating a potential fire hazard.
- Do not obstruct incoming or exhausted air.
- Provide an access for inspection and cleaning of the exhaust system, especially at turns and joints. Exhaust system shall be inspected and cleaned at least once a year.

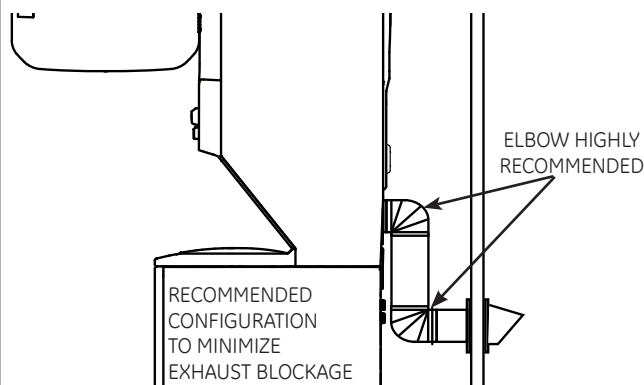
THIS DRYER COMES READY FOR REAR EXHAUSTING. IF SPACE IS LIMITED, USE THE INSTRUCTIONS IN SECTION 6 TO EXHAUST DIRECTLY FROM THE SIDES OR BOTTOM OF THE CABINET.

STANDARD REAR EXHAUST

For straight line installation, connect the dryer exhaust to the external exhaust hood using duct tape or clamp.

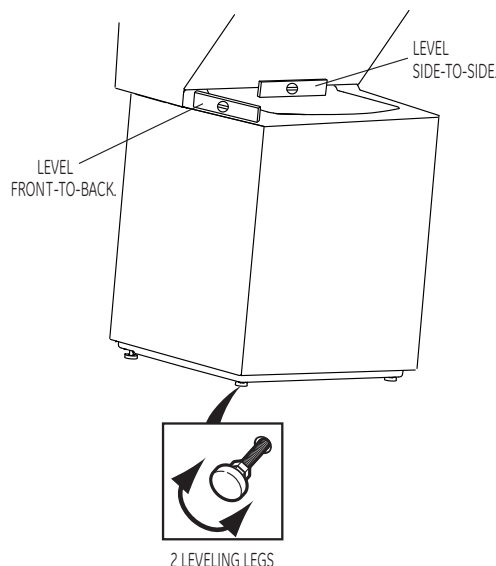


STANDARD REAR EXHAUST (Vented above floor level)



NOTE: ELBOWS WILL PREVENT DUCT KINKING AND COLLAPSING

5 LEVELING AND STABILIZING YOUR APPLIANCE



Level and stabilizing your appliance

1. Carefully move the appliance to its final location. Gently rock the appliance into position. It is important not to damage the rubber leveling legs when moving your appliance to its final location. Damage legs can increase appliance vibration. It may be helpful to spray window cleaner on the floor to help move your appliance to its final position.
2. To ensure the appliance is level and solid on all four legs, tilt the appliance forward so the rear legs are off the ground. Gently set the appliance back down to allow the rear legs to self adjust.
3. With the appliance in its final position, place a level on top of back part of the washer lid and check it side to side, then check front to back. Screw the front leveling legs up or down to ensure the appliance is resting solid on all four legs (no rocking or the appliance should exist), turn the lock nuts on each leg up toward the base of the unit and snug with a wrench.

Note: Keep the leg extension at minimum to prevent excessive vibration. The farther out legs are extended, the more the unit will vibrate.

Installation Instructions

CONNECTING THE DRYER TO HOUSE VENT RIGID METAL TRANSITION DUCT

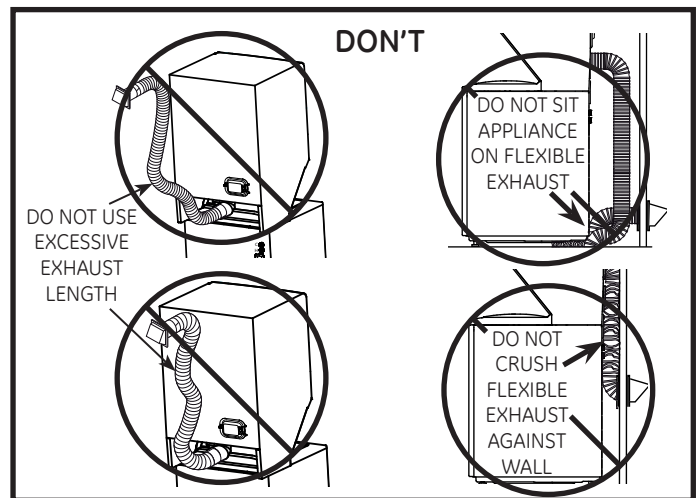
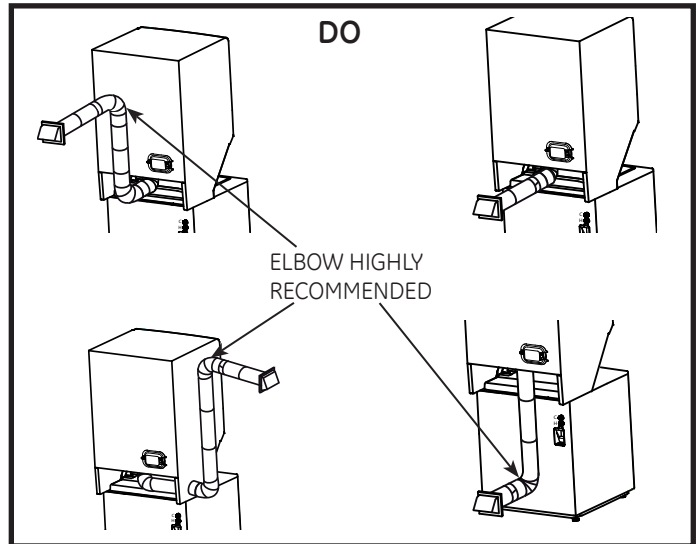
- For best drying performance, a rigid metal transition duct is recommended.
- Rigid metal transition ducts reduce the risk of crushing and kinking.

UL-LISTED FLEXIBLE METAL (SEMI-RIGID) TRANSITION DUCT

- If rigid metal duct cannot be used, then UL-listed flexible metal (semi-rigid) ducting can be used (Kit WX08X10077).
- Never install flexible metal duct in walls, ceilings, floors or other enclosed spaces.
- Total length of flexible metal duct should not exceed 8 feet (2.4m).
- For many applications, installing elbows at both the dryer and the wall is highly recommended (see illustrations). Elbows allow the appliance to sit close to the wall without kinking and or crushing the transition duct, maximizing drying performance.
- Avoid resting the duct on sharp objects.

UL-LISTED FLEXIBLE METAL (FOIL-TYPE) TRANSITION DUCT

- In special installations, it may be necessary to connect the dryer to the house vent using a flexible metal (foil-type) duct. A UL-listed flexible metal (foil-type) duct may be used **ONLY** in installations where rigid metal or flexible metal (semi-rigid) ducting cannot be used **AND** where a 4" diameter can be maintained throughout the entire length of the transition duct.
- In Canada and the United States, only the flexible metal(foil-type) ducts that comply with the "Outline for Clothes Dryer Transition Duct Subject 2158A" shall be used.
- Never install flexible metal duct in walls, ceilings, floors or other enclosed spaces.
- Total length of flexible metal duct should not exceed 8 feet (2.4m).
- Avoid resting the duct on sharp objects.
- For best drying performance:
 1. Slide one end of the duct over the clothes dryer outlet pipe.
 2. Secure the duct with a clamp.
 3. With the dryer in its permanent position, extend the duct to its full length. Allow 2" of duct to overlap the exhaust pipe. Cut off and remove excess duct. Keep the duct as straight as possible for maximum airflow.
 4. Secure the duct to the exhaust pipe with the other clamp.

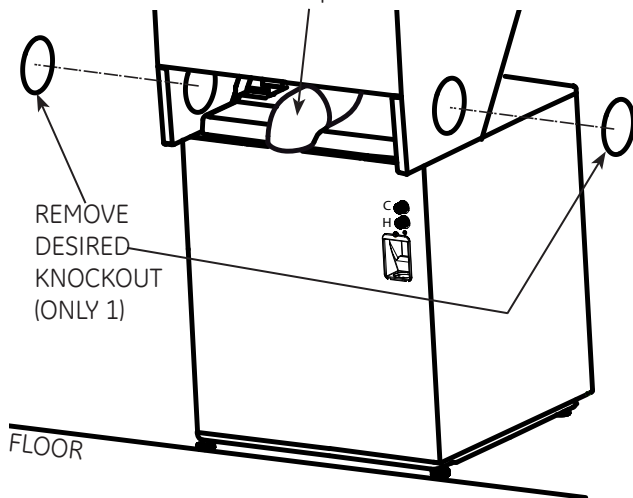


Installation Instructions

6 24" MODELS ONLY: DRYER EXHAUST TO RIGHT, LEFT OR BOTTOM CABINET

⚠ WARNING - BEFORE PERFORMING THIS EXHAUST INSTALLATION, BE SURE TO DISCONNECT THE APPLIANCE FROM ITS ELECTRICAL SUPPLY. PROTECT YOUR HANDS AND ARMS FROM SHARP EDGES WHEN WORKING INSIDE THE CABINET. BE SURE TO WEAR GLOVES

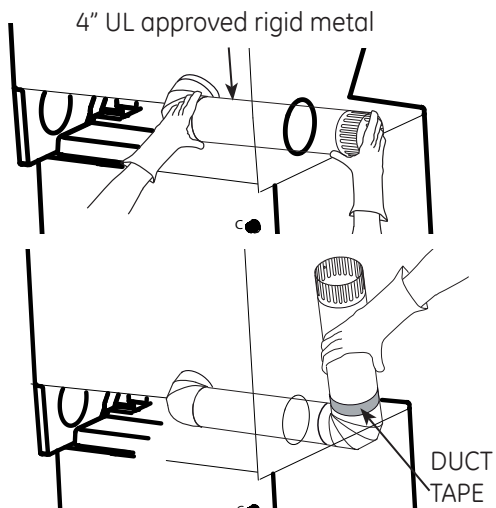
For downward venting, rotate elbow sections so that elbow points downward



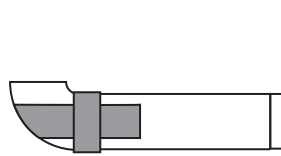
ADDING ELBOW AND DUCT FOR EXHAUST TO LEFT OR RIGHT SIDE OF CABINET

- Rotate elbow sections so that the opening points to the side to which you want to vent. Preassemble 4" elbow with 4" duct. Use only 4" UL approved rigid metal for ducting inside the dryer.
- Connect duct assembly to the internal elbow.

⚠ CAUTION: Be sure not to pull or damage the electrical wires inside the dryer when inserting the duct.



- Apply duct tape as shown on the joint between the dryer internal duct and the straight duct pipe.

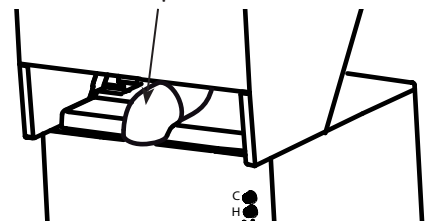


⚠ CAUTION:
Internal duct joints must be secured with tape, otherwise they may separate and cause a safety hazard.

27" MODELS ONLY: DRYER EXHAUST TO RIGHT, LEFT OR BOTTOM CABINET

⚠ WARNING - BEFORE PERFORMING THIS EXHAUST INSTALLATION, BE SURE TO DISCONNECT THE APPLIANCE FROM ITS ELECTRICAL SUPPLY. PROTECT YOUR HANDS AND ARMS FROM SHARP EDGES WHEN WORKING INSIDE THE CABINET. BE SURE TO WEAR GLOVES.

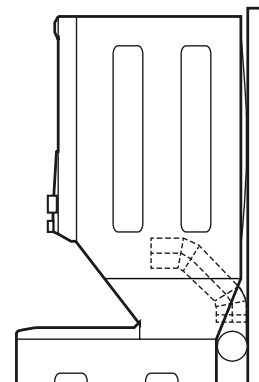
For downward venting, rotate elbow sections so that elbow points downward



EXHAUST TO LEFT OR RIGHT SIDE OF CABINET

- Rotate elbow sections so that the opening points to the side to which you want to vent. Preassemble 4" elbow with 4" duct. Use only 4" UL approved rigid metal for ducting inside the dryer.
- Connect duct assembly to the internal elbow.

⚠ CAUTION: Be sure not to pull or damage the electrical wires inside the dryer when inserting the duct.



- Apply duct tape as shown on the joint between the dryer internal duct and the straight duct pipe.



⚠ CAUTION:
Internal duct joints must be secured with tape, otherwise they may separate and cause a safety hazard.

Installation Instructions

7 PLUMBING INFORMATION

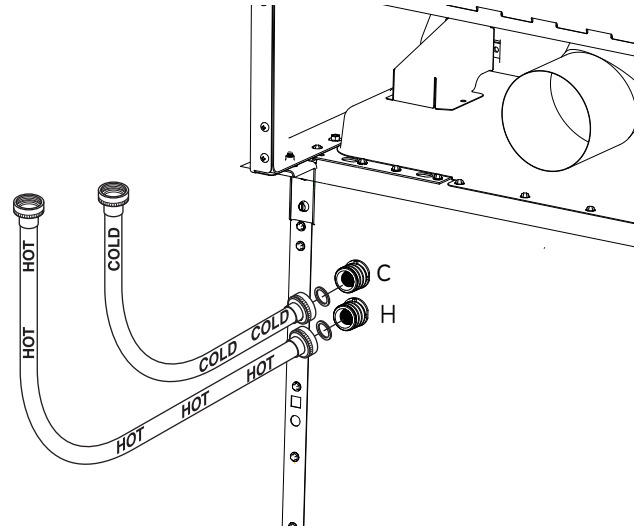
WATER SUPPLY REQUIREMENTS

- **HOT AND COLD WATER FAUCETS** – Must be within 42" of the appliance water inlet hose connections. The faucets must be 3/4" garden hose-type so inlet hoses can be connected.
- **WATER PRESSURE** – Must be between 10 and 120 pounds per square inch with a maximum unbalance pressure, hot vs. cold flowing, of 10 pounds per square inch.
- **WATER TEMPERATURE** – Water heater should be set to deliver 140° to 150°F (60° to 66°C) in the washer when HOT wash is selected.
- **SHUT-OFF VALVES** – Both hot and cold water shut-off valves (faucets) should be supplied.
- **LOCATION** – Do not install appliance in an area where the temperature will fall below freezing. If appliance is stored or transported in freezing temperatures, be sure all water from the fill and drain systems has been removed.

DRAIN REQUIREMENTS

- **DRAIN RATE** – The drain or standpipe must be capable of accepting a discharge at the rate of 16 gallons per minute.
- **DRAIN HEIGHT** – The drain height must be 33" minimum and 96" maximum.
- **STANDPIPE DIAMETER** – The standpipe diameter must be 1-1/2" minimum. There **MUST** be an air gap around the drain hose in the standpipe. A snug fit can cause a siphoning action.
- **SIPHON BREAK KIT** – For a drain facility less than 33" high, the hose, coupling and clamps provided in the machine must be used and, in addition, a siphon break **MUST** be installed on the back of the machine. Use Siphon Break Kit WH49X228 and follow instructions in the kit.

8 CONNECTING TO PLUMBING FACILITIES

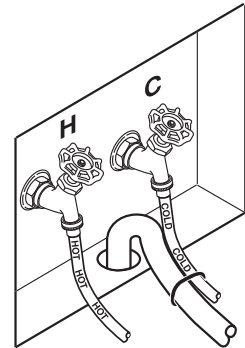


If not installed, install rubber washer in one end of hot water hose. Thread hot water hose onto connection labeled **H** at top rear of washer. Hand tighten, plus an additional 1/8 turn with pliers.

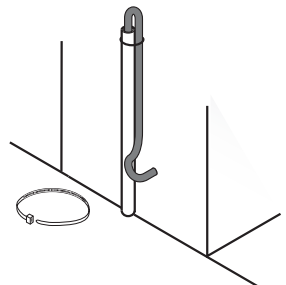
If not installed, install rubber washer in one end of cold water hose. Thread cold water hose onto connection labeled **C** at top rear of washer. Hand tighten, plus an additional 1/8 turn with pliers.

Move appliance as close to final location as possible, leaving room for you to make water, drain, electrical and vent connections to your home.

NOTE: If longer drain hose is required, order drain hose extension kit, GE part number WH49X301. Connect additional drain hose (contained in kit) to original hose with hose clamp (contained in kit).



Insert free end of drain hose into drain opening of your home up to drain hose stopper (do not remove hose stopper it prevents siphoning). If water valves and drain are built into wall, fasten drain hose to one of water hoses with cable tie provided (ribbed side on inside). If your drains is a standpipe, fasten drain hose to standpipe with cable tie provided.

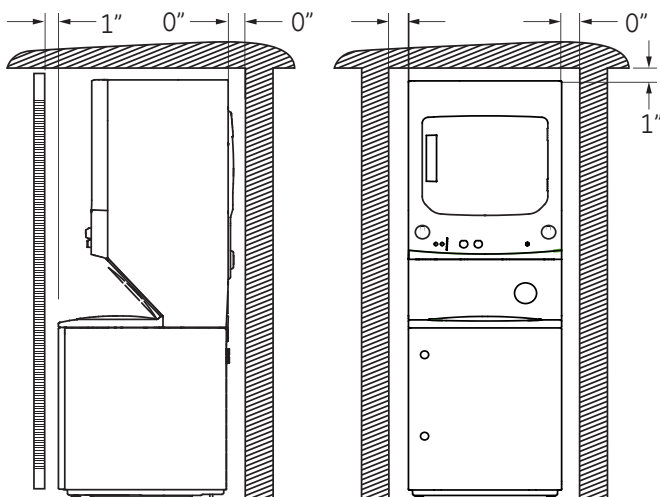


Installation Instructions

9 MOBILE OR MANUFACTURED HOME INSTALLATION

- Installation **MUST** conform to the **MANUFACTURED HOME CONSTRUCTION & SAFETY STANDARD, TITLE 24, PART 32-80** or, when such standard is not applicable, with **AMERICAN NATIONAL STANDARD FOR MOBILE HOME, ANSI/NFPA NO. 501B**.
- The appliance **MUST** be vented to the outdoors with the termination securely fastened to the mobile home structure.
- The vent **MUST NOT** be terminated beneath a mobile or manufactured home.
- The vent duct material **MUST BE METAL**.
- Do not use sheet metal screws or other fastening devices which extend into the interior of the exhaust vent.
- See section 2 for electrical connection information.

10 ALCOVE OR CLOSET INSTALLATION



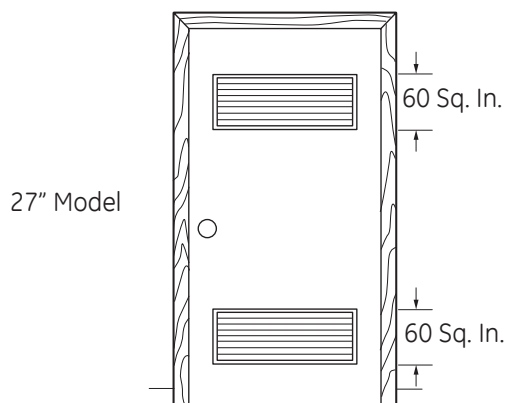
- If your appliance is approved for installation in an alcove or closet, it will be stated on a label on the appliance back.
- TO PREVENT LARGE AMOUNTS OF LINT AND MOISTURE FROM ACCUMULATING AND TO MAINTAIN DRYING EFFICIENCY, THIS MACHINE MUST BE EXHAUSTED OUTDOORS.
- Do not install this appliance with less than the minimum clearances shown above.

CONSIDERATION MUST BE GIVEN TO PROVIDE ADEQUATE CLEARANCES FOR INSTALLATION AND SERVICE.

CAUTION: DO NOT INSTALL THIS APPLIANCE IN A CLOSET WITH A SOLID DOOR.

DOOR VENTILATION OPENING (27" MODELS)

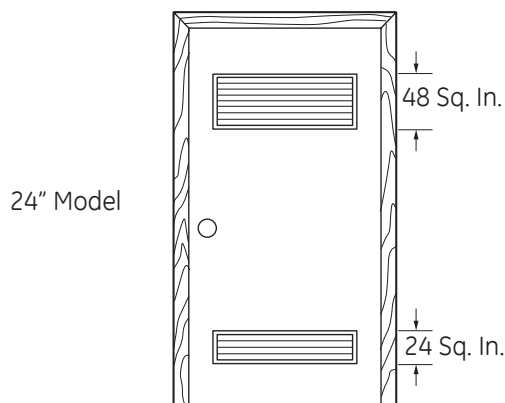
A minimum of 120 square inches of opening, equally divided at top and bottom, is required. Air openings are required to be unobstructed when a door is installed. A louvered door with equivalent air openings for the full length of the door is acceptable.



When louvers or registers are placed in door openings, the free air openings of the louvers or registers must equal 120 square inches.

DOOR VENTILATION OPENING (24" MODELS)

A minimum of 72 square inches of opening is required. Air openings are required to be unobstructed when a door is installed. A louvered door with equivalent air openings for the full length of the door is acceptable.



When louvers or registers are placed in door openings, the free air openings of the louvers or registers must equal 72 square inches.

11 BATHROOM OR BEDROOM INSTALLATION

- The appliance **MUST** be vented to the outdoors. See **EXHAUST INFORMATION** section 3 & 4.
- The installation must conform with local codes or, in the absence of local codes, with the **NATIONAL ELECTRICAL CODE, ANSI/NFPA NO. 70**.

Installation Instructions

12 SERVICING

⚠ WARNING- LABEL ALL WIRES PRIOR TO DISCONNECTION WHEN SERVICING CONTROLS. WIRING ERRORS CAN CAUSE IMPROPER AND DANGEROUS OPERATION AFTER SERVICING/INSTALLATION.

For replacement parts and other information, refer to Owner's Manual for servicing phone numbers.

TO REGISTER YOUR DRYER

CALL TOLL-FREE

1-888-269-1192

In Canada call 888-561-3344

Prompt registration confirms your right to protection under the terms of your warranty.

www.GEAppliances.com (US)

www.GEAppliances.ca (Canada)

For Questions on Installation, Call: 1-800-GE CARES (US)

Instructions D'Installation

Laveuse/Sécheuse Electriques Unifiées

Question sur l'installation? Appelez au 888.561.3344 (Canada)
Ou visitez notre site web : www.electromenagersge.ca

AVANT DE COMMENCER

Lisez les instructions complètement et avec attention.

- **IMPORTANT** - Gardez ces instructions pour une utilisation possible par un réparateur local.
- **IMPORTANT** - Respectez les normes en vigueur et ordonnances.
- **Note pour l'installateur** - Assurez-vous de laisser ces instructions avec le client.
- **Note pour le client** - Gardez ces instructions avec votre manuel d'utilisation et d'entretien pour une consultation future possible.
- Avant que l'appareil soit déplacé après réparation ou pour être jeté, enlevez les portes de la laveuse et de la sécheuse.
- Contrôlez les sorties d'échappement et redressez l'installation sur le mur si elle est tordue.
- Les informations de réparation et le diagramme des conduits sont situés sur le tableau d'accès.
- Empêchez les enfants d'être sur ou dans l'appareil. Une supervision proche des enfants est nécessaire lorsque l'appareil est utilisé.
- Installez l'appareil où la température est en-dessous de 50°F pour un fonctionnement satisfaisant du système de contrôle.

⚠ ATTENTION RISQUE D'INCENDIE

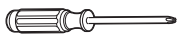
- Pour réduire les risques de blessures graves ou de mort, suivez les instructions d'installation.
- L'installation de l'appareil doit être faite par une personne qualifiée.
- Installez l'appareil selon ces instructions et conformément aux normes locales.
- Cette sécheuse doit avoir un système d'échappement vers l'extérieur.
- Utilisez seulement des conduits rigides en métal de 4" pour la canalisation de la sécheuse vers l'extérieur.
- NE PAS installer une sécheuse avec des conduits flexibles en plastique. Si les conduits flexibles de métal (semi-rigide ou en aluminium) sont installés, ils doivent être UL et installés conformément aux instructions trouvées dans « Branchez La Sécheuse Aux Conduits de la Maison » de la page 8 de ce manuel. Les matériaux des conduits flexibles sont connus pour se fendre, s'écraser et être des pièges à peluches. Ces conditions feront obstacle au flux d'air de la sécheuse et augmenteront les risques d'incendie.
- N'installez pas et n'entreposez pas cet appareil dans un endroit où il pourrait être exposé à l'eau ou au climat.
- Gardez les instructions. (l'installateur doit s'assurer de laisser ces instructions chez le client).

NOTE: L'installation et la réparation de cet appareil exigent des connaissances basiques en mécanique et en électricité. C'est votre responsabilité de contacter un installateur qualifié pour faire les connexions électriques

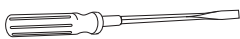
OUTILS A UTILISER



Pince



Tourne-vis Croix



Tourne-vis Plat



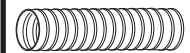
Tourne-vis A Douille 1/4"



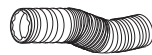
Niveau



TUYAU EN METAL DE DIAM 4" (RECOMMANDE)



TUYAU FLEXIBLE EN METAL (SEMI RIGIDE) UL DE DIAM 4" (SI NECESSAIRE) KIT WX08X10077 (2 COUDES INCLUS)



TUYAU FLEXIBLE EN METAL (SEMI RIGIDE) UL DE DIAM 4" (SI NECESSAIRE)

MATERIEL NECESSAIRE



2 PINCES DE TUYAU 4" OU 2 PINCES TENDEUR 4"



ROULEAU ADHESIF POUR TUYAU



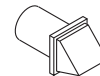
GANTS



CACHE DE PROTECTION (SI NECESSAIRE) DE 4" (KIT WE1M454)



COUDE DE METAL DE DIAM 4"



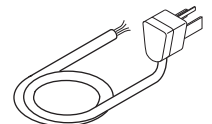
CAPUCHON D'ECHAPPEMENT



3/4" RÉDUCTEUR DE TENSION (UL RECONNUE)



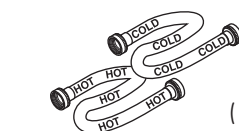
LUNETTES DE SECURITE



CORDON ELECTRIQUE D'ALIMENTATION (NON INCLUT) CONVERSION UL 120/240V, 30° AVEC 3 OU 4 DENTS. IDENTIFIEZ LE TYPE DE PRISE TEL QUE LE RECEPTACLE DE LA MAISON L'EXIGE AVANT D'ACHETER LES FILS ELECTRIQUES.

PIECES FOURNISES

1 collier en plastique



2 tuyaux de la laveuse

2 Rondelles en Caoutchouc (les joints peuvent être dans les tuyaux à eau)

Rondelles en caoutchouc

Instructions d'Installation

CONDITIONS D'INSTALLATION DEL'EMPLACEMENT

Cet appareil doit être installé sur un sol solide pour minimiser les vibrations durant le cycle d'essorage. Le sol en béton est meilleur, mais une base en bois est suffisante. Cet appareil ne devrait pas être installé sur un tapis ou exposé au climat.

PLOMBERIE

PRESSION DE L'EAU – Elle doit être de 20 psi minimum et 120 psi maximum.

TEMPERATURE DE L'EAU – le chauffe-eau de votre maison doit être configuré pour distribuer une eau de 120° à 150°F (50° à 66° C) DANS LA LAVEUSE lorsque l'eau chaude est sélectionnée.

VALVES DE FERMETURE – La valve de fermeture d'eau froide et celle d'eau chaude (robinet) doivent être fournies.

DRAINAGE – L'eau peut être drainée par le tuyau de rejet à l'égout ou par le bac configuré. La hauteur de l'écoulement.

NE DOIT PAS ETRE INFERIEURE A 30 POUCES, et pas plus de 6 pieds au-dessus de la base de la laveuse. Le tuyau de rejet à l'égout doit mesurer 1-1/2 pouce minimum à l'intérieur du diamètre et doit être ouverte vers l'extérieur.

CONDITIONS ELECTRIQUES

PRUDENCE: Avant de brancher la laveuse, lisez les conditions électriques suivantes.

PRUDENCE: Pour votre propre sécurité, n'utilisez pas de rallonge ou d'adaptateur avec cet appareil. Ne coupez pas ni enlevez la troisième dent de la prise électrique correspondant à la masse. Suivez les normes électriques nationales pour le voltage et la fréquence indiqués sur la plaque de conversion (située au-dessus de la sècheuse sur le tableau avant), et branchez à une prise individuelle, correctement connectée à la terre, protégée par disjoncteur de 30-amp ou un fusible à retardement. Si l'installation électrique ne répond pas aux conditions ci-dessus, appelez un électricien qualifié.

- Etape 1 Préparez la Zone et l'Echappement de l'installation de l'Appareil (voir section 1).
- Etape 2 Vérifiez et Assurez l'Echappement Existant Externe qu'il soit Propre (voir section 1) et les Spécifications d'Installation Ci-jointes (voir section 3).
- Etape 3 Enlevez la Mousse de Rembourrage de Transport (voir section 1).
- Etape 4 Déplacez l'appareil au Lieu Désiré.
- Etape 5 Branchez l'appareil au Courant Electrique (voir section 2).
- Etape 6 Branchez l'Echappement Externe (voir section 4).
- Etape 7 Nivelez l'appareil (voir section 5).
- Etape 8 Raccordez au système de plomberie (voir section 8)

Etape 9 Vérifiez le Fonctionnement du Courant Electrique et la Ventilation.

Etape 10 Placez le Manuel de l'Utilisateur et les Instructions d'Installation dans un Lieu Où Ils Seront Trouvés Par le Propriétaire.

Pour le Renforcement ou l'Installation dans un Meuble, voir section 10.

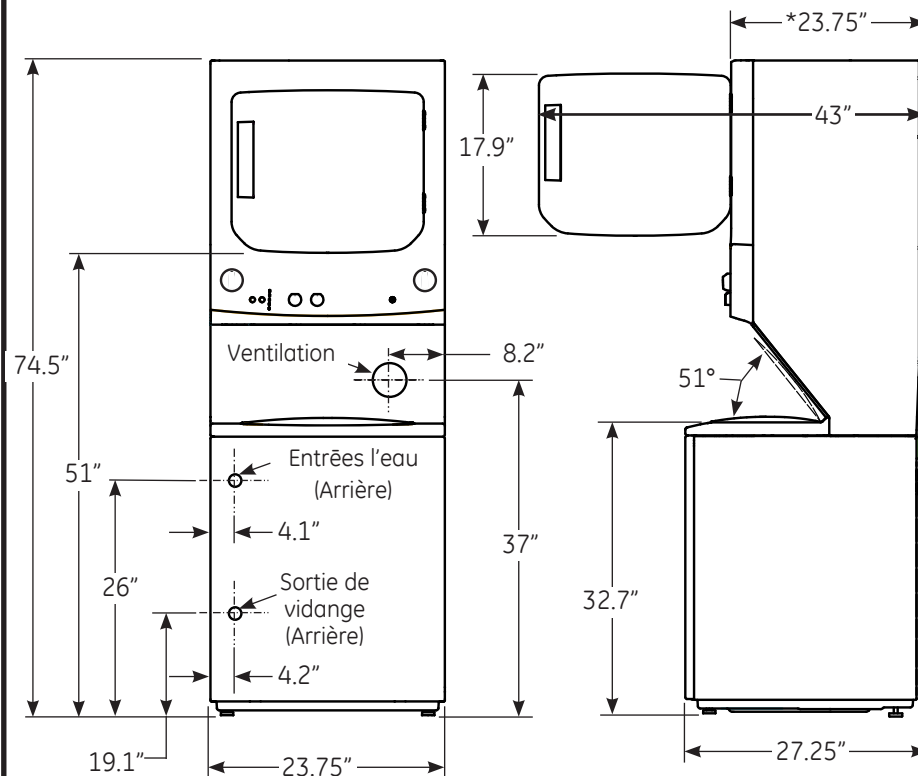
Pour l'installation dans une salle de bain ou une chambre, voir section 11.

Pour l'installation dans un mobile home, voir section 9.

Pour l'échappement de côté ou arrière, voir section 6.

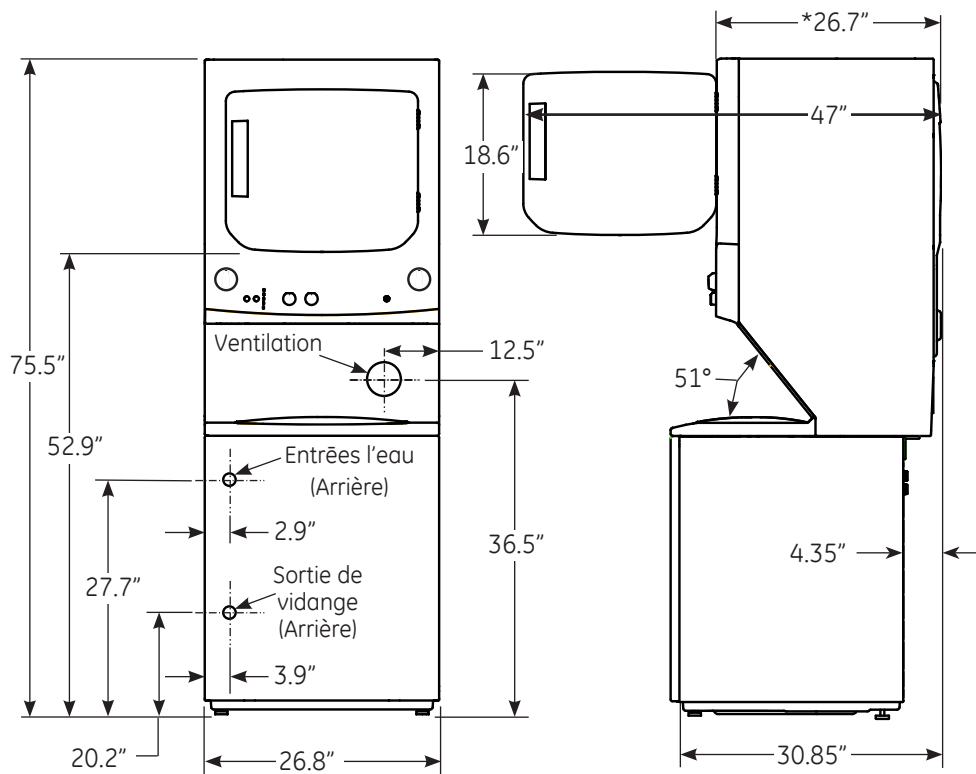
Instructions d'Installation

DIMENSIONS NOMINALES DU PRODUIT 24"



* Dimensions lorsque les portes sont fermées incluant les poignées et les boutons
NOTE : Dimensions en pieds, correspondant à ± 3/75".

DIMENSIONS NOMINALES DU PRODUIT DE 27"



* Dimensions lorsque les portes sont fermées incluant les poignées et les boutons
NOTE : Dimensions en pieds, correspondant à ± 3/75".

Instructions d'Installation

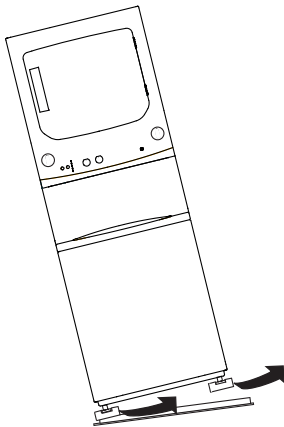
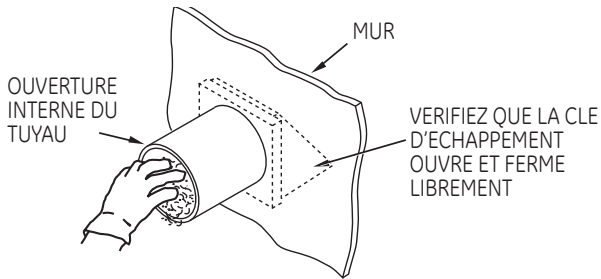
Espace Minimum Autre Que le Renforcement ou l'installation Dans un Meuble

L'espace minimum pour les surfaces combustibles et l'ouverture d'air sont : 0 in. d'espace de chaque côté et 1 in. à l'arrière. Les considérations doivent être données pour fournir un espace adéquat pour l'installation et la réparation.

1 SE PREPARER POUR L'INSTALLATION D'UN NOUVEL APPAREIL

ENLEVER LES PELUCHES DE L'OUVERTURE D'ECHAPPEMENT DU MUR

- Enlevez et débarrassez-vous des feuilles de métal et de plastique du tuyau de transition et remplacez-le avec un tuyau de transition UL.



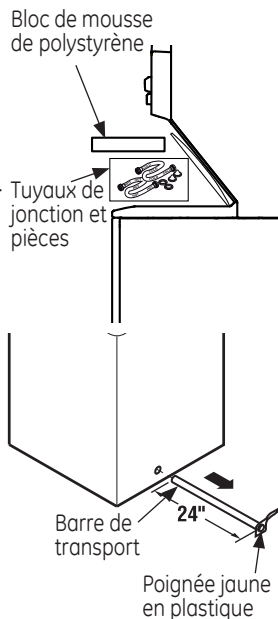
PENCHER L'UNITÉ VERS LE CÔTÉ ET ENLEVER LES PROTECTIONS DE TRANSPORT DE STYROMOUSSE EN LES BRISANT VERS L'EXTÉRIEUR DES PATTES DE L'UNITÉ. S'ASSURER D'ENLEVER TOUS LES MORCEAUX DE STYROMOUSSE AUTOURS DES PATTES.

Après que la machine soit dans votre maison, enlevez les matériaux restants et cartonnez la laveuse.

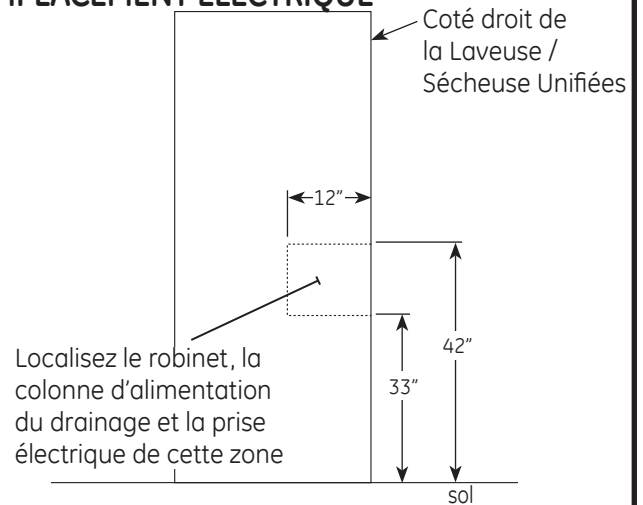
N'ENLEVEZ PAS LES BARRES DE TRANSPORT POUR LE MOMENT.

Enlevez le bloc de mousse de polystyrène. Enlevez le sac contenant les Tuyaux de jonction et les pièces du bac. Mettez le bloc de mousse de polystyrène dans l'ouverture du bac pour tenir le bac en place durant le reste de l'installation. Déplacez la laveuse vers la position finale. Assurez-vous qu'il y ait au moins 24" d'espace à droite de la laveuse pour enlever les barres de transport.

TIREZ LES BARRES DE TRANSPORT VERS L'EXTÉRIEUR UTILISANT LA POIGNEE JAUNE ENPLASTIQUE. Gardez les barres au cas où vous devriez la réinstallé ou si la laveuse est déplacée plus tard.



NOUVELLE MAISON ET ROBINETS REMODELES / LE TUYAU DE VIDANGE A L'EGOUT / EMBLACEMENT ELECTRIQUE



2 INFORMATION SUR LE BRANCHEMENT ELECTRIQUE

⚠ ATTENTION - POUR REDUIRE LES RISQUES D'INCENDIE, DE DECHARGE ELECTRIQUE ET DE BLESSURE PERSONNELLE :

- N'UTILISEZ PAS DE RALONGE ELECTRIQUE OU D'ADAPTATEUR AVEC CET APPAREIL.

Cet appareil doit être branché à la terre conformément aux normes locales et ordonnances, ou dans l'absence de normes locales, conformément AUX NORMES ELECTRIQUES NATIONALES, ANSI/NFPA NO. 70.

CONDITIONS ELECTRIQUES

Cet appareil doit être branché à une prise électrique individuelle, protégée par un fusible retardateur ou un disjoncteur. Tétraphasé ou triphasé, uniphasé, 120/240V ou 120/208V, 60Hz, circuit de 30 amp est requis. Si l'installation électrique ne répond pas aux spécifications ci-dessus, alors appelez un électricien qualifié.

INSTRUCTIONS DE MASSE

- A. Pour une mise à la terre, de l'électroménager cordon-connectés:

Cet appareil doit être mis à la terre. En cas de défaillance ou de panne, la terre réduira le risque de choc électrique en fournissant un chemin de moindre résistance du courant électrique. Cet appareil est équipé d'un cordon comportant un conducteur de terre et une fiche de terre. La fiche doit être branchée dans une prise appropriée, correctement installée et mise en conformité avec tous les codes locaux une des ordonnances.

⚠ **AVERTISSEMENT** - Une mauvaise connexion du conducteur de terre peut entraîner un risque de choc électrique. Consultez un électricien ou un réparateur qualifié si vous êtes dans le doute quant à savoir si l'appareil est correctement mise à la terre.

Instructions d'Installation

INSTRUCTIONS DE MASSE (suite)

Ne pas modifier la fiche fournie avec l'appareil - si elle n'entre pas dans la prise, faites installer une prise adéquate par un électricien qualifié.

B. Pour un appareil branché en permanence:

Cet appareil doit être relié à une masse métallique, système de câblage permanent ou un conducteur de terre doit être exécuté avec les conducteurs du circuit et connecté à la borne de mise à la terre ou de plomb sur l'appareil.

8. Assurez la connexion du cordon électrique au serre-câble.

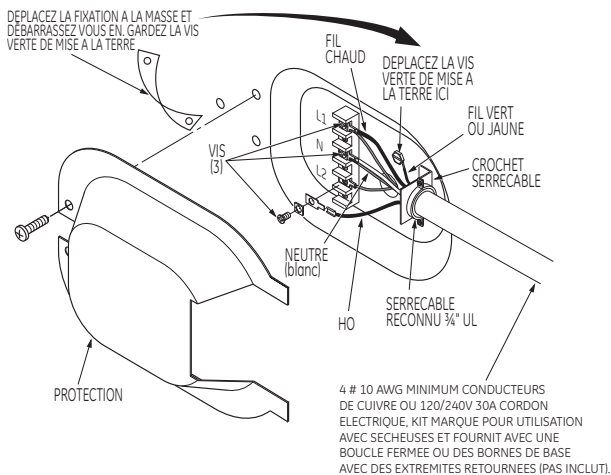
9. Réinstallez le couvercle.

! ATTENTION : NE JAMAIS LAISSER LE BOITIER DE TERMINAL SANS LE COUVERCLE.

BRANCHER L'APPAREIL EN UTILISANT UNE CONNEXION TETRAPHASEE (DOIT ETRE UTILISEE POUR L'INSTALLATION DANS LES MOBILES HOMES)

NOTES : Depuis le premier janvier 1996, la norme Nationale Electrique exige que les nouveaux appareils utilisent une connexion tetrphasée pour une sècheuse électrique.

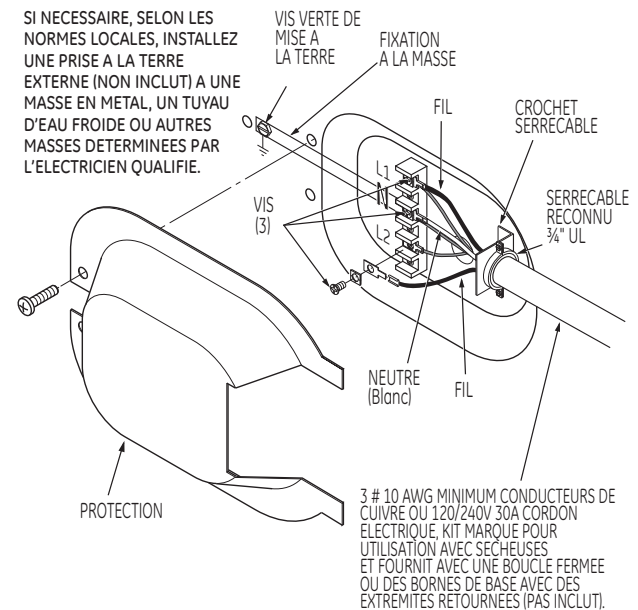
! ATTENTION : Seulement les cordons électriques tetrphasés doivent être utilisés lorsqu'un appareil est installé dans un lieu où la masse passant par un circuit neutre est prohibée. Les installations des embranchements de circuit électrique, les mobiles homes, les véhicules récréatifs, et les zones où les normes locales prohibent le branchement à la masse par un circuit neutre.



1. Eteignez le disjoncteur (30 amp) ou déplacez le fusible du circuit de la sècheuse au boîtier électrique.
2. Assurez-vous que le cordon électrique de l'appareil soit débranché du boîtier du mur.
3. Enlevez la protection du cordon électrique située au dos en bas.
4. Enlevez et débarrassez-vous des tresses de masse. Gardez la vis verte de mise à la terre pour l'étape 7.
5. Installez le serre-câble UL 3/4 in. A l'entrée du cordon électrique. Amenez le cordon électrique par le serre-câble.
6. Branchez le cordon électrique de la manière suivante :
 - A. Branchez 2 fils électriques au vis aux extrémités du boîtier de terminal (marquée L1 et L2).
 - B. Branchez la ligne neutre (blanche) au centre du bloc de terminal (marquée N).
7. Attachez le fil de la masse du cordon électrique à la vis verte de mise à la terre (trou au-dessus des pinces du serre-câble). Serrez toutes les vis des boîtiers de terminaux (3) complètement.

BRANCHER L'APPAREIL EN UTILISANT UNE CONNEXION TRIPHASEE

SI NECESSAIRE, SELON LES NORMES LOCALES, INSTALLEZ UNE PRISE A LA TERRE EXTERNE (NON INCLUT) A UNE MASSE EN METAL, UN TUYAU D'EAU FROIDE OU AUTRES MASSES DETERMINEES PAR L'ELECTRICIEN QUALIFIE.



1. Eteignez le disjoncteur (30 amp) ou déplacez le fusible du circuit de la sècheuse au boîtier électrique.
2. Assurez-vous que le cordon électrique de l'appareil soit débranché du boîtier du mur.
3. Enlevez la protection du cordon électrique située au dos en bas.
4. Installez le serre-câble UL 3/4 in. A l'entrée du cordon électrique. Amenez le cordon électrique par le serre-câble.
5. Branchez le cordon électrique de la manière suivante :
 - A. Branchez 2 fils électriques au vis aux extrémités du boîtier de terminal (marquée L1 et L2).
 - B. Branchez la ligne neutre (blanche) au centre du bloc de terminal (marquée N).
6. Assurez-vous que le fil de la masse est branché au terminal neutre du boîtier et à la vis verte de mise à la terre sur l'arrière du coffrage. Serrez toutes les vis des boîtiers de terminaux (3) complètement.
7. Assurez la connexion du cordon électrique au serre-câble.
8. Réinstallez le couvercle

! ATTENTION : NE JAMAIS LAISSER LE BOITIER DE TERMINAL SANS LE COUVERCLE.

Instructions d'Installation

3 INFORMATION D'ÉCHAPPEMENT

⚠ ATTENTION – AU CANADA ET AUX USA, LE DIAMÈTRE DU TUYAU D'ÉCHAPPEMENT REQUIEST 4" (102mm). N'UTILISEZ PAS DE TUYAU PLUS GRAND QUE LA TAILLE SPECIFIÉE DANS LE TABLEAU DE LONGUEUR D'ÉCHAPPEMENT.

En utilisant un tuyau d'échappement plus grand que la longueur spécifiée, cela :

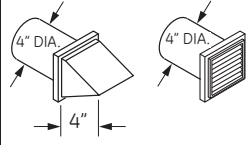
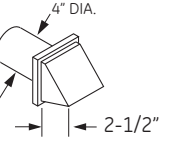
- Augmentera le temps de séchage et les dépenses en énergie.
- Réduira la durée de vie de la sècheuse.
- Accumulera les peluches, créant un risque potentiel d'incendie.

L'installation correcte d'échappement est VOTRE RESPONSABILITÉ. Les problèmes dus à une installation incorrecte ne sont pas couverts par la garantie.

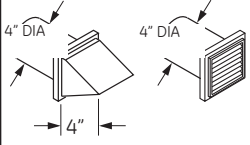
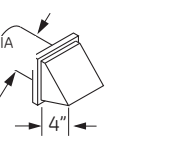
Enlevez et débarrassez-vous des plastiques existants ou du tuyau de transition en feuilles de métal et remplacez-le par un tuyau de transition UL.

La longueur de tuyau MAXIMUM AUTORISÉE et le nombre de coudes du système d'échappement dépend du type de tuyau, du nombre de courbes, du type du capuchon d'échappement (bouchon du mur) et des conditions présentées ci-dessous. La longueur maximum du tuyau pour les tuyaux rigide en métal est montrée dans le tableau cidessous.

27" LONGUEUR D'ÉCHAPPEMENT

LONGUEUR MAXIMUM RECOMMANDÉE		
Types de Capuchons d'échappement		
	RECOMMANDÉE	Utilise seulement pour les Installations de petites distances
		
N° de Coudes à 90°	Métal rigide	Métal rigide
0	56 Feet	42 Feet
1	46 Feet	36 Feet
2	34 Feet	28 Feet
3	32 Feet	18 Feet

24" LONGUEUR D'ÉCHAPPEMENT

LONGUEUR MAXIMUM RECOMMANDÉE		
Types de Capuchons d'échappement		
	RECOMMANDÉE:	Utilise seulement pour les Installations de petites distances
		
N° de coudes à 90°	Métal rigide	Métal rigide
0	43 Feet	36 Feet
1	33 Feet	26 Feet
2	24 Feet	16 Feet

LISTE DE CONTROLE DU SYSTEME D'ÉCHAPPEMENT

CAPUCHON OU GRILLE DU MUR

- Protégez la sortie de votre canalisation dans le but d'éviter les appels d'air ou l'entrée d'un oiseau et autres animaux sauvages.
- Cette protection devrait présenter une résistance minimum au flux d'air échappement et devrait exiger peu ou pas de maintenance pour éviter l'encrassement.
- Ne Jamais installez d'écran dans ou sur le tuyau d'échappement. Ceci pourrait conduire à la création de peluches.
- Les grilles du mur doivent être installées au moins à 12 in. Au-dessus du niveau du sol ou à cette distance au-dessus de n'importe quel autre objet pouvant faire obstruction à cette sortie.

SÉPARATION DE TOURS

Pour une meilleure performance, séparez tous les coudes d'au moins 4 ft. De tuyauterie droite, incluant la distance entre le dernier coude et le capuchon du système d'échappement.

COUDES AUTRES QUE 90°

- Un coude de 45° ou moins peut être ignoré.
- Deux coudes de 45° devraient être traités comme un coude de 90°.
- Chaque coude de plus de 45° devrait être traité comme un coude de 90°.

SCELLAGE DES JOINTS

- Tous les joints devraient être serrés pour éviter les fuites. L'extrémité male de chaque section de tuyau doit être dirigée vers l'extérieur de la sècheuse.
- N'assemblez pas la canalisation avec des agrafes qui entrent dans le tuyau. Elles servent à la création de peluches.
- Les joints de tuyaux peuvent être faits d'air et de moisissures en emballant le chevauchement de joints avec le rouleau adhésif de tuyau.
- Les trajets horizontaux devraient descendre vers l'extérieur de 1/2 pouce par pied.

ISOLEMENT

La canalisation qui court à travers une zone non chauffée ou qui est près de l'air conditionné devrait être isolée pour réduire la condensation et la création de peluches.

Instructions d'Installation

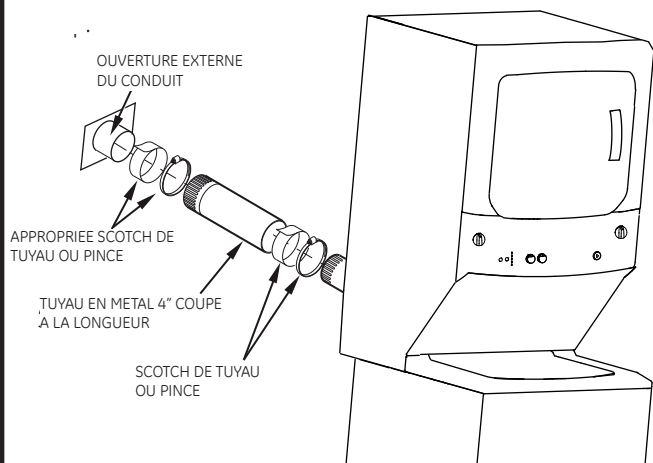
4 BRANCHEMENT DE L'ÉCHAPPEMENT

⚠ ATTENTION - POUR RÉDUIRE LES RISQUES D'INCENDIE OU DE BLESSURES PERSONNELLES :

- Cet appareil doit avoir un système d'échappement vers l'extérieur.
 - Utilisez seulement de la tuyauterie rigide en métal de 4" pour le tuyau d'échappement de la maison.
 - Utilisez seulement un tuyau rigide en métal ou un tuyau flexible UL (semi-rigide ou en aluminium) pour brancher la sècheuse au tuyau d'échappement de la maison. Il doit être installé conformément aux instructions trouvées en page 7 de ce manuel sous "Brancher La Sècheuse au Conduit d'Aération de la Maison".
 - Ne mettez pas fin à l'échappement par une cheminée, un mur, un toit, un conduit de gaz, un petit espace, un grenier, sous un plancher non fermé, ou dans n'importe quel autre espace dissimulé de votre bâtiment. L'accumulation de peluches peut créer un risque d'incendie.
 - Ne jamais mettre fin à l'échappement par un tuyau commun avec le système d'échappement de la cuisine. Une combinaison de graisses et de peluches crée un risque potentiel d'incendie.
 - N'utilisez pas de tuyau plus grand que ce qui est spécifié dans le tableau de grandeur d'échappement. Des tuyaux plus grands peuvent permettre l'accumulation de peluches et créer un risque d'incendie potentiel.
 - Ne jamais installer un écran dans ou sur le tuyau d'échappement. Ceci causera l'accumulation de peluches, créant un risque potentiel d'incendie. N'assemblez pas la canalisation avec des agrafes qui entrent dans le tuyau. Ces agrafes peuvent créer l'accumulation de peluches, créant un risque d'incendie.
- N'obstruez pas l'air entrant et sortant.
Mettez à disposition un accès pour inspecter et nettoyer le système d'échappement, spécialement aux coudes et aux joints. Le système d'échappement devrait être inspecté et nettoyé au moins une fois par an.

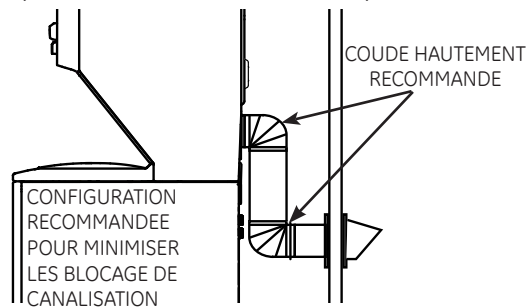
L'ÉCHAPPEMENT ARRIÈRE FAIT PARTIE DE CETTE SÈCHEUSE. SI VOTRE ESPACE EST LIMITÉ, UTILISEZ LES INSTRUCTIONS DE LA SECTION 9 POUR AVOIR UN SYSTÈME D'ÉCHAPPEMENT LATÉRAL OU PAR LE BAS DU COFFRAGE DE LA MACHINE.

Pour une installation en ligne droite, branchez le système d'échappement de la sècheuse au conduit externe d'échappement en utilisant du scotch ou une pince.



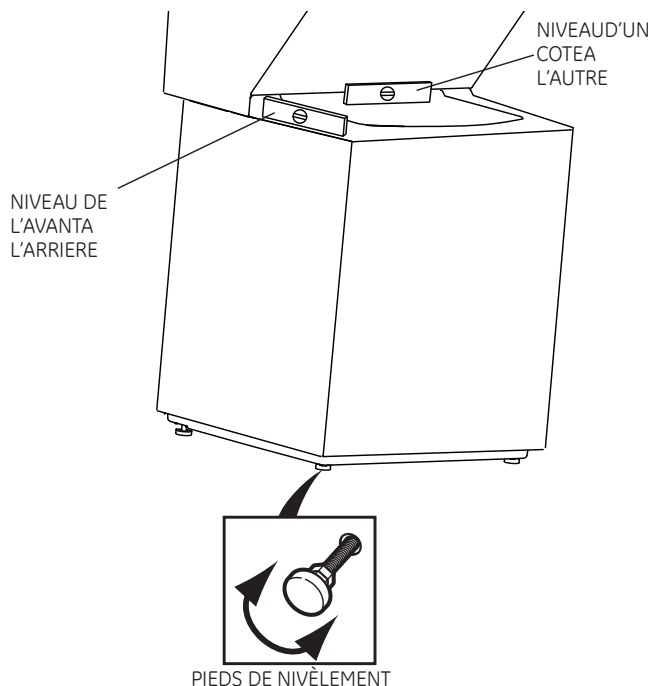
ECHAPPEMENT ARRIERE STANDARD

(Ventilé au-dessous du niveau du sol)



NOTE : LES COUDES EMPECHERONT LES NOEUDS ET LES EFFONDREMENTS DU CONDUIT.

5 METTRE A NIVEAU ET STABILISER VOTRE APPAREIL



Mettre à niveau et stabiliser votre appareil

1. Déplacez prudemment l'appareil vers sa position finale. Balancez avec douceur l'appareil en position. Il est important de ne pas endommager les pieds de nivellement en caoutchouc lorsque vous déplacez votre appareil vers sa position finale. Les pieds endommagés peuvent augmenter les vibrations de l'appareil. Il peut être utile de pulvériser un nettoyeur de vitre sur le sol pour aider à déplacer votre appareil vers sa position finale.

Note : N'utilisez pas la protection de la laveuse pour porter l'unité.

2. Pour assurer que l'appareil est à niveau et stable sur ses quatre pieds, inclinez l'appareil vers l'avant pour que les pieds arrière soient hors du sol. Redescendez en douceur l'appareil pour permettre aux pieds arrière de s'ajuster seuls.
3. Ayant l'appareil à sa position finale, placez un niveau au-dessus au fond du couvercle de la laveuse et vérifiez de chaque côté, puis vérifiez l'avant et l'arrière. Vissez les pieds de nivellement avant pour assurer que l'appareil reste stable sur ses quatre pieds (ne balancez pas l'appareil pour vérifier sa stabilité), relevez les écrous de verrou sur chaque pied vers la base de l'unité et assurez avec un tourne-à-gauche.

Note : Gardez l'extension de pied au minimum pour éviter les vibrations excessives. Plus les pieds sont agrandis, plus l'unité a de chance de vibrer.

Instructions d'Installation

BRANCHER LA SECHEUSE A L'AERATION DE LA MAISON

TUYAU RIGIDE DE TRANSITION EN METAL

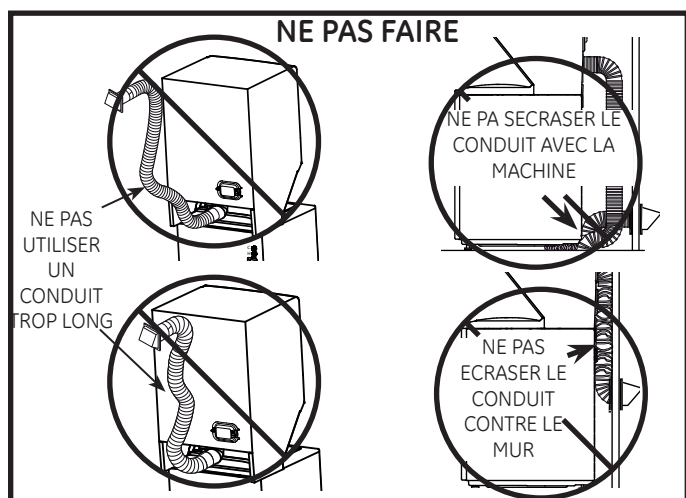
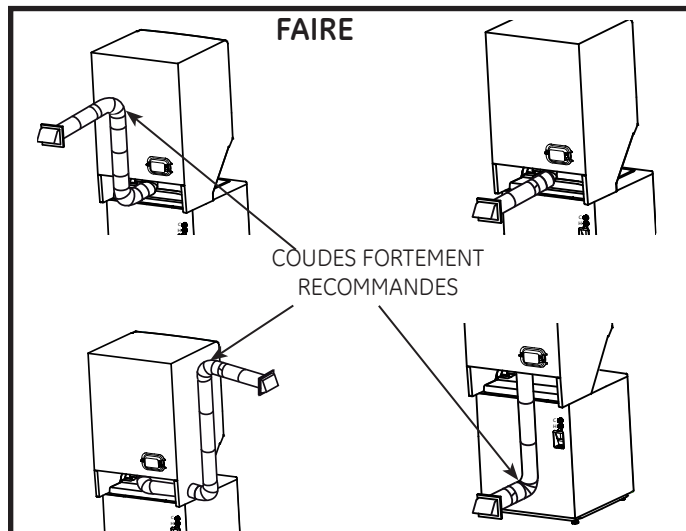
- Pour les meilleures performances de séchage possibles, le tuyau de transition rigide en métal est recommandé.
- Les tuyaux de transition rigides en métal réduisent le risque d'écrasement et de noeuds.

TUYAU DE TRANSITION UL FLEXIBLE EN METAL (SEMI-RIGIDE)

- Si le tuyau rigide en métal ne peut pas être utilisé, alors le tuyau UL flexible en métal (semi-rigide) peut être utilisé (Kit WX08X10077).
- Ne jamais installer de tuyau flexible en métal au mur, au plafond, aux sols ou autres espaces fermés.
- La longueur du tuyau flexible en métal ne devrait pas excéder 8 pieds (2,4m).
- Pour plusieurs applications, installer des coudes à la fois à la sécheuse et au mur est fortement recommandé (voir illustration ci-dessous). Les coudes permettent à l'appareil d'être placé près du mur sans faire de noeuds et/ou écraser le tuyau de transition, maximisant les performances de séchage.
- Evitez de passer le tuyau dur des objets coupants.

LE TUYAU DE TRANSITION UL FLEXIBLE EN METAL (ALUMINIUM)

- Pour des installations spéciales, il peut être nécessaire de brancher la sécheuse à l'aération de la maison utilisant un tuyau flexible en métal (aluminium). Un tuyau UL flexible en métal (semi-rigide) ne peut pas être utilisé ET ceci où un diamètre de 4" peut être maintenu tout au long du tuyau.
- Au Canada et aux USA, seulement les tuyaux flexibles en métal (aluminium) qui se plient à « Description Générale du Tuyau de Transition de la Laveuse de Vêtements du Sujet 2158A » devrait être utilisé.
- Ne jamais installer de tuyau flexible en métal sur les murs, les plafonds, les sols ou autres espaces fermés.
- La longueur du tuyau flexible en métal ne devrait pas excéder 8 pieds (2,4m).
- Evitez de passer le tuyau dur des objets coupants.
- Pour les meilleures performances possibles :
 1. Faites glisser une extrémité du tuyau sur le conduit extérieur de la sécheuse de vêtements.
 2. Fixez le tuyau avec une pince.
 3. Ayant la sécheuse dans sa position permanente, prolongez le tuyau vers sa longueur maximum. Laissez 2" de tuyau se chevaucher avec le conduit d'échappement. Coupez et enlevez l'excès de tuyau. Gardez le tuyau aussi droit que possible pour maximiser le flux d'air.
 4. Fixez le tuyau au conduit d'échappement avec l'autre pince.



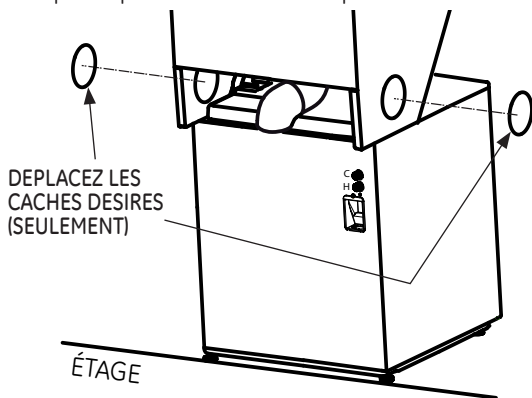
Instructions d'Installation

6 UNIQUEMENT POUR MODELES DE 24 PO

ECHAPPEMENT DE LA SECHEUSE PAR LA DROITE, PAR LA GAUCHE OU PAR LE HAUT DE COFFRAGE

⚠ ATTENTION- AVANT DE REALISER L'INSTALLATION DE L'ECHAPPEMENT, ASSUREZ-VOUS DE DEBRANCHER LA SECHEUSE DE L'ALIMENTATION ELECTRIQUE. PROTEGEZ VOS MAINS ET VOS BRAS DES PARTIES COUPANTES LORSQUE VOUS TRAVAILLEZ DANS LE COFFRAGE. ASSUREZ-VOUS DE PORTER DES GANTS.

Pour une aération vers le bas, faites pivoter les sections du coude pour que ce même coude penche vers le bas.

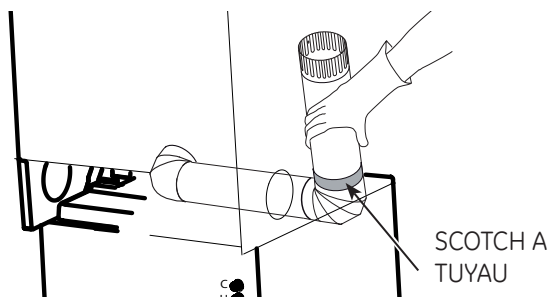
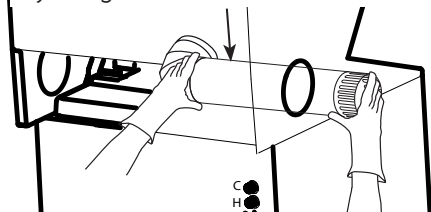


AJOUTER LE COUDE ET LE TUYAU POUR L'ECHAPPEMENT PAR LA GAUCHE OU PAR LA DROITE DU COFFRAGE

- Pour la canalisation de côté, enlevez le cache (SEULEMENT 1). Faites pivoter les sections du coude afin qu'il soit dans la direction désirée. Préparez l'assemblage du coude de 4" avec le tuyau de 4". Utilisez seulement le tuyau UL rigide en métal approuvé pour la canalisation de la sécheuse.
- Insérez l'assemblage du tuyau par l'ouverture et branchez le coude interne.

⚠ PRUDENCE : Assurez-vous de ne pas tirer ou endommager les fils électriques à l'intérieur de la sécheuse lorsque vous insérez le tuyau.

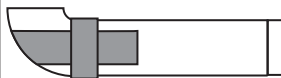
Tuyau rigide UL en métal autorisé de 4"



- Appliquez le rouleau adhésif comme il est montré sur le joint entre le tuyau interne de la sécheuse et le conduit

⚠ PRUDENCE:

Les joints du tuyau interne doivent être bien attachés avec du scotch, sinon ils pourraient se séparer ou causer un risque pour la sécurité des personnes et de la machine.

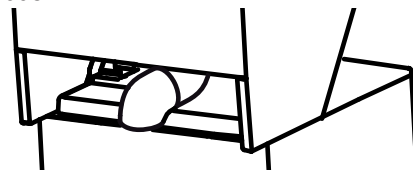


UNIQUEMENT POUR MODELES DE 27 PO

ECHAPPEMENT DE LA SECHEUSE PAR LA DROITE, PAR LA GAUCHE OU PAR LE HAUT DE COFFRAGE

⚠ ATTENTION- AVANT DE REALISER L'INSTALLATION DE L'ECHAPPEMENT, ASSUREZ-VOUS DE DEBRANCHER LA SECHEUSE DE L'ALIMENTATION ELECTRIQUE. PROTEGEZ VOS MAINS ET VOS BRAS DES PARTIES COUPANTES LORSQUE VOUS TRAVAILLEZ DANS LE COFFRAGE. ASSUREZ-VOUS DE PORTER DES GANTS.

Pour une aération vers le bas, faites pivoter les sections du coude pour que ce même coude penche vers le bas.

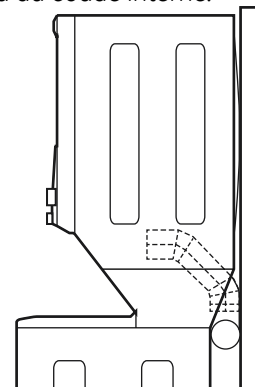


AJOUTER LE COUDE ET LE TUYAU POUR L'ECHAPPEMENT PAR LA GAUCHE OU PAR LA DROITE DU COFFRAGE

- Faites pivoter les sections du coude afin qu'il penche vers le côté que vous désirez aérer. Faites pivoter les sections du coude afin qu'il soit dans la direction désirée. Préparez l'assemblage du coude de 4" avec le tuyau de 4". Utilisez seulement le tuyau UL rigide en métal approuvé pour la canalisation de la sécheuse.
- Connectez l'assemblage de tuyau au coude interne.

⚠ PRUDENCE : Assurez-vous de ne pas tirer ou endommager les fils électriques à l'intérieur de la sécheuse lorsque vous insérez le tuyau.

- Appliquez le rouleau adhésif comme il est montré sur le joint entre le tuyau interne de la sécheuse et le conduit.



⚠ PRUDENCE:

Les joints du tuyau interne doivent être bien attachés avec du scotch, sinon ils pourraient se séparer ou causer un risque pour la sécurité des personnes et de la machine.



Instructions d'Installation

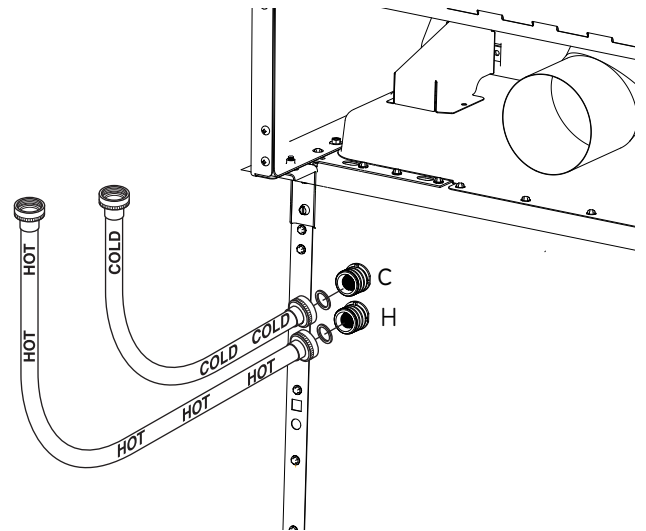
7 INFORMATION SUR LA PLOMBERIE CONDITIONS DE L'APPROVISIONEMENT EN EAU

- ROBINETS D'EAU CHAUDE ET FROIDE – Ils doivent être à moins de 42" des branchements de l'appareil pour l'arrivée d'eau. Les robinets doivent être 3/4" de la tuyauterie du jardin afin que les tuyaux internes puissent être branchés.
- PRESSION DE L'EAU – Elle doit être entre 10 et 120psi avec un maximum de pression déséquilibrée, un flux d'eau chaude et un flux d'eau froide, de 10 psi.
- TEMPERATURE DE L'EAU – Le chauffe-eau devrait être configuré pour distribuer une eau de 140° à 150°F(60° à 66°C) à la laveuse lorsque l'option de lavage CHAUD est sélectionnée.
- VALVES DE FERMETURE – Les valves de fermeture d'eau chaude et d'eau froide devraient être fournies.
- EMLACEMENT – N'installez pas l'appareil dans une zone où la température sera en-dessous de zéro. Si l'appareil est gardé ou transporté avec des températures en-dessous de zéro, assurez-vous que toute l'eau depuis le remplissage jusqu'au système de drainage a été enlevée.

CONDITIONS DE DRAINAGE

- RAPPORT DE DRAINAGE – Le drainage et le tuyau de rejet à l'égout doivent être capable d'accepter un écoulement d'un rapport de 16 gallons par minute.
- TAILLE DU DRAINAGE – La taille du drainage doit être de 33" minimum et de 96" maximum.
- DIAMETRE DU TUYAU DE REJET A L'EGOUT – Le diamètre du tuyau de rejet à l'égout doit être de 1-1/4" minimum. Il DOIT y avoir un espace d'air autour du conduit de drainage dans le tuyau de rejet à l'égout. Une coupure peut causer un effet de siphon.
- KIT BRISE-SIPHON – Pour une installation de drainage inférieure à 33" de hauteur, le tuyau, la connexion et les pinces fournies dans l'appareil doivent être utilisés et, de plus, un brise-siphon DOIT être installé au dos de la machine. Utilisez le Kit Brise-Siphon WH49X228 et suivez les instructions du kit.

8 BRANCHER LA PLOMBERIE



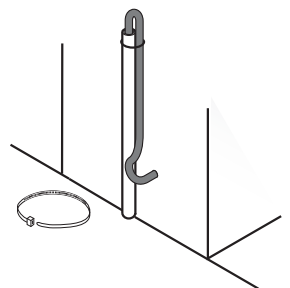
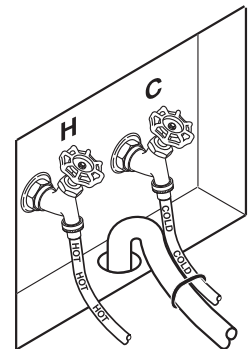
Installez si nécessaire les joints en caoutchouc à l'extrémité de l'arrivée d'eau chaude sur la machine. Introduisez le tuyau d'eau sur le branchement marqué de la lettre H dans le coin en haut de la machine. Serrez à la main, et ajoutez 1/8 de tour avec une pince.

Installez si nécessaire les joints en caoutchouc à l'extrémité de l'arrivée d'eau froide sur la machine. Introduisez le tuyau d'eau sur le branchement marqué de la lettre C dans le coin en haut de la machine. Serrez à la main, et ajoutez 1/8 de tour avec une pince.

Déplacez l'appareil au plus proche de sa position finale si possible, laissant de la place pour que vous puissiez faire les branchements d'eau, de drainage, électrique et de ventilation dans votre maison.

NOTE: Si un conduit de drainage plus grand est requis, commandez le kit d'extension de conduit de drainage, numéro de produit GE WH49X301.

Branchez un conduit additionnel de drainage (inclus dans le kit) au conduit original avec des pinces de conduit (inclus dans le kit). Insérez un tuyau de vidange à la canalisation de drainage de votre maison pour fermer le tuyau de drainage (ne pas assurer l'étanchéité des tuyaux pour éviter de créer un effet de siphon). Si les valves d'eau et le drainage construit dans le mur, attachez le tuyau de drainage à l'un des tuyaux d'eau avec le collier en plastique inclus (fixé face à face). Si votre drainage est un tuyau de rejet à l'égout, attachez le tuyau de drainage au tuyau de rejet à l'égout avec un collier en plastique inclus.

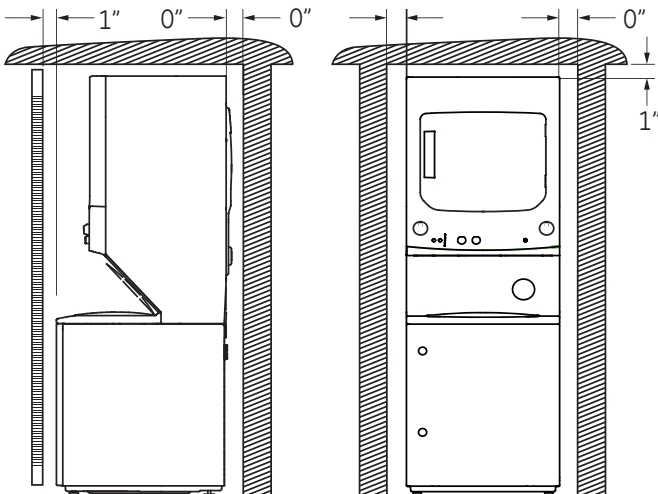


Instructions d'Installation

9 INSTALLATION POUR LES MOBILES HOMES

- L'installation DOIT être conforme aux STANDARDS DE CONSTRUCTION ET DE SECURITE DU MOBILE HOME, TITRE 24, PARTIE 32-80 ou, lorsque de tels standards ne sont pas applicables, il faut alors considérer LES STANDARDS NATIONAUX AMERICAINS POUR LES MOBILES HOMES, ANSI/NFPA NO. 501B.
- L'appareil DOIT être ventilé vers l'extérieur avec une sortie sécurisée fixée à la structure du mobile home.
- La ventilation NE DOIT PAS sortir par le dessous du mobile home.
- Le matériel du conduit d'aération DOIT ETRE DE METAL.
- N'utilisez pas de vis à tôle ou autres fixations qui s'étendent à l'intérieur de la ventilation.
- Voir section 12 au sujet de l'information concernant les branchements électriques

10 ALCOVE OR CLOSET INSTALLATION



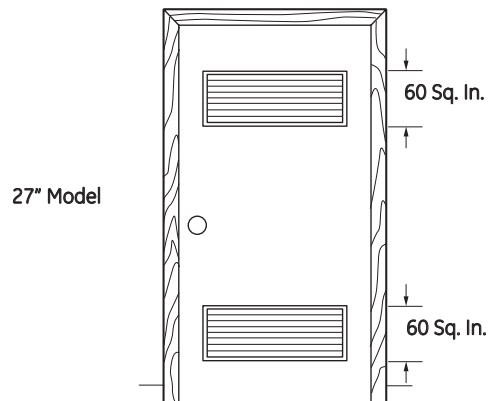
- Si votre appareil est autorisé pour une installation dans un emplacement ou un meuble, cela sera indiqué sur la plaque au dos de l'appareil.
- POUR EVITER UN GRAND NOMBRE DE PELUCHESET D'HUMIDITE CAUSES PAR L'ACCUMULATION ET POUR MAINTENIR L'EFFICACITE DE SECHAGE, CETTE MACHINE DOIT AVOIR UN SYSTEME D'ECHAPPEMENT VERS L'EXTERIEUR.
- N'installez pas cet appareil s'il vous manque l'espace minimum tel qu'il est montré ci-dessus.

UNE ATTENTION PARTICULIERE DOIT ETRE PRISE POUR ASSURER DES ESPACES ADEQUATS POUR L'INSTALLATION ET LA REPARATION

! PRUDENCE : N'INSTALLEZ PAS CET APPAREIL DANS UN MEUBLE AYANT UNE PORTE.

VENTILATION DE L'OUVERTURE DEPORTE (MODELES 27")

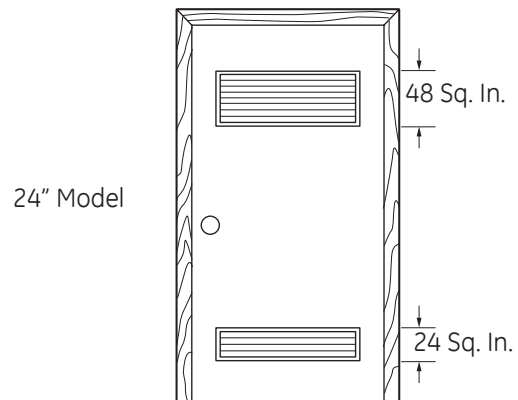
Un minimum de 120 Sq. In. d'ouverture, divisé à part égale en haut et en bas, est requis. Les ouvertures d'air sont tenues d'être dégagées lorsqu'une porte est installée. Une porte persienne avec d'ouvertures d'air équivalentes sur toute la longueur de la porte est acceptable.



Lorsque les persiennes ou les gonds sont placés sur les ouvertures de la porte, les ouvertures d'air des persiennes ou des gonds doit être égale à 120 Sq. In.

VENTILATION DE L'OUVERTURE DEPORTE (MODELES 24")

Un minimum de 72 Sq. In. d'ouverture est requis. Les ouvertures d'air sont tenues d'être dégagées lorsqu'une porte est installée. Une porte persienne avec des ouvertures d'air équivalentes sur toute la longueur de la porte est acceptable.



Lorsque les persiennes ou les gonds sont placés dans les ouvertures de la porte, les ouvertures d'air des persiennes ou des gonds doivent être égale à 72 Sq. In.

11 INSTALLATION POUR SALLE DE BAIN OU CHAMBRE

- L'appareil DOIT être ventilé vers l'extérieur. Voir *INFORMATION D'ECHAPPEMENT* des sections 3 & 4.
- L'installation doit être conforme aux normes locales ou, dans l'absence de ces normes locales, aux NORMES NATIONALES ELECTRIQUES, ANSI/NFPA NO. 70.

Instructions d'Installation

12 REPARATION

⚠ ATTENTION – MARQUEZ TOUS LES FILS AVANT LE DEBRANCHEMENT LORSQUE VOUS EFFECTUEZ UN CONTROLE POUR REPARATION. LES ERREURS DE BRANCHEMENT PEUVENT CAUSEES DES PROBLEMES DE FONCTIONEMENT APRES REPARATION ET D'INSTALLATION.

Pour les pièces de rechange et autres informations, veuillez reporter au Manuel de l'Utilisateur pour les numéros de téléphone du service après vente.

**POUR ENREGISTRER VOTRE SECHEUSE
APPELZ AU N° VERT
888.561.3344**

Un enregistrement rapide confirme votre droit à être protégé sous les termes de votre garantie.
www.electromenagersge.ca (Canada)

Questions sur l'installation, Appelez le 888.561.3344

Instrucciones de Instalación

Secadora Unificada a Lavadora/Eléctrico

¿Preguntas sobre la Instalación? Llame al: 1-800-GEARES (US)
O visite nuestro sitio web en: www.GEAppliances.com (US)

ANTES DE COMENZAR

Lea estas instrucciones en su totalidad y atentamente.

- **IMPORTANTE**- Conserve estas instrucciones para uso del inspector local.
- **IMPORTANTE**- Cumpla con todos los códigos y ordenanzas gubernamentales.
- **Nota para el Instalador** - Asegúrese de que el comprador conserve estas instrucciones.
- **Nota para el Consumidor** - Guarde estas instrucciones en su Libro de Uso y Cuidado para referencia futura.
- Antes de dejar este electrodoméstico fuera de servicio o de deshacerse del mismo, quite la puerta de la lavadora y la secadora.
- Inspeccione la salida del escape de la secadora y ajuste la conexión a las salidas de pared si se encuentran inclinadas.
- La información del servicio y el diagrama de cableado se encuentran ubicados en el panel de acceso.
- No permita que haya niños sobre ni dentro del electrodoméstico. Cuando el electrodoméstico se use cerca de niños, será necesario supervisarlos de cerca.
- Instale la secadora donde la temperatura supere los 50°F (10°C), para un funcionamiento satisfactorio del sistema de control de la secadora.

⚠ ADVERTENCIA RIESGO DE INCENDIO

- A fin de reducir el riesgo de lesiones graves o la muerte, siga todas las instrucciones de instalación.
- La instalación de electrodomésticos debe ser realizada por un instalador calificado.
- Instale el electrodoméstico de acuerdo con estas instrucciones y de acuerdo con los códigos locales.
- Este electrodoméstico deberá contar con un escape hacia el exterior.
- Use sólo un conducto de metal rígido de 4" para que el electrodoméstico cuente con una salida al exterior.
- NO instale una secadora de ropa con materiales de conducto plástico flexible. Si se instala un conducto de metal flexible (semi-rígido o tipo hoja de aluminio), deberá figurar en la lista de UL y ser instalado de acuerdo con las instrucciones que figuran en "Conexión de la Secadora a la Ventilación de la Casa" en la página 8 de este manual. Se sabe que los materiales flexibles para ventilación colapsan, se rompen con facilidad, y atrapan las pelusas. Estas condiciones obstruirán el flujo de aire de la secadora e incrementarán el riesgo de incendio.
- No instale ni guarde este electrodoméstico en ninguna ubicación donde pudiera encontrarse expuesto al agua y/o los factores climáticos.
- Guarde estas instrucciones. (Instaladores: Asegúrense de que estas instrucciones lleguen a manos del comprador).

NOTA: Para realizar la instalación y el servicio técnico de este electrodoméstico se requiere contar con una capacitación mecánica y eléctrica básica. Es su responsabilidad comunicarse con un instalador calificado para realizar las conexiones eléctricas.

TOOLS YOU WILL NEED



Pinza con junta deslizante



Destornillador Phillips



Destornillador de cabeza plana

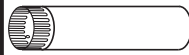


Llave para Turcas de 1/4



Nivel

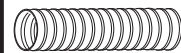
MATERIALES NECESARIOS



CONDUCTO DE METAL DE 4" DE DIÁMETRO (RECOMENDADO)



CODO METÁLICO DE 4" DE DIÁMETRO



CONDUCTO DE TRANSICIÓN DE METAL FLEXIBLE (SEMI-RÍGIDO) DE 4" DE LA LISTA DE UL (SI ES NECESARIO) KIT WX08X10077 (INCLUYE 2 CODOS)

ABRAZADERAS PARA CONDUCTO DE 4" (x2) O ABRAZADERAS PARA RESORTE DE 4" (x2)



PARA CINTA DE CONDUCTO



CAMPANA DE ESCAPE



PANEL PROTECTOR DE 4" (SI ES NECESARIO) (KIT WE1M454)



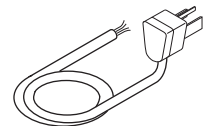
GUANTES



AMORTIGUADOR CON REFUERZO DE 3/4" LISTADO POR UL



GAFAS DE SEGURIDAD



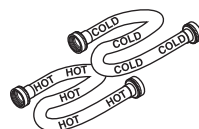
KIT DEL CABLE DE CORRIENTE DEL ELECTRODOMÉSTICO (NO PROVISTO)

120/240V, 30A DE 3 O 4 PATAS LISTADO POR UL. IDENTIFIQUE EL TIPO DE CABLE DE ACUERDO CON EL RECEPTÁCULO DE LA CASA ANTES DE ADQUIRIR EL CABLE DE INSTALACIÓN ELÉCTRICA.

PIEZAS PROVISTAS



1 Enlace de Cables



2 Mangueras de Desagüe para Lavadora



2 Arandelas de Caucho



2 Pantallas de Filtro/ Arandelas de Caucho

(las arandelas podrán estar en mangueras de agua)

Instrucciones de Instalación

REQUISITOS DE INSTALACIÓN UBICACIÓN

Este electrodoméstico se debe instalar en un piso firme a fin de minimizar la vibración durante el ciclo de centrifugado. Se recomiendan los pisos de concreto, pero una base de madera es suficiente, siempre que dicho piso cumpla con los estándares de FHA. Este electrodoméstico no se deberá instalar sobre tapetes ni estar expuesto a la interperie.

PLOMERÍA

PRESIÓN DEL AGUA – Debe ser de un mínimo de 20 psi y un máximo de 120 psi **PRESIÓN DEL AGUA** – El calentador de agua del hogar deberá estar configurado para que el agua esté entre 120° y 150°F (50° y 66°C) EN LA LAVADORA cuando se seleccione lavado caliente. **VÁLVULAS DE CIERRE** – Tanto la válvula de cierre de agua caliente como la de agua fría (grifos) deberán ser suministradas. **DRENAJE** – El agua podrá ser drenada al tubo de subida o el tubo configurado. La altura de descarga NO DEBERÁ

SER INFERIOR A 30 PULGADAS, o no más de 6 pies sobre la base de la lavadora. El tubo de subida debe ser de un mínimo de 1-1/2 pulgadas dentro del diámetro y deberá estar abierto a la atmósfera.

REQUISITOS ELÉCTRICOS

PRECAUCIÓN: Antes de enchufar en el agua, lea y siga los requisitos eléctricos.

PRECAUCIÓN: Para su seguridad personal, no use extensiones ni enchufes adaptadores con este electrodoméstico. Nunca, bajo ninguna circunstancia, corte ni elimine el tercer cable (tierra) del cable de corriente. Cumpla con los códigos y ordenanzas nacionales de electricidad. Este electrodoméstico deberá ser provisto con el voltaje y la frecuencia indicados en la placa de especificaciones (ubicada en la parte superior del panel frontal de la lavadora), y estar conectado a un circuito individual que esté adecuadamente conectado a tierra, protegido por un disyuntor o fusible de retardo de 30 amp. Si el suministro eléctrico provisto no cumple con los requisitos anteriores, llame a un electricista calificado.

Paso 1 Prepare el Área y el Escape para la Instalación del Electrodoméstico (consulte la sección 1)

Paso 2 Controle y Asegúrese de que el Escape Externo Existente esté Limpio (consulte la sección 1) y que Cumpla con las Especificaciones de Instalación Adjuntas (consulte la sección 3).

Paso 3 Retire las Almohadillas de Gomaespuma de Transporte (consulte la sección 1)

Paso 4 Mueva la Secadora a la Ubicación Deseada.

Paso 5 Conecte el Cable de Corriente (consulte la sección 2).

Paso 6 Conecte el Escape Externo (consulte la sección 4).

Paso 7 Nivele el Electrodoméstico (consulte la sección 5).

Paso 8 Conecte a las instalaciones de plomería (consulte la sección 8).

Paso 9 Controle el Funcionamiento del Cable de Corriente y la Ventilación.

Paso 10 Coloque el Manual del Propietario y las Instrucciones de Instalación en una Ubicación Donde el Propietario las Pueda Encontrar.

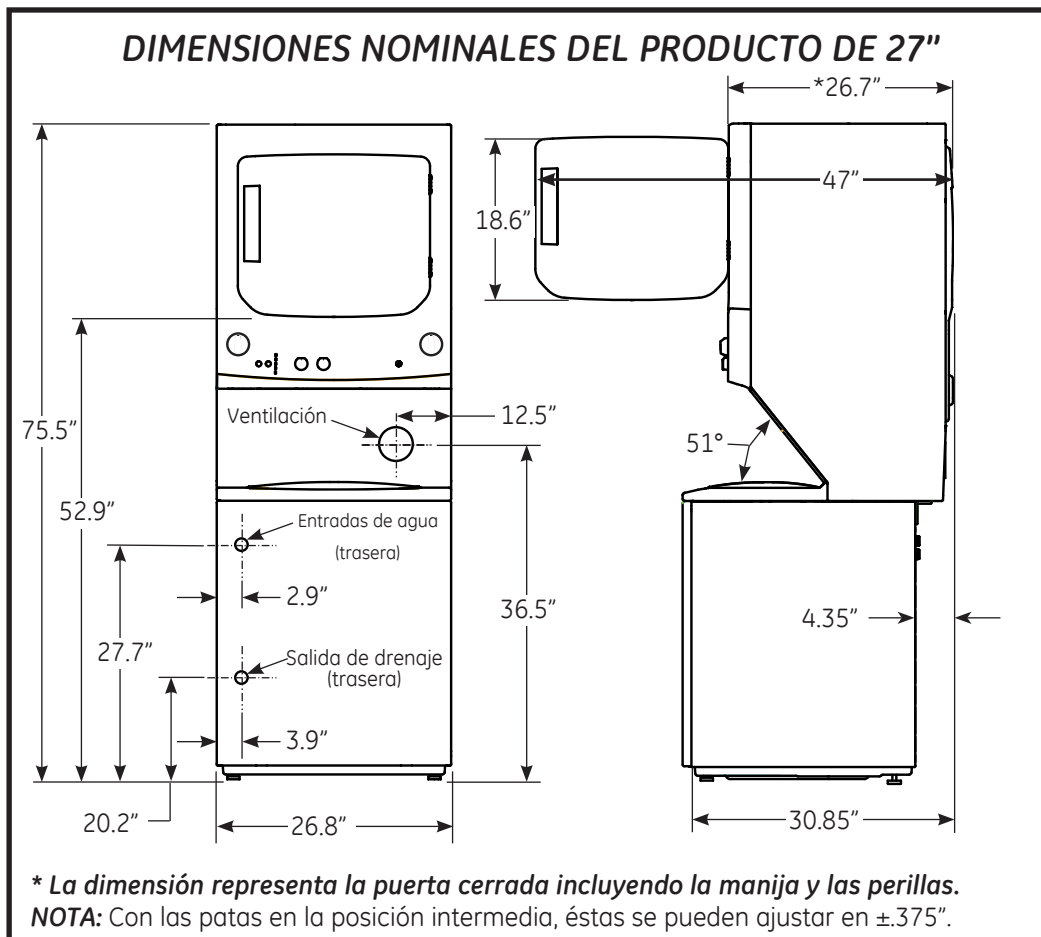
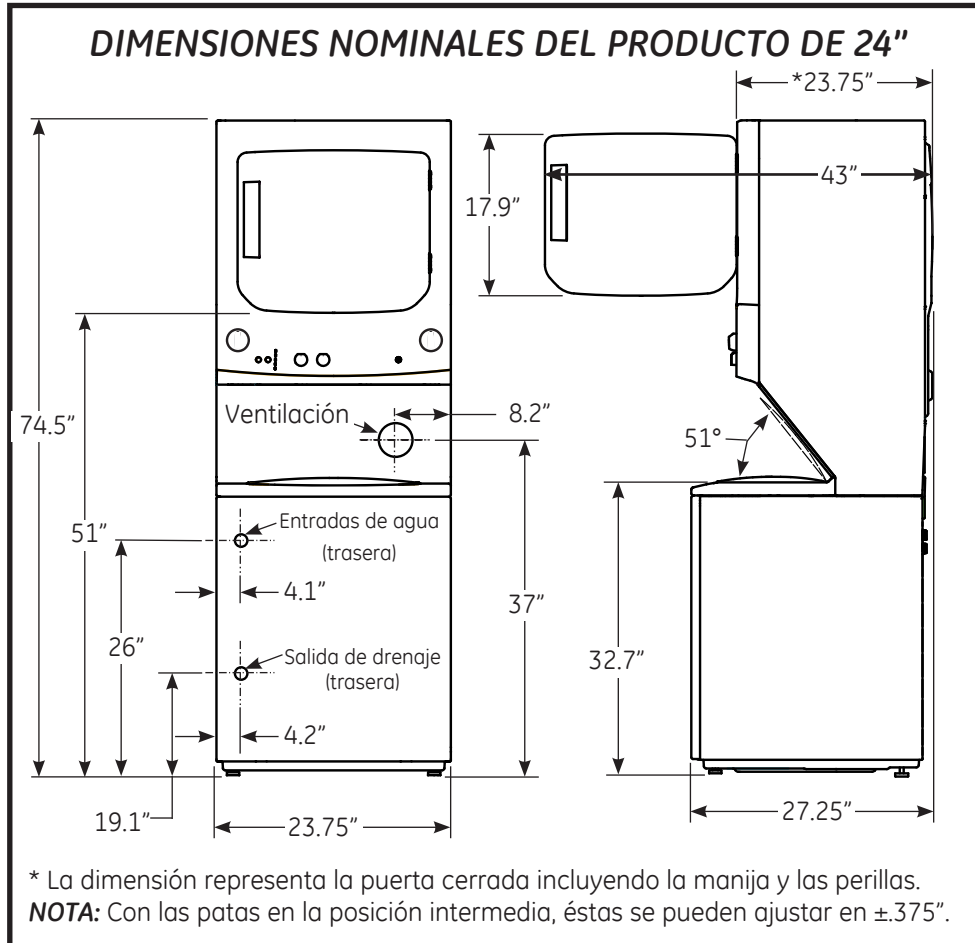
Para instalaciones en alcobas o clósets consulte la sección 10.

Para instalaciones en baños o habitaciones consulte la sección 11.

Para Casas Prefabricadas o Casas Móviles consulte la sección 9.

Para una salida lateral o inferior, consulte la sección 6.

Instrucciones de Instalación



Instrucciones de Instalación

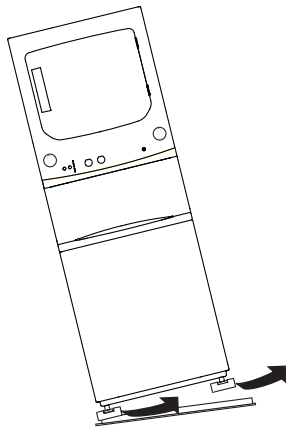
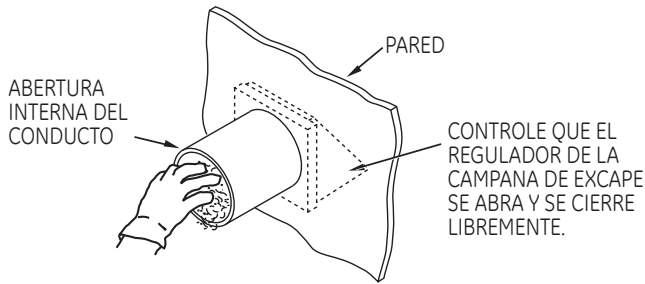
Claros Mínimos para Instalación que no Sea Alcoba o Clóset

Los claros mínimos para superficies combustibles y al aire libre son: 0 pulgadas de despeje a ambos lados y 1 pulgada en la parte trasera. Se deberá considerar que se debe de contar con los claros adecuados para la instalación y el servicio técnico.

1 PREPARACIÓN PARA LA INSTALACIÓN DE UN ELECTRODOMÉSTICO NUEVO

ELIMINACIÓN DE PELUSAS DE LA ABERTURA DE ESCAPE DE LA PARED

- Retire y elimine plásticos u hojas de aluminio existentes en el conducto de transición y reemplace por el conducto de transición nuevo que figura en la lista de UL



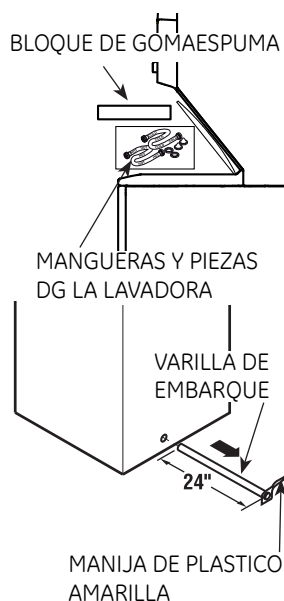
INCLINE EL ELECTRODOMÉSTICO HACIA AMBOS LADOS Y RETIRE LAS ALMOHADILLAS DE GOMAESPUMA DEL EMBALAJE, EMPUJANDO DE UN LADO A OTRO Y RETIRANDO LAS MISMAS DE LAS PATAS DEL ELECTRODOMÉSTICO. ASEGÚRESE DE QUITAR TODAS LAS PIEZAS DE GOMAESPUMA ALREDEDOR DE LAS PATAS.

Una vez que la máquina esté en el hogar, retire el material/ cartón de embalaje restante de la lavadora.

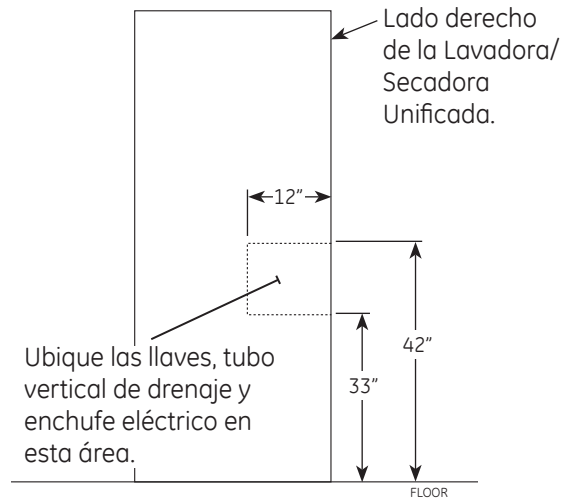
NO RETIRE AÚN LA VARILLA DE EMBARQUE.

Retire el bloque de gomaespuma. Retire del recipiente la bolsa que contiene las mangueras y piezas de la Lavadora. Coloque el bloque de gomaespuma nuevamente en la abertura del recipiente para sostener el mismo en su lugar durante el resto de la instalación.

Mueva la lavadora hasta su ubicación final. Asegúrese de que haya por lo menos 24" de espacio sobre el lado derecho de la lavadora para retirar la varilla de embarque. EMPUJE LA VARILLA DE EMBARQUE HACIA AFUERA USANDO LA MANIJA DE PLÁSTICO AMARILLA. Mantenga la varilla de modo que se pueda volver a instalar si la lavadora se volviera a mover nuevamente.



GRIFOS DE HOGAR NUEVOS O REMODELADOS/ TUBO VERTICAL DE DRENAJE/ UBICACIÓN ELÉCTRICA



2 INFORMACIÓN SOBRE LA CONEXIÓN ELÉCTRICA

⚠ ADVERTENCIA - PARA REDUCIR EL RIESGO DE INCENDIO, DESCARGA ELÉCTRICA Y LESIONES PERSONALES:

- NO USE EXTENSIONES NI ENCHUFES ADAPTADORES CON ESTE ELECTRODOMÉSTICO.

La secadora deberá estar correctamente conectada a tierra de acuerdo con los códigos y ordenanzas locales, o en ausencia de códigos locales, de acuerdo con el CÓDIGO NACIONAL DE ELECTRICIDAD (NATIONAL ELECTRICAL CODE), ANSI/NFPA NO. 70.

REQUISITOS ELÉCTRICOS

Este producto se deberá conectar a un circuito derivado individual, protegido por disyuntores o fusibles de retardo de tiempo adecuados. Se requiere un circuito de cuatro o tres cables de fase simple de 120/ 240V o 120/ 208V, 60 Hz, 30 amperios. Si el suministro eléctrico provisto no cumple con los requisitos anteriores, llame a un electricista calificado.

INSTRUCCIONES DE CONEXIÓN A TIERRA

A. Conexión a tierra, aparato conexión por cable:

Este aparato debe estar conectado a tierra. En un posible mal funcionamiento o avería, la conexión a tierra puede reducir el riesgo de descarga eléctrica al proporcionar una vía de menor resistencia de la corriente eléctrica. Este aparato está equipado con un cable que tiene un conductor de puesta a tierra y un enchufe de conexión a tierra. El enchufe debe conectarse a un tomacorriente adecuado que esté debidamente instalado y conectado a tierra de acuerdo con todos los códigos locales un ordenanzas.

⚠ PRECAUCION - una conexión inadecuada de la conexión a tierra puede resultar en un riesgo de descarga eléctrica. Consulte a un electricista calificado si tiene dudas sobre si el aparato está correctamente conectado a tierra.

Instrucciones de Instalación

INSTRUCCIONES DE CONEXIÓN A TIERRA (cont.)

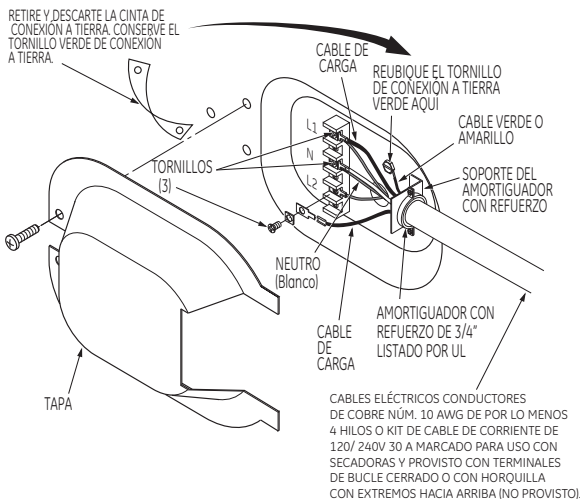
No modifique el conector provisto con el aparato – si el conector no encaja en el tomacorriente, solicite a un electricista calificado que instale un tomacorriente adecuado.

B. Para un aparato conectado permanentemente:
Este aparato debe estar conectado a un metal a tierra, sistema de cableado permanente, o un conductor a tierra de equipo se debe ejecutar con los conductores del circuito y conectado al terminal de tierra del equipo o al cable del artefacto.

CONEXIÓN DEL ELECTRODOMÉSTICO UTILIZANDO UNA CONEXIÓN DE 4 CABLES (SE DEBERÁ USAR PARA LA INSTALACIÓN EN VIVIENDAS MÓVILES).

NOTAS: Desde el 1 de enero de 1996, el Código Nacional de Electricidad requiere que las construcciones nuevas utilicen una conexión de 4 cables para una secadora eléctrica.

⚠ ADVERTENCIA: Sólo se usará un cable de 4 conductores cuando el electrodoméstico se instale en una ubicación donde se prohíba la conexión a tierra a través del conductor neutral. Se prohíbe la conexión a tierra a través del conector neutral en vehículos nuevos y en áreas donde los códigos locales prohíben la conexión a tierra a través de una conducción neutral.

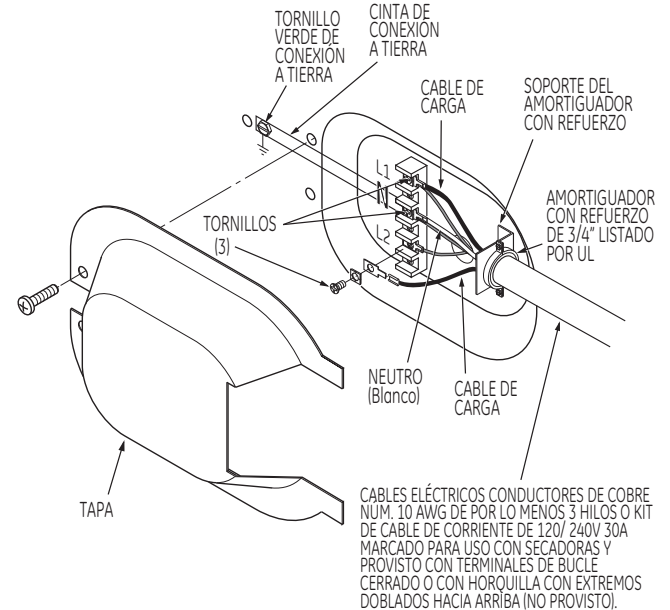


1. Apague el disyuntor(es) (30 amperios) o retire el fusible del circuito de la secadora de la caja de electricidad.
2. Asegúrese de que el cable del electrodoméstico esté desenchufado del receptáculo de la pared.
3. Retire la tapa del cable de corriente ubicada en la parte inferior trasera.
4. Retire y descarte la cinta de conexión a tierra. Conserve el tornillo verde de conexión a tierra para el paso 7.
5. Instale el amortiguador con refuerzo de 3/4 pulgadas listado por UL del agujero de entrada del cable de corriente. Pase el cable de corriente por el amortiguador con refuerzo.
6. Conecte del cable de corriente del siguiente modo:
 - A. Conecte los 2 polos de carga a los tornillos exteriores del bloque terminal (marcados L1 y L2).
 - B. Conecte el polo neutral (blanco) al centro del bloque terminal (marcado N).
7. Adjunte el cable a tierra del cable de corriente al tornillo verde de conexión a tierra (agujero sobre el soporte del amortiguador con refuerzo). Ajuste todos los tornillos (3) del bloque de terminales completamente.

8. Asegure el cable de corriente al amortiguador con refuerzo.
9. Vuelva a instalar la tapa.

⚠ ADVERTENCIA: NUNCA DEJE LA TAPA FUERA DEL BLOQUE DE TERMINALES.

CONEXIÓN DE LA SECADORA USANDO UNA CONEXIÓN DE 3 CABLES



1. Apague el disyuntor(es) (30 amperios) o retire el fusible del circuito de la secadora de la caja de electricidad.
2. Asegúrese de que el cable de la secadora esté desenchufado del receptáculo de la pared.
3. Retire la tapa del cable de corriente ubicada en la parte inferior trasera.
4. Instale el amortiguador con refuerzo de 3/4 pulgadas listado por UL del agujero de entrada del cable de corriente. Pase el cable de corriente por el amortiguador con refuerzo.
5. Conecte del cable de corriente del siguiente modo:
 - A. Conecte los 2 polos de carga a los tornillos exteriores del bloque terminal (marcados L1 y L2).
 - B. Conecte el polo neutral (blanco) al centro del bloque terminal (marcado N).
6. Asegúrese de que la cinta de conexión a tierra esté conectada a la terminal del centro neutral del bloque y al tornillo verde de conexión a tierra en la parte trasera del gabinete. Ajuste todos los tornillos (3) del bloque de terminales completamente.
7. Asegure el cable de corriente al amortiguador con refuerzo.
8. Vuelva a instalar la tapa.

⚠ ADVERTENCIA: NUNCA DEJE LA TAPA FUERA DEL BLOQUE DE TERMINALES.

Instrucciones de Instalación

3 INFORMACIÓN SOBRE EL ESCAPE

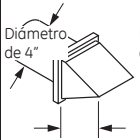
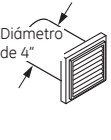
⚠ ADVERTENCIA - EN CANADÁ Y EN ESTADOS UNIDOS, EL DIÁMETRO DEL CONDUCTO DE ESCAPE REQUERIDO ES DE 4" (102 mm.). NO USE CONDUCTOS MÁS LARGOS QUE LOS ESPECIFICADOS EN LA TABLA DE LONGITUD DEL ESCAPE.

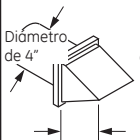
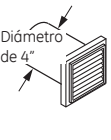
El uso de un escape más largo que el especificado:

- Incrementará los tiempos de secado y el costo de energía.
- Reducirá la vida útil de la secadora.
- Acumulará pelusa, creando un posible riesgo de incendio. **Es SU RESPONSABILIDAD que el escape esté instalado correctamente. Cualquier problema debido a una instalación incorrecta no estará cubierto por esta garantía.**

Retire y elimine plásticos u hojas de aluminio existentes en el conducto de transición y reemplace por el conducto de transición que figura en la lista de UL.

La longitud MÁXIMA PERMITIDA del conducto y la cantidad de torsiones del sistema de escape depende del tipo de conducto, número de giros, el tipo de campana de escape (caperuza de pared), y todas las condiciones indicadas previamente. La longitud máxima para conductos de metal rígido figura en la siguiente tabla.

LONGITUD DEL ESCAPE	27" LONGITUD MÁXIMA RECOMENDADA	
	Tipos de Campanas de Escape	
	Recomendado:	Use sólo para instalaciones cortas
		
Nº de Codos de 90°	Metal Rígido	Metal Rígido
0	56 Pies	42 Pies
1	46 Pies	36 Pies
2	34 Pies	28 Pies
3	32 Pies	18 Pies

LONGITUD DEL ESCAPE	24" LONGITUD MÁXIMA RECOMENDADA	
	Tipos de Campanas de Escape	
	Recomendado:	Use sólo para instalaciones cortas
		
Nº de Codos de 90°	Metal Rígido	Metal Rígido
0	43 Pies	36 Pies
1	33 Pies	26 Pies
2	24 Pies	16 Pies

INFORMACIÓN SOBRE EL ESCAPE

LISTA DE CONTROL DEL SISTEMA DE ESCAPE CAMPANA O CAPERUZA DE PARED

- Terminar de modo que se eviten ráfagas de aire traseras o la entrada de pájaros u otros animales.
- La terminación debería presentar una resistencia mínima sobre el flujo del aire del escape y debería requerir poco o ningún mantenimiento para evitar obstrucciones.
- Nunca instale una rejilla en o sobre el conducto de escape. Esto podría ocasionar la acumulación de pelusa.
- Las caperuzas de pared se deben instalar por lo menos a 12" sobre el nivel de suelo o en cualquier otra obstrucción con la aberturg en dirección hacia abajo.

SEPARACIÓN DE CURVAS

Para un mejor funcionamiento, separe todas las curvas a por lo menos 4 pies del conducto recto, incluyendo la distancia entre el último giro y la campana de escape.

CURVAS QUE NO ESTÁN A 90°

- Una curva de 45° o menos podrá ser ignorada.
- Dos curvas de 45° se deberán tratar como una curva de 90°.
- Cada curva superior a 45° se deberá tratar como una curva de 90°.

SELLADO DE JUNTAS

- Todas las juntas deberán estar ajustadas para evitar goteras. El extremo macho de cada sección del conducto deberá estar apartado de la secadora.
- No ensamble la tubería con tensores que se extiendan sobre el conducto. Estos servirán como puntos de recolección de pelusa.
- Se podrá evitar la entrada de aire y humedad en las juntas del conducto envolviendo las juntas de forma superpuesta con cinta para conducto.
- Las partes horizontales deberán tener una caída de 1/2" por pie hacia el exterior.

AISLANTE

Cuando el conducto atraviese un área sin calefacción o esté cerca de un acondicionador de aire, deberá ser aislado a fin de reducir la condensación y la acumulación de pelusa.

Instrucciones de Instalación

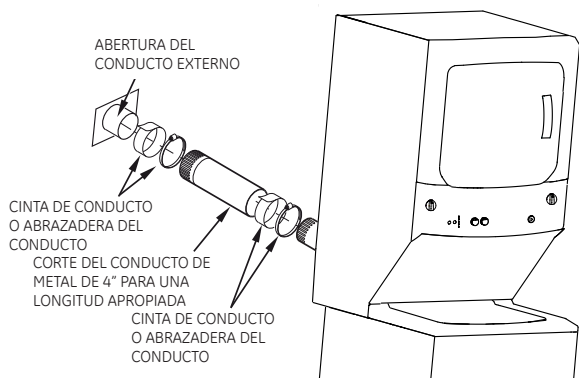
4 CONEXIÓN DEL ESCAPE

⚠ ADVERTENCIA - PARA REDUCIR EL RIESGO DE INCENDIO O LESIONES PERSONALES:

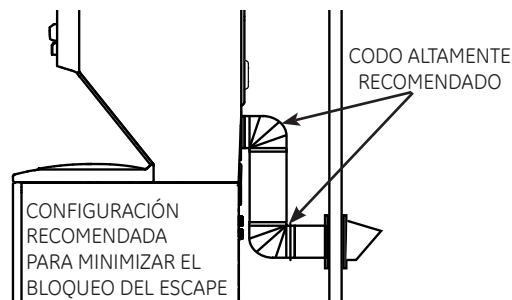
- Este electrodoméstico deberá contar con un escape hacia el exterior.
- Use sólo un conducto de metal rígido de 4" para el conducto de salida del hogar.
- Use sólo un conducto de metal rígido de 4" o de metal flexible de la lista de UL (semi-rígido o tipo hoja de aluminio) para conectar la secadora al conducto de escape del hogar. Se deberá instalar de acuerdo con las instrucciones que figuran en "Conexión de la Secadora a la Ventilación del Hogar" en la página 8 de este manual.
- No termine la salida del escape en una chimenea, pared, cielo raso, ventilación de gas, sótano, ático, debajo de un piso adjunto, o en cualquier espacio oculto de una construcción. La pelusa acumulada podría crear riesgos de incendio.
- Nunca termine el escape en un conducto común con un sistema de escape de una cocina. La combinación de grasa y pelusa crea un posible riesgo de incendio.
- Evite que el conducto sea más largo que como se especifica en la tabla de longitud del escape. Los conductos más largos acumulan pelusa, creando un posible riesgo de incendio.
- Nunca instale una rejilla en o sobre el conducto de escape. Esto causará la acumulación de pelusa, creando un posible riesgo de incendio.
- No ensamble la tubería con tensores que se extiendan sobre el conducto. Estos tensores acumulan pelusa, creando un posible riesgo de incendio.
- No obstruya el aire entrante o saliente.
- Provea un acceso para inspección y limpieza del sistema de escape, especialmente en curvas y juntas. El sistema de escape se deberá inspeccionar y limpiar por lo menos una vez al año.

ESTA SECADORA ESTÁ EQUIPADA CON ESCAPE TRASERO. SI EL ESPACIO ES LIMITADO, USE LAS INSTRUCCIONES DE LA SECCIÓN 9 PARA QUE EL ESCAPE FUNCIONE DIRECTAMENTE DESDE LOS COSTADOS O LA PARTE INFERIOR DEL GABINETE.

Para la instalación en línea recta, conecte el escape de la secadora a la campana de escape usando cinta para conducto o una abrazadera.

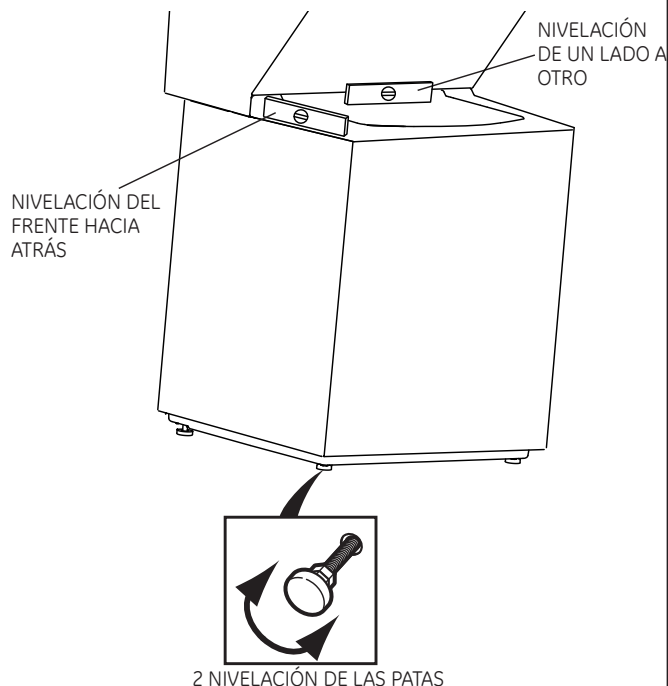


ESCAPE TRASERO ESTÁNDAR (Ventilación por encima del nivel del piso)



NOTA: EL CODO EVITARÁ LA TORCEDURA Y ROTURA DEL CONDUCTO

5 CÓMO NIVELAR Y ESTABILIZAR EL ELECTRODOMÉSTICO



Cómo nivelar y estabilizar el electrodoméstico

1. Con cuidado mueva el electrodoméstico hasta su ubicación final. Suavemente balancee el electrodoméstico en su posición. Es importante no dañar las patas niveladoras de goma al mover el electrodoméstico hasta su ubicación final. Si las patas se encuentran dañadas, esto podrá incrementar la vibración del electrodoméstico. Puede ser de ayuda aplicar espray de limpieza de ventanas en el piso, a fin de mover el electrodoméstico hasta su ubicación final.

Nota: No use la cubierta de la lavadora para levantar la unidad.

2. Para asegurar que el electrodoméstico esté nivelado y posicionado de forma sólida sobre sus cuatro patas, incline el electrodoméstico hacia adelante de modo que las patas traseras queden levantadas del piso. Suavemente vuelva a apoyar el electrodoméstico para permitir que las patas traseras encuentren su ajuste.
3. Con el electrodoméstico en su ubicación final, coloque un nivel sobre la parte trasera de la tapa de la lavadora y controle la misma de un costado a otro y luego de adelante hacia atrás. Atornille las patas niveladoras del frente de arriba hacia abajo, para asegurar que el electrodoméstico se apoye con solidez sobre sus cuatro patas (no debería haber balanceo del electrodoméstico), gire las tuercas de bloqueo en cada pata hacia la base de la unidad y ajuste con una llave.

Note: mantenga la extensión de la pata al mínimo para evitar vibraciones excesivas. Cuando más extendidas se encuentran las patas, más vibrará la unidad.

Instrucciones de Instalación

CONEXIÓN DE LA SECADORA A LA VENTILACIÓN DE LA CASA

CONDUCTO DE TRANSICIÓN DE METAL RÍGIDO

- Para un mejor funcionamiento del secado, se recomienda el uso de un conducto de transición de metal rígido.
- Los conductos de transición de metal rígido reducen el riesgo de que se puedan aplastar o doblar.

CONDUCTO DE TRANSICIÓN DE METAL FLEXIBLE (SEMI-RÍGIDO) DE LA LISTA DE UL

• Si no se pudiera usar un conducto de metal rígido, entonces se podrá usar un conducto de metal flexible (semi-rígido) de la lista de UL (Kit WX08X10077).

- Nunca instale un conducto de metal flexible en paredes, cielos rasos, pisos u otros espacios adjuntos.
- La longitud total del conducto de metal flexible no deberá superar los 8 pies (2.4m).
- Para muchas aplicaciones, se recomienda enfáticamente la instalación de codos tanto en la secadora como en la pared. Los codos permiten que la secadora pueda estar junto a la pared sin que se aplaste ni se doble el conducto de transición, maximizando el rendimiento del secado. Evite que la tubería se apoye sobre objetos cortantes. **CONDUCTO DE TRANSICIÓN DE METAL FLEXIBLE (TIPO HOJA DE ALUMINIO) DE LA LISTA DE UL**

• Para instalaciones especiales, puede resultar necesaria la conexión de la secadora a la ventilación de la casa usando un conducto de metal flexible (tipo hoja de aluminio). Un conducto de metal flexible (tipo hoja de aluminio) podrá ser usado SÓLO en instalaciones donde los conductos de metal rígido o metal flexible (semi-rígido) no puedan ser usados y donde se pueda mantener un diámetro de 4" a lo largo de todo el conducto de transición.

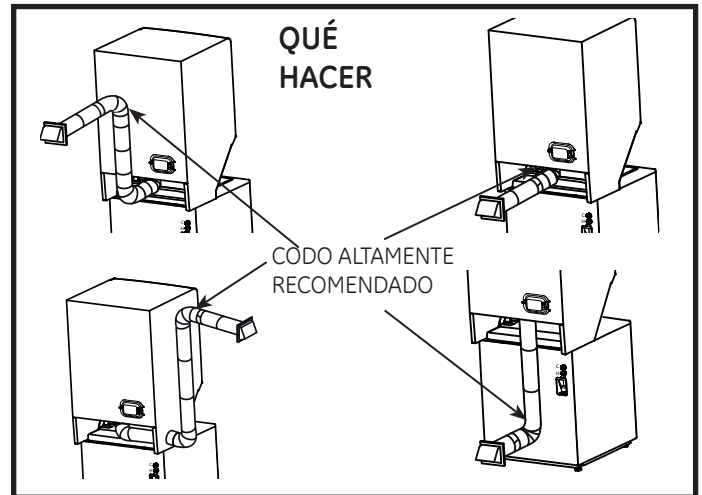
• En Canadá y en Estados Unidos, sólo se podrán usar los conductos de metal flexible (tipo hoja de aluminio) que cumplan con el "Resumen del Tema 2158A de Conductos de Transición para Secadoras de Ropa" (Outline for Clothes Dryer Transition Duct Subject 2158A).

• Nunca instale un conducto de metal flexible en paredes, cielos rasos, pisos u otros espacios adjuntos.

• La longitud total del conducto de metal flexible no deberá superar los 8 pies (2.4m). Evite que la tubería se apoye sobre objetos cortantes.

• Para un mejor funcionamiento:

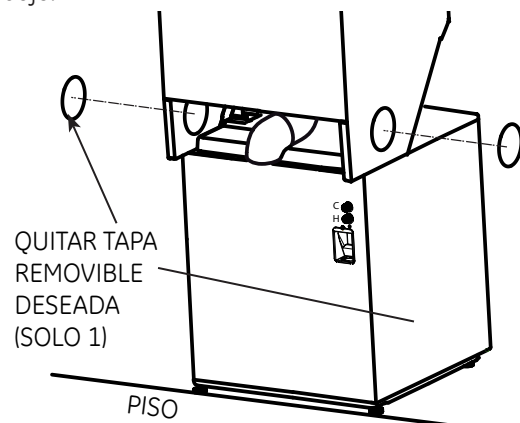
1. Deslice un extremo del conducto sobre la tubería de salida de la secadora de ropa.
2. Asegure el conducto con una abrazadera.
3. Con la secadora en su posición permanente, extienda el conducto hasta su máxima extensión. Permita que 2" del conducto se superpongan con la tubería de escape. Corte y retire el sobrante del conducto. Mantenga el conducto lo más recto posible para lograr el flujo de aire máximo.
4. Asegure el conducto a la tubería de escape con la otra abrazadera.



6 SÓLO PARA MODELOS DE 24" SALIDA DE LA SECADORA HACIA EL GABINETE DERECHO, IZQUIERDO O INFERIOR

⚠ ADVERTENCIA- ANTES DE REALIZAR LA INSTALACIÓN DE ESTE ESCAPE, ASEGÚRESE DE DESCONECTAR EL ELECTRODOMÉSTICO DE SU SUMINISTRO ELÉCTRICO. PROTEJA SUS MANOS Y BRAZOS DE EXTREMOS CORTANTES AL TRABAJAR DENTRO DEL GABINETE. ASEGÚRESE DE USAR GUANTES.

Para una ventilación descendente, rote las secciones del codo de modo que éste apunte hacia abajo.



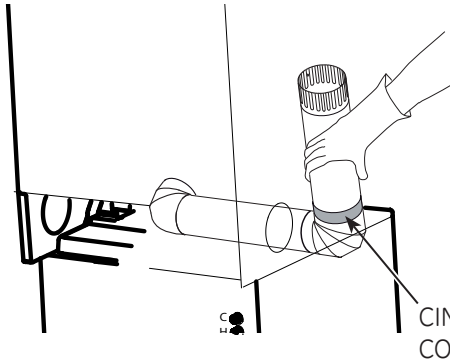
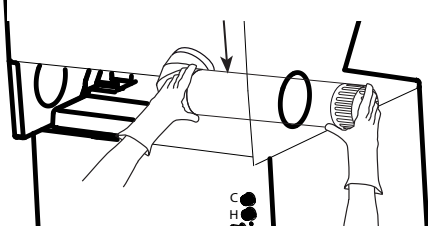
Instrucciones de Instalación

ESCAPE HACIA LA IZQUIERDA O DERECHA DEL GABINETE

- Para que el conducto salga hacia uno de los laterales, quite el separador (SÓLO 1). Gire las secciones del codo de modo que apunten hacia el costado. Realice un ensamble previo del codo de 4" con el conducto de 4". Use sólo metal rígido de 4" para conductos aprobados por UL dentro de la secadora.
- Inserte el ensamble del conducto a través de la abertura lateral y conecte el mismo al codo interior.

PRECAUCIÓN: Asegúrese de no forzar ni dañar los cables eléctricos dentro de la secadora al insertar el conducto.

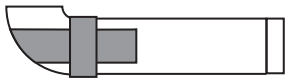
Metal rígido de 4" aprobado por UL



- Aplique cinta para conducto como se muestra en la junta entre el conducto interior de la secadora y la tubería recta del conducto.

PRECAUCIÓN:

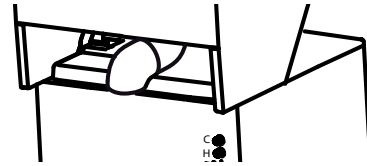
Las juntas del conducto interior deben estar aseguradas con cinta; de otro modo, se podrán separar y ocasionar riesgos de seguridad.



SÓLO PARA MODELOS DE 27" SALIDA DE LA SECADORA HACIA EL GABINETE DERECHO, IZQUIERDO O INFERIOR

⚠ ADVERTENCIA- ANTES DE REALIZAR LA INSTALACIÓN DE ESTE ESCAPE, ASEGÚRESE DE DESCONECTAR EL ELECTRODOMÉSTICO DE SU SUMINISTRO ELÉCTRICO. PROTEJA SUS MANOS Y BRAZOS DE EXTREMOS CORTANTES AL TRABAJAR DENTRO DEL GABINETE. ASEGÚRESE DE USAR GUANTES.

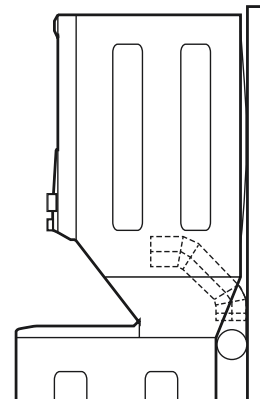
Para una ventilación descendente, rote las secciones del codo de modo que éste apunte hacia abajo.



ESCAPE HACIA LA IZQUIERDA O DERECHA DEL GABINETE

- Gire las secciones con codos para que apunte hacia el lado que desea ventilar. Gire las secciones del codo de modo que apunten hacia el costado. Realice un ensamble previo del codo de 4" con el conducto de 4". Use sólo metal rígido de 4" para conductos aprobados por UL dentro de la secadora.
- Conecte el montaje de conductos al codo interno.

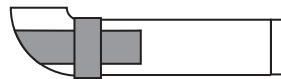
⚠ PRECAUCIÓN: Asegúrese de no forzar ni dañar los cables eléctricos dentro de la secadora al insertar el conducto.



- Aplique cinta para conducto como se muestra en la junta entre el conducto interior de la secadora y la tubería recta del conducto.

⚠ PRECAUCIÓN:

Las juntas del conducto interior deben estar aseguradas con cinta; de otro modo, se podrán separar y ocasionar riesgos de seguridad.



Instrucciones de Instalación

7 INFORMACIÓN DE PLOMERÍA REQUISITOS

DE SUMINISTRO DE AGUA

- GRIFOS DE AGUA CALIENTE Y DE AGUA FRÍA – Deben estar dentro de las 42” de las conexiones de la manguera de entrada de agua del electrodoméstico. Los grifos deben ser del tipo para manguera de jardín de 3/4”, de modo que las mangueras de entrada puedan ser conectadas.
- TEMPERATURA DE AGUA – Debe estar entre 10 y 120 libras por pulgada cuadrada con una presión desbalanceada máxima, flujo caliente versus frío, de 10 libras por pulgada cuadrada.

PRESIÓN DEL AGUA – El calentador de agua deberá estar configurado entre 140° y 150°F (60° y 66°C) en la lavadora cuando se seleccione lavado CALIENTE.

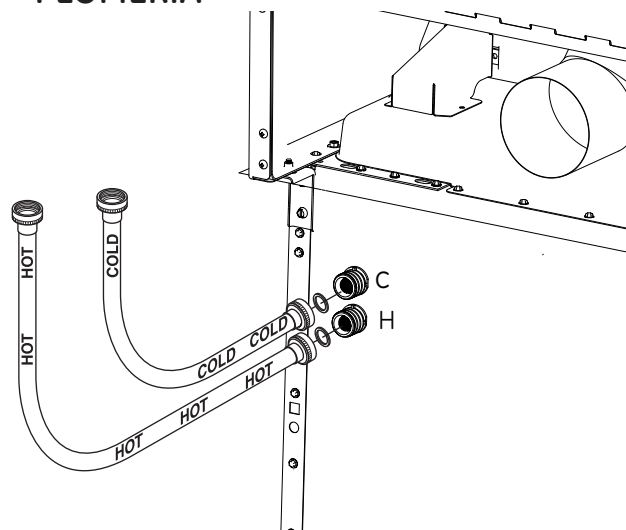
VÁLVULAS DE CIERRE – Tanto la válvula de cierre de agua caliente como la de agua fría (grifos) deberán ser suministradas.

- UBICACIÓN – No instale el electrodoméstico en un área donde la temperatura sea bajo cero. Si el electrodoméstico es ubicado o transportado en temperaturas bajo cero, asegúrese de que toda el agua del sistema de llenado y drenado haya sido removida.

REQUISITOS PARA EL DRENAJE

- REQUISITO DEL DRENAJE – El drenaje o el tubo de subida deben poder aceptar una descarga a un promedio de 16 galones por minuto.
- ALTURA DEL DRENAJE – La altura del drenaje debe ser de un mínimo de 33” y un máximo de 96”.
- DIÁMETRO DEL TUBO DE SUBIDA – El diámetro del tubo de subida debe ser de un mínimo de 1-1/2”. DEBE haber un espacio de aire en torno a la manguera de drenaje en el tubo de subida. Un ajuste sin holgura puede provocar una acción de sifonaje.
- KIT DE DESVIACIÓN DEL SIFÓN – Para una instalación de drenaje inferior a las 33” de altura, la manguera, junto con las abrazaderas provistas en la máquina, deberán ser usadas y, además, se DEBERÁ instalar una desviación del sifón en la parte trasera de la máquina. Use el Kit de Desviación del Sifón WH49X228 y siga las instrucciones del mismo.

8 CONEXIÓN A INSTALACIONES DE PLOMERÍA

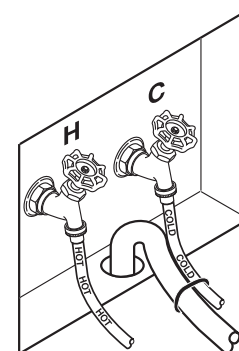


Si no se encuentra instalada, instale la arandela de goma en un extremo de la manguera de agua caliente. Coloque la manguera de agua caliente en la conexión con etiqueta H en la parte superior trasera de la lavadora. Ajuste manualmente, además de dar un giro adicional de 1/8 con una pinza.

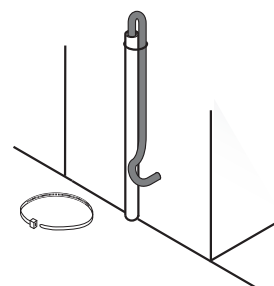
Si no se encuentra instalada, instale la arandela de goma en un extremo de la manguera de agua fría. Coloque la manguera de agua fría en la conexión con etiqueta C en la parte superior trasera de la lavadora. Ajuste manualmente, además de dar un giro adicional de 1/8 con una pinza.

Mueva el electrodoméstico tanto como sea posible hasta su ubicación final, dejando espacio para que pueda hacer las conexiones del agua, drenaje, electricidad y ventilación en su hogar.

NOTA: Si se requiere el uso de una manguera más larga, ordene un kit de extensión de manguera de drenaje; el número de pieza de GE es WH49X301. Conecte la manguera de drenaje adicional (incluida con el kit) a la manguera original con la abrazadera para manguera (incluida con el kit).



Inserte el extremo libre de la manguera de drenaje en la abertura del drenaje de su hogar hasta el tope de la manguera de drenaje (no retire el tope de la manguera, ya que éste evita el sifonaje). Si las válvulas de agua y el drenaje están adheridas a la pared, ajuste la manguera de drenaje a una de las mangueras de agua con el enlace para cable provisto (el lado elástico en el interior). Si el drenaje es un tubo de subida, ajuste la manguera de drenaje al tubo de subida con el enlace de cable provisto.

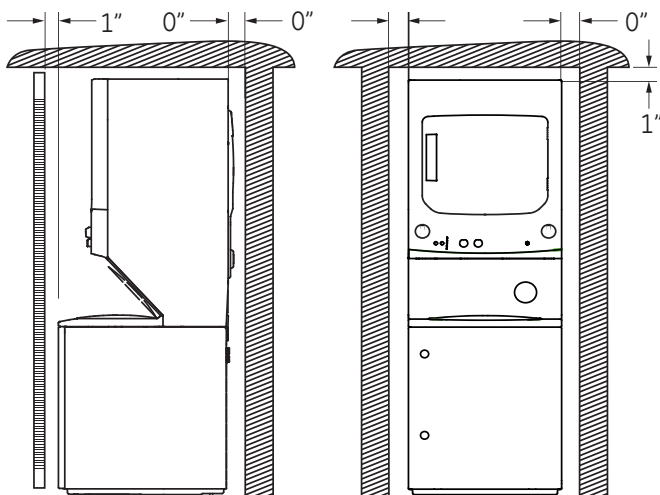


Instrucciones de Instalación

9 INSTALACIÓN EN CASA RODANTE O PREFABRICADA

- La instalación DEBE ser realizada conforme con el ESTÁNDAR DE CONSTRUCCIÓN Y SEGURIDAD DE CASAS PREFABRICADAS, TÍTULO 24, PARTE 32-80 (MANUFACTURED HOME CONSTRUCTION & SAFETY STANDARD, TITLE 24, PART 32-80) o, cuando dicho estándar no sea aplicable, con el ESTÁNDAR NACIONAL ESTADOUNIDENSE DE CASAS RODANTES (AMERICAN NATIONAL STANDARD FOR MOBILE HOME), ANSI/ NFPA NO. 501B.
- El electrodoméstico DEBE contar con ventilación hacia el exterior con la terminación ajustada de forma segura a la estructura de la casa rodante.
- La ventilación NO DEBE terminar en la parte inferior de una casa rodante o prefabricada.
- El material del conducto de ventilación DEBE SER DE METAL.
- No use tornillos de chapa u otros dispositivos de ajuste que se extiendan por el interior de la ventilación del escape.
- Para obtener información sobre la conexión eléctrica, consulte las secciones 2.

10 INSTALACIÓN EN ALCOBA O CLOSET



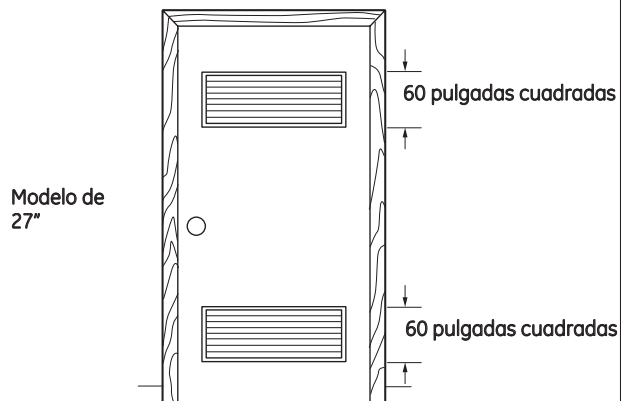
- Si se aprobó la instalación de su electrodoméstico en alcoba o clóset, esto figurará en una etiqueta en el reverso del electrodoméstico.
- La secadora DEBERÁ contar con ventilación hacia el exterior. Consulte la sección de INFORMACIÓN DEL ESCAPE.
- No instale este electrodoméstico con menos del nivel de despeje mínimo como se muestra más arriba.
- El clóset debe contar con ventilación hacia el exterior, a fin de evitar la acumulación de gas en caso de una pérdida del suministro de gas.
- No se deberá instalar ningún otro electrodoméstico que consuma combustible en el mismo clóset con el electrodoméstico.

SE DEBERÁ PROVEER EL NIVEL DE DESPEJE NECESARIO PARA LA INSTALACIÓN Y EL SERVICIO TÉCNICO.

PRECAUCIÓN: NO INSTALE ESTE ELECTRODOMÉSTICO EN UN CLOSET QUE POSEA UNA PUERTA SÓLIDA.

ABERTURA DE LA PUERTA DE VENTILACIÓN (MODELOS DE 27")

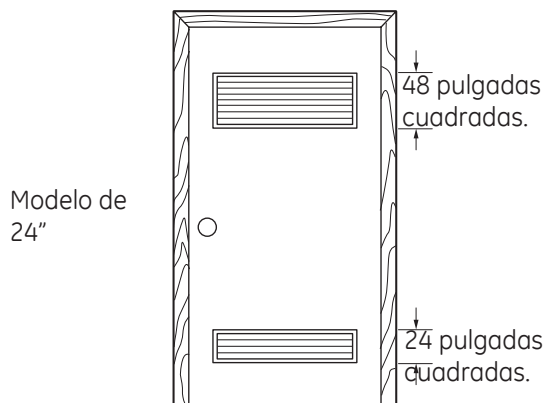
Se requiere un mínimo de 120 pulgadas cuadradas de abertura, equivalentemente divididos en la parte superior e inferior. Se requiere que las aberturas de aire no estén obstruidas cuando se instale una puerta. Se acepta el uso de una puerta de celosía con aberturas de aire sobre toda la longitud de la puerta.



Cuando se colocan celosías o registros en aberturas de puertas, sus aberturas de aire deben ser equivalentes a 120 pulgadas cuadradas.

ABERTURA DE LA PUERTA DE VENTILACIÓN (MODELOS DE 24")

Se requiere un mínimo de 72 pulgadas cuadradas de abertura. Se requiere que las aberturas de aire no estén obstruidas cuando se instale una puerta. Se acepta el uso de una puerta de celosía con aberturas de aire equivalentes a la longitud completa de la puerta.



Cuando se colocan celosías o registros en aberturas de puertas, sus aberturas de aire deben ser equivalentes a 72 pulgadas cuadradas.

11 INSTALACIÓN EN BAÑO O HABITACIÓN

- Este electrodoméstico DEBERÁ contar con ventilación hacia el exterior. Consulte **INFORMACIÓN DE ESCAPE** en las secciones 6 y 7.
- La instalación debe cumplir con los códigos locales o, en ausencia de códigos locales, con el CÓDIGO NACIONAL DE ELECTRICIDAD (NATIONAL ELECTRICAL CODE), ANSI/ NFPA NO. 70.

Instrucciones de Instalación

12 SERVICIO TÉCNICO

⚠ ADVERTENCIA- ETIQUETE TODOS LOS CABLES ANTES DE LA DESCONEXIÓN CUANDO SE REALICEN CONTROLES DEL SERVICIO TÉCNICO. CUALQUIER ERROR DE CABLEADO PUEDE OCASIONAR UN FUNCIONAMIENTO INADECUADO Y PELIGROSO LUEGO DE LA INSTALACIÓN/ SERVICIO TÉCNICO.

Para el reemplazo de piezas y otras informaciones, consulte los números telefónicos del servicio técnico en el Manual del Propietario.

**PARA REGISTRAR SU CENTRO DE LAVADO
LLAME AL NÚMERO GRATUITO
1-888-269-1192**

El registro temprano confirma su derecho de protección de acuerdo con los términos de su garantía.

www.GEAppliances.com (US)

Para Realizar Consultas sobre la Instalación, Llame al 1-800-GECARES (US)