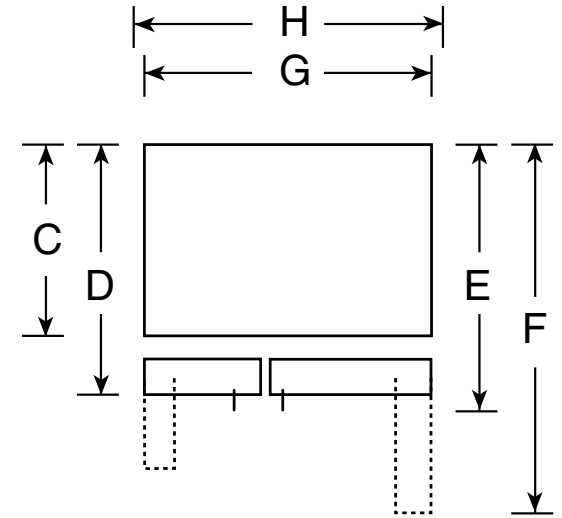
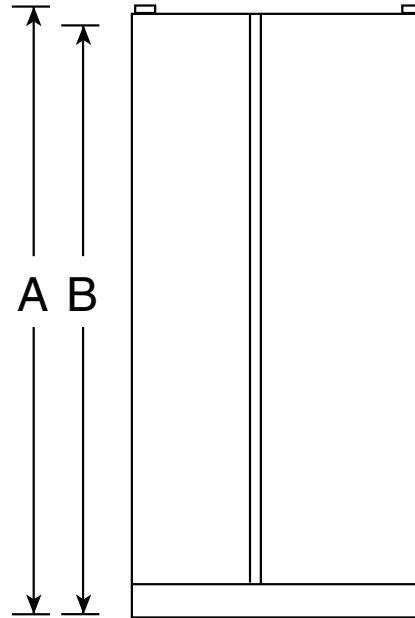


GSS20ETH/GSS20ESH

GE® 20.0 Cu. Ft. Side-By-Side Refrigerator with Dispenser

Dimensions and Installation Information (in inches)

Overall Dimensions	Height to top of hinge (in.) A	67-1/2
	Height to top of case (in.) B	66-1/2
	Case depth without door (in.) C	28
	Case depth less door handle (in.) D	31-1/4
	Case depth with door handle (in.) E	33-5/8
	Depth with fresh food door open 90° (in.) F	47-3/8
	Width (in.) G	31-1/2
Air	Width with door open 90° inc. door handle (in.) H	34
	Each side (in.)	1/8
	Top (in.)	1
	Back (in.)	2



†Water hook-up fits in back air clearance when calculating installation depth.

If installed against a wall, allow clearance of 14-3/16" on freezer side to remove bin.

Clearance required to remove fresh food full-size pan without disassembling is 18-15/16".

Allow additional space for any necessary leveling adjustments.

For answers to your Monogram,® GE Profile™ or GE® appliance questions, visit our website at ge.com or call GE Answer Center® service, 800.626.2000.



imagination at work



Listed by
Underwriters
Laboratories



Specification Created 1/14

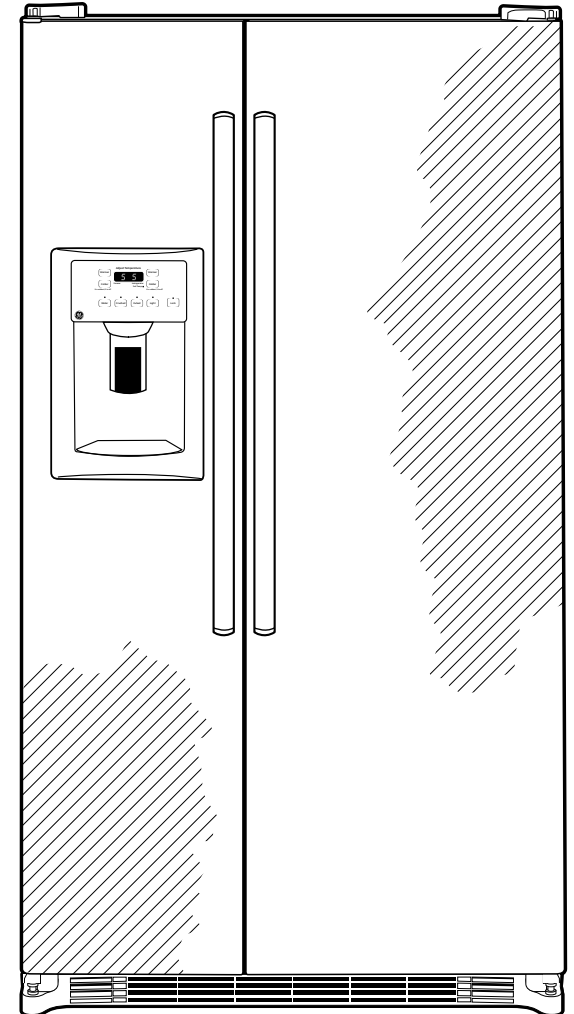
310210

GSS20ETH/GSS20ESH

GE® 20.0 Cu. Ft. Side-By-Side Refrigerator with Dispenser

Features and Benefits

- 31-1/2" wide
- Gallon door bins - Deep bins handle large containers in the door for more fresh food space
- Two fresh food drawers, one sealed - Provide the ideal environment for storing your fruits and vegetables
- Adjustable glass shelves - A variety of shelf configurations provide additional options for food storage
- Model GSS20ETHWW - White
- Model GSS20ETHCC - Bisque
- Model GSS20ETHBB - Black
- Model GSS20ESHSS - Stainless steel



imagination at work