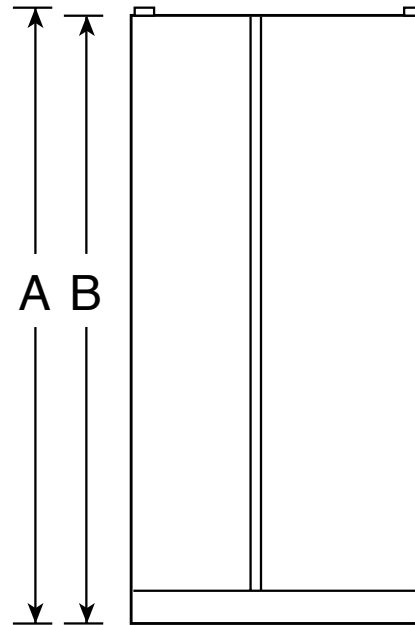


# GSHF9NGY

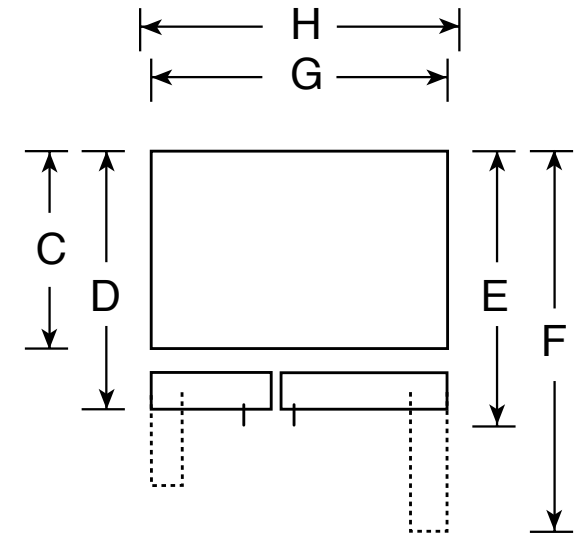
## GE® ENERGY STAR® 29.1 Cu. Ft. Side-By-Side Refrigerator with Integrated Dispenser

### Dimensions and Installation Information (in inches)

Overall Dimensions	Height to top of hinge (in.) <b>A</b>	69-5/8
	Height to top of case (in.) <b>B</b>	68-3/4
	Case depth without door (in.) <b>C†</b>	28
	Case depth less door handle (in.) <b>D†</b>	33-5/8
	Case depth with door handle (in.) <b>E†</b>	36-1/8
	Depth with fresh food door open 90° (in.) <b>F†</b>	50-1/16
	Width (in.) <b>G</b>	36
	Width with door open 90° inc. door handle (in.) <b>H</b>	45-1/2
Air Clearances	Each side (in.)	1/8
	Top (in.)	1
	Back (in.)	1



Front View



Top View

†Water hook-up fits in back air clearance when calculating installation depth.

If installed against a wall, allow clearance of 14-3/16" on freezer side to remove bin.

Clearance required to remove fresh food full-size pan without disassembling is 18-15/16".

Allow additional space for any necessary leveling adjustments.

For answers to your Monogram,® GE Profile™ or GE® appliance questions, visit our website at [ge.com](http://ge.com) or call GE Answer Center® service, 800.626.2000.



imagination at work



Listed by  
Underwriters  
Laboratories



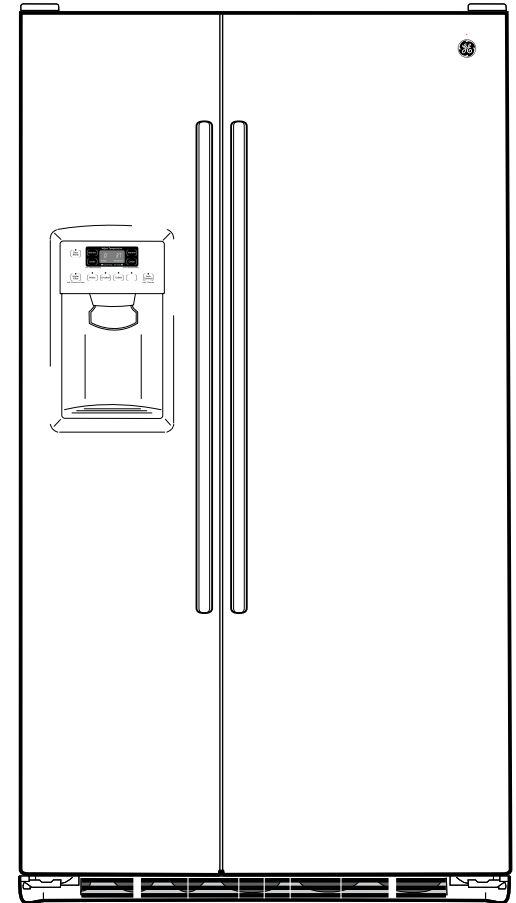
As an ENERGY STAR® partner, GE has determined that this product meets the ENERGY STAR guidelines for energy efficiency.

# GSHF9NGY

## GE® ENERGY STAR® 29.1 Cu. Ft. Side-By-Side Refrigerator with Integrated Dispenser

### Features and Benefits

- High-gloss finish - Step up to a smooth look that stands out in any kitchen
- Integrated dispenser with LED lighting and UltraFlow64 - This bright dispenser pours up to 64 ounces of water per minute
- Quick Ice™ setting - Speed up your icemaker to keep up with your life
- TurboCool™ setting - Restores proper temperature to the refrigerator after frequent door openings
- Integrated Ice™ system - Designed to give you more room to store your favorite frozen foods
- Integrated shelf support system - Strong shelf supports add a contemporary look
- Adjustable ClearLook™ door bins - Store gallon containers with ease in the door and free up valuable shelf space
- In-the-door beverage rack - Beverages are easy to grab when you're on the go
- Adjustable, slide-out spillproof glass shelves - Adjustable shelves are designed to make clean up quick and easy
- GE water filtration - one year filter - An indicator light lets you enjoy filtered water with added confidence
- FrostGuard™ technology - Controlled defrosting keeps frozen foods from feeling the burn
- Premium quiet design - Enjoy the sound of GE's most advanced sound control system
- Model GSHF9NGYWW - White on white
- Model GSHF9NGYBB - Black on black
- Model GSHS9NGYSS - Stainless steel



imagination at work



As an ENERGY STAR® partner, GE has determined that this product meets the ENERGY STAR guidelines for energy efficiency.