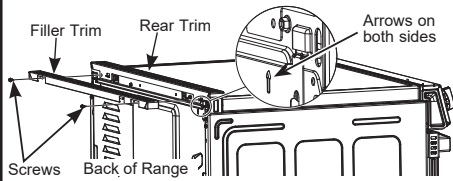




## 2 ATTACH REQUIRED FILLER TRIM

For ALL front control installations, the included filler trim must be installed. Remove the two screws on rear trim indicated with nearby arrows. Reuse these two screws to attach the filler trim to the back of the range.



## 3 ELECTRICAL CONNECTIONS

**WARNING** This appliance must be properly grounded. Failure to do so can result in electric shock.

**WARNING** All new constructions, mobile homes, recreational vehicles and installations where local codes do not allow grounding through neutral, require a 4-conductor UL-listed range cord.

**WARNING** To prevent fire or shock, do not use an extension cord with this appliance.

**WARNING** To prevent shock, remove house fuse or open circuit breaker before beginning installation.

We recommend you have the electrical wiring and hookup of your range connected by a qualified electrician. After installation, have the electrician show you how to disconnect power from the range.

You must use a single-phase, 120/208 VAC or 120/240 VAC, 60 hertz electrical system. If you connect to aluminum wiring, properly installed connectors approved for use with aluminum wiring must be used.

Effective January 1, 1996, the National Electrical Code requires that new construction (not existing) utilize a 4-conductor connection to an electric range. When installing an electric range in new construction, mobile home, recreational vehicle, or an area where local codes prohibit grounding through the neutral conductor, refer to the section on four-conductor branch circuit connections.

Check with your local utilities for electrical codes which apply in your area. Failure to wire your oven according to governing codes

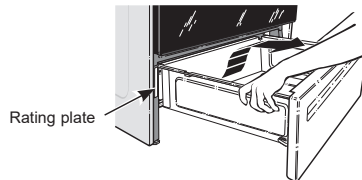
## 3 ELECTRICAL CONNECTIONS (cont.)

could result in a hazardous condition. If there are no local codes, your oven must be wired and fused to meet the National Electrical Code, NFPA No. 70 – latest edition, available from the National Fire Protection Association.

This appliance must be supplied with the proper voltage and frequency, and connected to an individual, properly grounded, 40 amp (minimum) branch circuit protected by a circuit breaker or time-delay fuse.

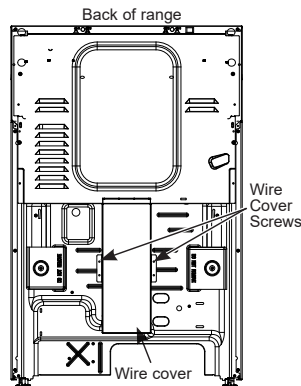
Use only a 3-conductor or a 4-conductor UL-listed range cord. These cords may be provided with ring terminals on wire and a strain relief device. A range cord rated at 40 amps with 125/250 minimum volt range is required. A 50 amp range cord is not recommended but if used, it should be marked for use with nominal 1 3/8" diameter connection openings. Care should be taken to center the cable and strain relief within the knockout hole to keep the edge from damaging the cable.

The rating plate is located on the frame surrounding the drawer.



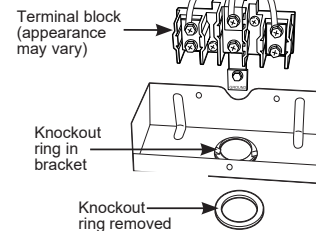
## 4 POWER CORD AND CONDUIT INSTALLATION

A. Remove wire cover (on the back of range) by removing screws using a 1/4" nut driver. You can access the terminal block by removing the wire cover. Do not discard these screws.

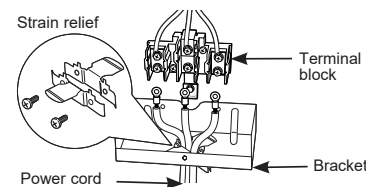


## 4 POWER CORD AND CONDUIT INSTALLATION (cont.)

B. For power cord and 1" conduit only, remove the knockout ring (1 3/8") located on bracket directly below the terminal block. To remove the knockout, use a pair of pliers to bend the knockout ring away from the bracket and twist until ring is removed.

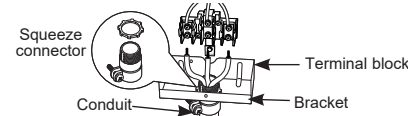


C. For power cord installations only (see the next step if using conduit), assemble the strain relief in the hole. Insert the power cord through the strain relief and tighten. Allow enough slack to easily attach the cord terminals to the terminal block. If tabs are present at the end of the winged strain relief, they can be removed for better fit.



**NOTE:** Do not install the power cord without a strain relief. The strain relief bracket **MUST** be installed before reinstalling the rear range wiring cover.

D. For 3/4" conduit installations only, purchase a squeeze connector matching the diameter of your conduit and assemble it in the hole. Insert the conduit through the squeeze connector and tighten. Allow enough slack to easily attach the wires to the terminal block. **NOTE:** Do not install the conduit without a squeeze connector. The squeeze connector **MUST** be installed before reinstalling the rear range wire or terminal block cover.



PROCEED TO STEP 4 OR 5.

## 5 3-WIRE INSTALLATION

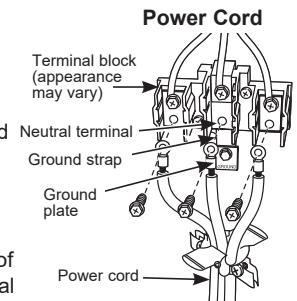
**WARNING** The neutral or ground wire of the power cord must be connected to the neutral terminal located in the center of the terminal block and the ground strap must connect the neutral terminal to the ground plate. The power leads must be connected to the lower left and the lower right terminals of the terminal block.

**DO NOT** remove the ground strap connection.

### FOR POWER CORD INSTALLATION

A. Remove the 3 lower terminal screws from the terminal block.

B. Insert the 3 terminal screws through each power cord terminal ring and into the lower terminals of the terminal block. Be



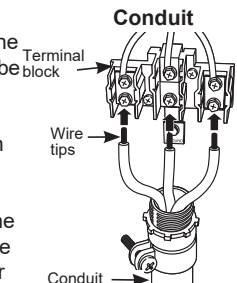
certain that the center wire (white/neutral) is connected to the center lower position of the terminal block.

C. Tighten screws securely into the terminal block.

### FOR CONDUIT INSTALLATION

A. Loosen the 3 lower terminal screws on the terminal block. Strip wire to expose tip about 5/8" long.

B. Insert the center (white/neutral) wire tip through the bottom center terminal block opening. On certain models, the wire will need to be inserted through the ground strap opening and then into the bottom center block opening. Insert the two side bare wire tips into the lower left and the lower right terminal block openings.



C. Tighten the screws until the wire is firmly secured (35 to 50 inch-lbs.). Do not over-tighten the screws.

## 5 3-WIRE INSTALLATION (cont.)

**NOTE: ALUMINUM WIRING:** Aluminum building wire may be used but it must be rated for the correct amperage and voltage.

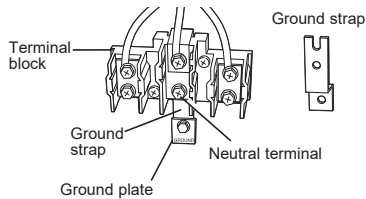
- D. Replace wire cover on range back and replace the screws that were removed earlier. Make sure no wires are pinched between cover and range back.

**PROCEED TO STEP 6.**

## 6 4-WIRE INSTALLATION

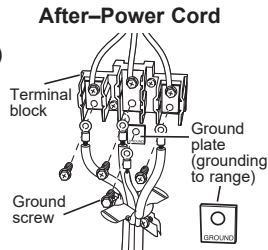
**⚠ WARNING** The neutral wire of the supply circuit must be connected to the neutral terminal located in the lower center of the terminal block. The power leads must be connected to the lower left and the lower right terminals of the terminal block. The grounding lead must be connected to the range with the ground plate and the green ground screw.

### FOR POWER CORD INSTALLATION Before—Power Cord and Conduit



- A. Remove the 3 lower terminal screws from the terminal block. Remove the ground screw and ground plate and retain them. Remove and discard the ground strap. **DO NOT DISCARD ANY SCREWS.**
- B. Insert the one ground screw into the power cord ground wire terminal ring, through the ground plate and into the range.

- C. Insert the 3 terminal screws (removed earlier) through each power cord terminal ring and into the lower terminals of the terminal block. Be certain that the center wire



- (white/neutral) is connected to the center lower position of the terminal block. Tighten screws securely into the terminal block.

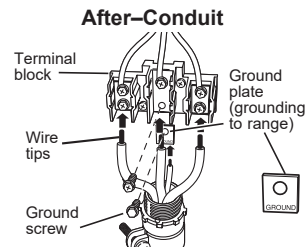
## 6 4-WIRE INSTALLATION (cont.)

- D. Replace wire cover on range back and replace the screws that were removed earlier. Make sure no wires are pinched between cover and range back.

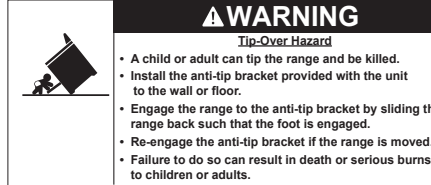
### FOR CONDUIT INSTALLATION

- A. Loosen the 3 lower terminal screws on the terminal block. Strip wire to exposed tip about 5/8" long.
- B. Insert the center (white/neutral) wire tip through the bottom center terminal block opening. On certain models, the wire will need to be inserted through the ground strap opening and then into the bottom center block opening. Insert the two side bare wire tips into the lower left and the lower right terminal block openings.
- C. Tighten the screws until the wire is firmly secured (35 to 50 inch-lbs.). Do not over-tighten the screws.

**NOTE: ALUMINUM WIRING:** Aluminum building wire may be used but it must be rated for the correct amperage and voltage.

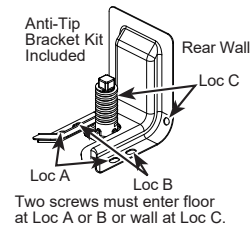


## 7 ANTI-TIP DEVICE INSTALLATION



To reduce the risk of tipping the range, the range must be secured by a properly installed anti-tip bracket. Remove any currently used anti-tip bracket and install with the provided anti-tip bracket.

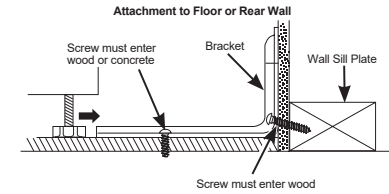
1. **IMPORTANT:** Determine the final location of the range before attempting to install the bracket. Remove existing anti-tip bracket from install space, if present.



- a. Place the bracket on the floor with the back edge against the rear wall. If the range does not reach the rear wall, align the back edge of the bracket with the rear panel of the range in its final location.
- If bracket does not touch the rear wall, you **MUST** screw bracket to **FLOOR** as described in Step 2.
- b. Position the side of the bracket against either the left or right cabinet. If there is no adjacent cabinet, align the edge of the bracket with the side panel of the range in its final location. If the countertop overhangs the cabinet, offset the bracket from the cabinet by the amount of overhang.
- c. Mark the location for the pair of holes to be used (see illustration above).

**NOTE:** For **FLOOR** installation use either Loc A or B. For **REAR WALL** installation use Loc C.

2. The bracket must be screwed to either the **FLOOR** or **REAR WALL**.



### FLOOR Installation:

**WOOD FLOOR:** Use the screws provided to secure the bracket using the pair of marked holes (either Loc A or B).

**CONCRETE FLOOR:** Using a concrete bit, drill a 5/32" pilot hole 2" deep into the concrete at the center of each of the marked holes (either Loc A or B). Use the screws provided to secure the bracket into the floor.

### REAR WALL Installation:

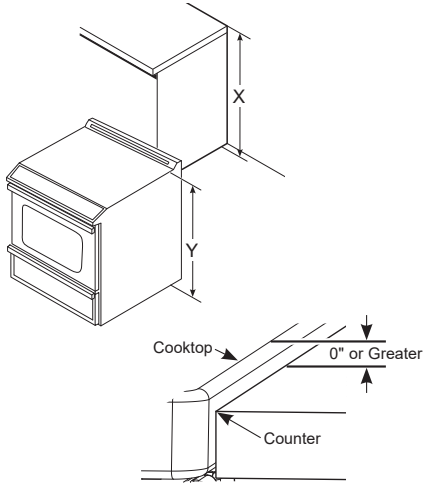
Use the 2 screws provided to secure the bracket using the pair of marked holes at Loc C. The screws **MUST** enter into a wood sill plate. If the wall contains any metal studs or similar materials, then the floor must be used.

3. To check if the bracket is installed and engaged properly, look underneath the range to see that the rear leveling leg is engaged in the bracket. On some models, the storage drawer or kick panel can be removed for easy inspection. If visual inspection is not possible, slide the range forward, confirm the anti-tip bracket is securely attached to the floor or wall, and slide the range back so the rear leveling leg is under the anti-tip bracket. If your range is removed for cleaning, servicing, or any reason, be sure the anti-tip device is reengaged properly when the range is replaced. Failure to take this precaution could result in tipping of the range and can result in death or serious burns to children or adults. Never completely remove the leveling legs or the range will not be secured to the anti-tip device properly.

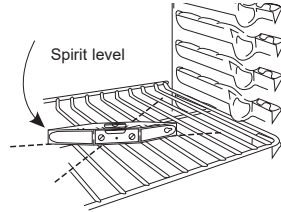
## 8 LEVEL THE RANGE

**▲WARNING** Never completely remove the leveling leg as the range will not be secured to the anti-tip device properly.

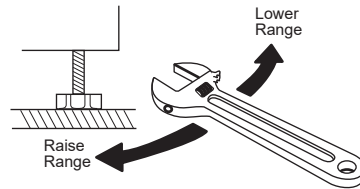
- A. Plug in the unit and remove the drawer. Refer to your owner's manual for instructions.
- B. Measure the height of your countertop at the rear of the opening (X).
- C. Adjust two rear leveling legs so that the rear of cooktop is higher than or equal to the counter (Y).



- G. Check for levelness by placing a spirit level on one of the oven shelves. Take two readings—with the level placed diagonally first in one direction and then the other.



- H. Use an adjustable wrench to adjust the front leveling legs until the range is level.



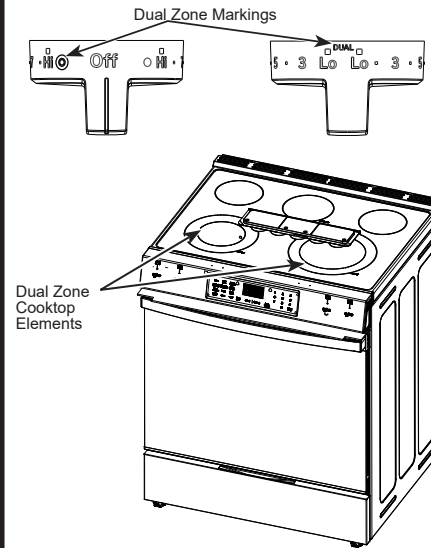
- I. Position cord so that it does not interfere with drawer.
- J. Reinstall the drawer. Refer to your owner's manual for instructions.

- D. Slide unit into place taking care to engage the leveling legs in the anti-tip device.
- E. Look under the unit and verify that the rear leg is fully engaged with the anti-tip device. If not, remove the unit and adjust the height of the rear leg so that it is properly engaged.
- F. Install racks in the oven.

## 9 INSTALL KNOBS

- Remove all knobs from packaging.
- Install the knobs onto the cooktop element switch shafts.

**IMPORTANT:** The dual zone knobs should be matched to the dual zone cooktop element switch shafts.



## 10 FINAL INSTALLATION CHECKLIST

- Check to make sure the circuit breaker is closed (RESET) or the circuit fuses are replaced.
- Be sure power is in service to the building.
- Check that all packing materials and tape have been removed. This will include tape on metal panel under control knobs (if applicable), adhesive tape, wire ties, cardboard and protective plastic. Failure to remove these materials could result in damage to the appliance once the appliance has been turned on and surfaces have heated.
- Check that the door and drawer are parallel to each other and that both operate smoothly. If they do not, see the owner's manual for proper replacement.
- Check that the oven control operates properly. If the oven control does not operate properly, recheck the wiring connections.
- Make sure all controls are left in the off position.



# Instrucciones de Instalación Cocinas Eléctricas

¿Preguntas? Llame a GE Appliances al 800.GE.CARES (800.432.2737) o visita [GEAppliances.com](http://GEAppliances.com).

## ANTES DE COMENZAR

Lea estas instrucciones por completo y con detenimiento.

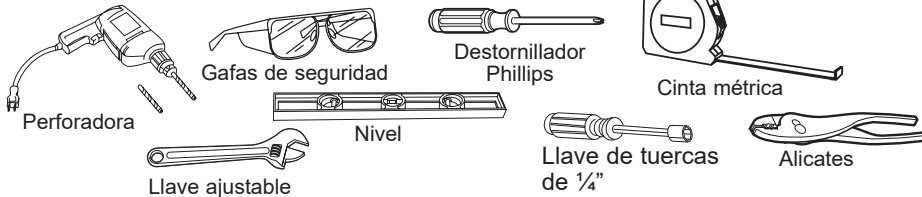
**ADVERTENCIA** Retire el soporte antivolcaduras del espacio de instalación, en caso de estar presente.

- **IMPORTANTE** – Guarde estas instrucciones para el uso de inspectores locales.
- **IMPORTANTE** – Cumpla con todos los códigos y ordenanzas vigentes.
- **Nota al instalador** – Asegúrese de dejar estas instrucciones con el Consumidor.
- **Nota al consumidor** – Conserve estas instrucciones para referencia futura.
- **Servicio Técnico** – El diagrama eléctrico se encuentra en el sobre adherido al panel del lateral izquierdo, al ser retirado el cajón.
- El instalador tiene la responsabilidad de efectuar una instalación adecuada.
- La garantía no cubre las fallas del producto provocadas por una instalación incorrecta.
- **IMPORTANTE** — Retire todo el material de embalaje y material escrito del horno antes de conectar el gas y el suministro de corriente a la cocina.
- **Nivel de capacidad** – La instalación de este aparato requiere capacidades mecánicas básicas y capacidades eléctricas avanzadas.

## FORMA ADECUADA DE DESCARTAR SU ELECTRODOMÉSTICO

Descarte o recicle su electrodoméstico de acuerdo con las Regulaciones Federales y Locales. Comuníquese con las autoridades locales para descartar o reciclar su electrodoméstico de forma ambientalmente segura.

## HERRAMIENTAS NECESARIAS



## PARA SU SEGURIDAD:

**ADVERTENCIA**  
Riesgo de Caída

- Un niño o adulto pueden volcar la cocina y morir.
- Instale el soporte anti-volcaduras provisto con la unidad sobre la pared o el piso.
- Asegúrese la estufa al soporte anti-volcaduras deslizando la unidad hacia atrás de tal manera que la pata niveladora sea enganchada.
- Vuelva a adherir el soporte anti-volcaduras si la estufa se mueve de lugar.
- Si esto no se hace, se podrá producir la muerte o quemaduras graves en niños o adultos.

Si no recibió un soporte anti volcaduras con su compra, llame al 1.800.626.8774 para recibir uno sin costo. Para recibir instrucciones de instalación del soporte, visite: [GEAppliances.com](http://GEAppliances.com).



Retire cualquier soporte antivolcaduras actualmente usado y realice la instalación con el soporte antivolcaduras y los tornillos provistos.

**ADVERTENCIA** Antes de comenzar la instalación, apague el encendido en el panel de servicio y bloquee el medio de desconexión del servicio a fin de evitar que el encendido se active de forma accidental. Cuando el medio de desconexión del servicio no se pueda bloquear, ajuste de manera segura un ítem de advertencia que esté bien visible, tal como una etiqueta, sobre el panel de servicio.

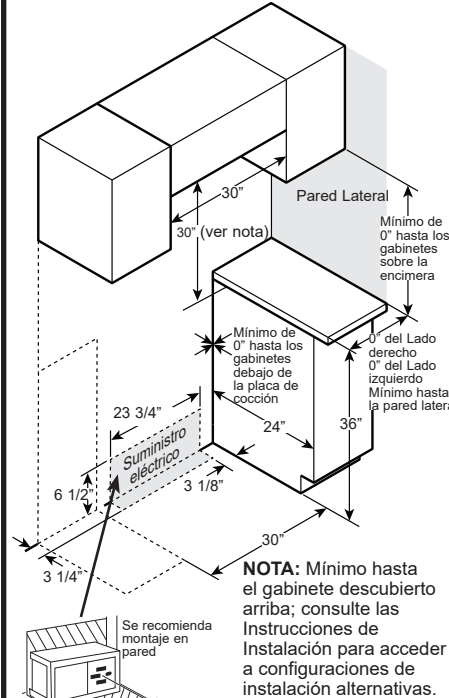
## MATERIALES QUE PUEDE NECESITAR

- Conector de presión (Sólo para instalaciones con conductos)
- Cable de 4 hilos de 4' (1,2 m) de largo O cable de 3 hilos de 4' (1,2 m) de largo (Aprobado por UL de 40 AMP)

## DIMENSIONES Y ESPACIOS

Verifique que el revestimiento de las paredes, el mostrador, el piso y los gabinetes ubicados alrededor de la cocina puedan soportar el calor (hasta 200°F) generado por la cocina.

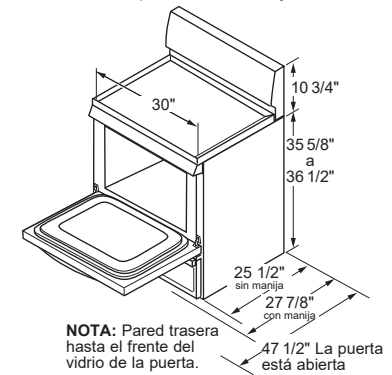
Deje un espacio de 30" como mínimo entre las unidades de superficie y la parte inferior de gabinetes de madera o de metal sin protección o deje un mínimo de 24" cuando la parte inferior del gabinete de madera o metal se encuentre protegida por cartón aislante de un grosor no menor a 1/4" y con retardo de llama cubierto con una placa de metal no menor a MSG N° 28, acero inoxidable de un grosor de .015", aluminio de .024" o cobre de .020".



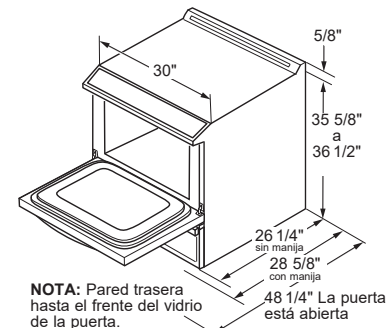
Oriente el receptáculo eléctrico de modo que la longitud sea paralela al piso.

Este aparato ha sido aprobado para un espacio de 0" respecto de superficies adyacentes sobre la estufa. Sin embargo, se recomienda un espacio mínimo de 6" respecto de superficies menores a 15" sobre la estufa y gabinete adyacente para reducir la exposición al vapor, salpicaduras de grasa y calor.

Para reducir el riesgo de quemaduras o incendios cuando se incline sobre los elementos de superficie calientes, debe evitarse la instalación de espacios de almacenamiento en gabinetes sobre la estufa. Si debe contarse con espacio para almacenamiento en gabinetes sobre la estufa, puede reducirse el riesgo instalando una campana de cocina que sobresalga por lo menos 5" más allá del frente de los gabinetes. Los gabinetes instalados por encima de la estufa no deben tener una profundidad mayor a los 16".



### CONTROL TRASERO



### CONTROL FRONTAL

## 1 QUITE LOS MATERIALES DE ENVÍO:

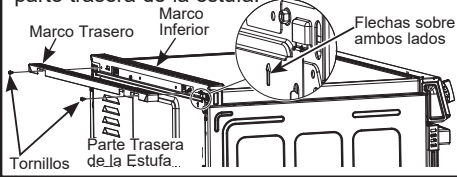
No quitar los materiales de empaque puede provocar daños al electrodoméstico. Quite todas las partes de empaque del horno, bandejas, elementos calentadores y cajón. También, quite la película protectora y las

etiquetas de la puerta exterior, estufa y panel de control.

Tenga en cuenta las opciones de reciclaje del material de embalaje de su electrodoméstico.

## 2 ADHIERA EL MARCO DE RELLENO REQUERIDO

En **TODAS las instalaciones con control frontal**, será necesario instalar el marco de relleno incluido. Retire los dos tornillos sobre el marco trasero indicados con las flechas cercanas. Vuelva a usar los dos tornillos para adherir el marco de relleno sobre la parte trasera de la estufa.



## 3 CONEXIONES ELÉCTRICAS

**ADVERTENCIA** Esta unidad debe contar con una adecuada conexión a tierra. Si no cumple con esto se podrán producir descargas eléctricas.

**ADVERTENCIA** Todas las construcciones nuevas, casas rodantes, vehículos recreativos e instalaciones donde los códigos locales no permiten una conexión a tierra a través de un neutral requieren un cable para cocina de 4 conductores aprobado por UL.

**ADVERTENCIA** Para prevenir un incendio o descarga eléctrica, no utilice un cable de extensión con este aparato.

**ADVERTENCIA** Para prevenir una descarga eléctrica, quite el fusible o abra el interruptor de circuitos antes de comenzar la instalación.

Recomendamos que un electricista calificado conecte el cableado eléctrico y su cocina. Después de la instalación, solicite al electricista que le indique cómo desconectar la energía de la cocina.

Usted debe usar un sistema eléctrico de 60 hercios CA de fase única de 120/280 voltios o 120/240 voltios. Si tiene una conexión con cableado de aluminio, deben utilizarse conectores adecuadamente instalados para utilizar con cableado de aluminio.

Vigente desde el 1 de enero de 1996, el Código Eléctrico Nacional requiere que las nuevas construcciones (no existentes) utilicen una conexión de cuatro conductores a una cocina eléctrica. Cuando instale una cocina eléctrica en una nueva construcción, una casa rodante, un vehículo recreativo o un área donde los códigos locales prohíben la conexión a tierra a través de un conductor neutral, consulte la sección sobre conexiones en circuito derivado de cuatro conductores.

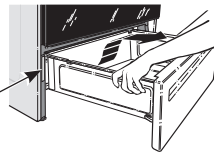
## 3 CONEXIONES ELÉCTRICAS (Cont.)

Consulte a las empresas de servicio público sobre los códigos eléctricos que se aplican en su área. No realizar el cableado de su horno de acuerdo con los códigos vigentes puede provocar una situación peligrosa. Si no existen códigos locales, su cocina debe contar con cables y fusibles que cumplan con los requisitos del Código Eléctrico Nacional, ANSI/NFPA No. 70—Última edición.

Este electrodoméstico debe recibir el voltaje y frecuencia adecuados, y debe conectarse a un circuito derivado individual con adecuada conexión a tierra de 40 amperios (mínimo) protegido por un interruptor de circuitos o fusible con retraso.

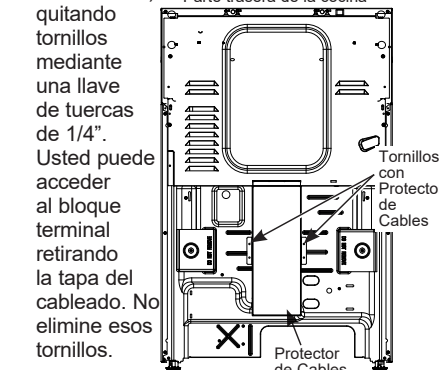
Utilice sólo un cable para cocinas de 3 o 4 conductores aprobado por UL. Estos cables pueden contar con terminales de anillo en alambre y un dispositivo de alivio de tensión. Se requiere un cable para cocinas clasificado para 40 amperios con rango de voltios mínimo de 125/250. No se recomienda un cable de 50 amperios, pero si se utiliza, debe señalizarse para usarse con aberturas de conexión de un diámetro nominal de 1-3/8". Debe tenerse cuidado al centrar el cable y el alivio de tensión dentro del orificio de expulsión para evitar que el borde dañe el cable.

La placa de especificaciones técnicas está ubicada en el marco que rodea el cajón.



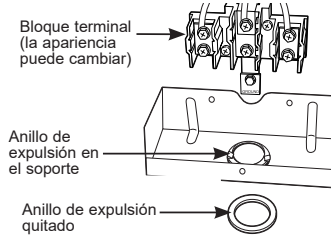
## 4 INSTALACIÓN DE CABLE DE ENERGÍA Y DE PASACABLES

A. Quite la tapa del cable (en la parte trasera de la cocina)

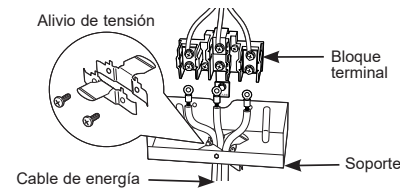


## 4 INSTALACIÓN DE CABLE DE ENERGÍA Y DE PASACABLES (cont.)

B. Para cable de energía y pasacables de 1" solamente, quite el anillo de expulsión (1-3/8") ubicado en el soporte directamente debajo del bloque terminal. Para quitar el anillo, utilice un par de alicates para doblar el anillo de expulsión lejos del soporte y gire hasta remover el anillo.

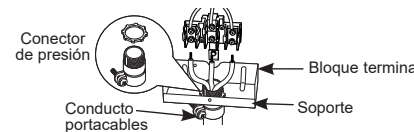


C. Sólo para instalaciones de cable de energía (ver el paso siguiente si utiliza un conducto portacables), instale el alivio de tensión en el orificio. Introduzca el cable de energía a través del alivio de tensión y ajuste. Deje un largo suficiente para poder conectar las terminales de cable al bloque terminal. Si hay lengüetas al final del alivio de tensión con alas, éstas pueden quitarse para un ajuste mejor.



**NOTA:** No instale el cable de corriente sin un amortiguador de refuerzo. El soporte del amortiguador de refuerzo se **DEBERÁ** instalar antes de volver a instalar la tapa del cableado de la parte trasera de la estufa.

D. Sólo para instalaciones con conducto portacables de 3/4", adquiera un conector de presión que se ajuste al diámetro de su conducto e instálelo en el orificio. Introduzca el conducto a través del conector de presión y ajuste. Deje un largo suficiente para poder pegar los cables al bloque terminal. **NOTA:** No instale el conducto sin un conector de presión. El conector de presión **DEBERÁ** ser instalado antes de volver a instalar el cable trasero de la cocina o la tapa del bloque terminal.



**SIGA CON EL PASO 4 O 5.**

## 5 INSTALACIÓN DE TRES (3) ALAMBRES

**ADVERTENCIA** El cable neutral o a tierra del cable de energía debe estar conectado a la terminal neutral ubicada en el centro del bloque terminal y la cinta de conexión a tierra debe conectar la terminal neutral a la placa de conexión a tierra. Los cables de energía deben estar conectados a las terminales inferior izquierda e inferior derecha del bloque terminal.

**NO quite** la cinta de conexión a tierra. **PARA INSTALACIÓN DE CABLE DE ENERGÍA**

A. Quite los 3 tornillos inferiores del bloque terminal.

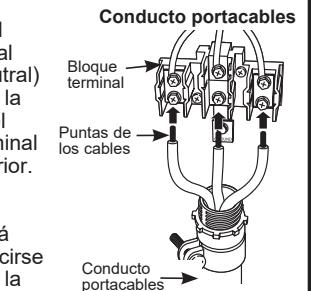
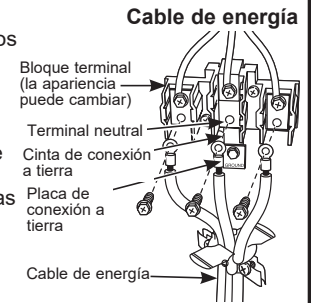
B. Introduzca los 3 tornillos de terminal a través de cada anillo de terminal de cable de energía y dentro de las terminales inferiores del bloque terminal. Asegúrese de que el alambre central (blanco/neutral) se encuentre conectado a la posición central inferior del bloque terminal.

C. Ajuste bien los tornillos al bloque terminal. **PARA INSTALACIÓN DE CONDUCTO PORTACABLES**

A. Afloje los 3 tornillos inferiores del bloque terminal. Pele el cable para exponer su punta aproximadamente 5/8" de largo.

B. Introduzca la punta del cable central (blanco/neutral) a través de la abertura del bloque terminal central inferior. En algunos modelos, el cable tendrá que introducirse a través de la abertura de la cinta de conexión a tierra y luego a través de la abertura del bloque central inferior. Introduzca las dos puntas de cable pelado dentro de las aberturas de bloque terminal izquierda inferior y derecha inferior.

C. Ajuste los tornillos hasta que el cable quede bien firme (35 a 50 pulg.-lbs). No ajuste los tornillos de más.



## 5 INSTALACIÓN DE TRES (3) ALAMBRES (cont.)

**NOTA: CABLEADO DE ALUMINIO:** Puede utilizarse cable de construcción de aluminio pero debe clasificarse para el amperaje y voltaje correctos.

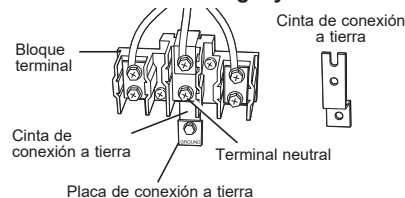
D. Vuelva a colocar la tapa del cableado sobre la estufa y vuelva a colocar los tornillos que fueron retirados con anterioridad. Asegúrese de que no haya torceduras de cables entre la tapa y la parte trasera de la estufa.

**SIGA CON EL PASO 6.**

## 6 INSTALACIÓN DE 4 HILOS

**ADVERTENCIA** El cable neutral del circuito de suministro debe estar conectado a la terminal neutral ubicada en el centro inferior del bloque terminal. Los cables de energía deben estar conectados a las terminales inferior izquierda e inferior derecha del bloque terminal. El cable a tierra debe estar conectado al armazón de la cocina con la placa de conexión a tierra y el tornillo verde a tierra.

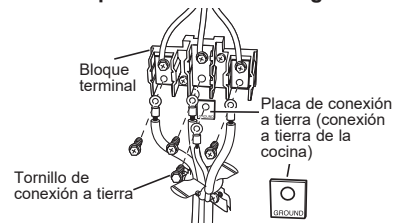
### Antes – Cable de energía y conducto



### PARA INSTALACIÓN DE CABLE DE ENERGÍA

- Quite los 3 tornillos inferiores del bloque terminal. Quite el tornillo a tierra y la placa de conexión a tierra y consérvelos. Retire y descarte la cinta de conexión a tierra. **NO DESCARTE NINGÚN TORNILLO.**
- Introduzca el único tornillo de conexión a tierra dentro del anillo terminal de conexión a tierra del cable de energía, a través de la placa de conexión a tierra y en la estufa.

### Después—Cable de energía



## 6 INSTALACIÓN DE 4 HILOS (Cont.)

- Introduzca los 3 tornillos de terminal (quitados antes) a través de cada anillo de terminal de cable de energía y dentro de las terminales inferiores del bloque terminal. Asegúrese de que el hilo central (blanco/neutral) se encuentre conectado a la posición central inferior del bloque terminal. Ajuste bien los tornillos al bloque terminal.
- Vuelva a colocar la tapa del cableado sobre la estufa y vuelva a colocar los tornillos que fueron retirados con anterioridad. Asegúrese de que no haya torceduras de cables entre la tapa y la parte trasera de la estufa.

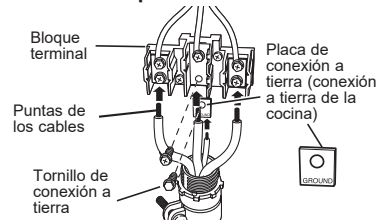
### PARA INSTALACIÓN CON CONDUCTO

- Quite los 3 tornillos inferiores del bloque terminal. Pele el cable para exponer una punta de un largo de 5/8".
- Inserte la punta del cable central (blanco/ neutro) a través de la abertura del bloque terminal de la parte central inferior. En ciertos modelos, el cable se deberá insertar a través de la abertura de la cinta de conexión a tierra y luego en la abertura del bloque central inferior. Introduzca las dos puntas de cable pelado dentro de las aberturas de bloque terminal izquierda inferior y derecha inferior.

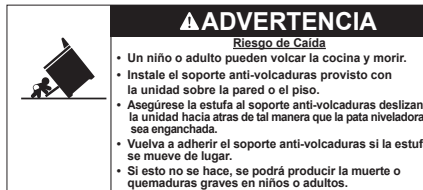
- Ajuste los tornillos hasta que el cable quede bien firme (35 a 50 pulg-lbs). No ajuste los tornillos de más.

**NOTA: CABLEADO DE ALUMINIO:** Puede utilizarse cable de construcción de aluminio pero debe tener la clasificación para el amperaje y voltaje correctos.

### Después—Conducto

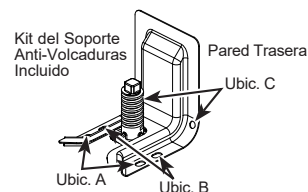


## 7 INSTALACIÓN DE DISPOSITIVO ANTI-VOLCADURAS (cont.)



Para reducir el riesgo de volcar la cocina, ésta debe sujetarse mediante un soporte anti-volcaduras con una adecuada instalación. Retire cualquier soporte antivolcaduras actualmente usado y realice la instalación con el soporte antivolcaduras provisto.

- 1. IMPORTANTE:** Determine la ubicación final de la cocina antes de tratar de instalar el soporte. Retire el soporte antivolcaduras del espacio de instalación, en caso de estar presente.

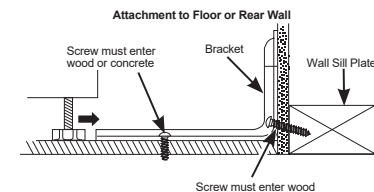


Los tornillos deberán ingresar en el piso en la Ubic. A o B o en la pared en la Ubic. C.

- Coloque el soporte en el piso con el lado trasero sobre la pared trasera. Si la cocina no llega a la pared trasera, alinee el lado trasero del soporte con el panel trasero de la cocina en su ubicación final. Si el soporte no toca la pared trasera, usted **DEBE** atornillar el soporte al PISO como se describe en el Paso 2.
- Coloque el lado del soporte sobre el gabinete izquierdo o derecho. Si no hay un gabinete adyacente, alinee el extremo del soporte con el panel lateral de la cocina en su ubicación final. Si el mostrador de encimera sobresale del gabinete, modifique la posición del soporte desde el gabinete considerando la cantidad que sobresale.
- Marque la ubicación para el par de orificios que se utilizarán (ver la ilustración de arriba).

**NOTA:** Para instalaciones de PISO utilice la Ubic. A o B. Para la instalación de PARED TRASERA utilice la Ubic. C.

- El soporte debe atornillarse al PISO o a la PARED TRASERA.



### Instalación de PISO:

**PISO DE MADERA:** Utilice los tornillos provistos para sujetar el soporte utilizando el par de orificios marcados (Ubic. A o B).

**PISO DE CONCRETO:** Utilizando una broca para concreto, perforo un orificio piloto de 5/32" de 2" de profundidad dentro del concreto en el centro de cada uno de los orificios marcados (Ubic. A o B). Utilice los tornillos provistos para sujetar el soporte al piso.

### Instalación de PARED TRASERA:

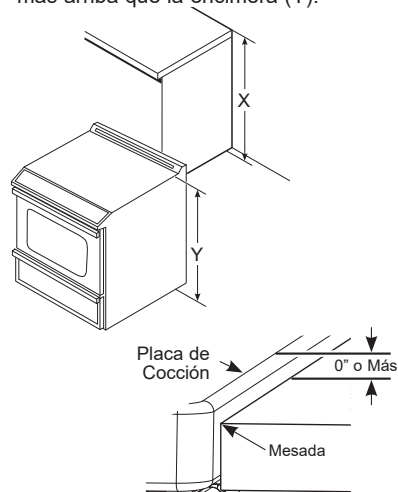
Utilice los 2 tornillos provistos para sujetar el soporte utilizando el par de orificios marcados en Ubic. C. Los tornillos **DEBEN** ingresar en el umbral de madera. Si la pared contiene parantes de metal o materiales similares, entonces debe usarse el piso.

- Para controlar si el soporte es instalado y ajustado de forma apropiada, mire que debajo de la cocina la pata niveladora trasera esté ajustada al soporte. En algunos modelos, el cajón de almacenamiento o el panel de protección se pueden retirar para una fácil inspección. Si no es posible realizar una inspección visual, deslice la cocina hacia adelante, confirme que el soporte anti-volcaduras esté ajustado de forma segura al piso o la pared, y deslice la cocina hacia atrás de modo que la pata niveladora trasera se encuentre debajo del soporte anti-volcaduras. Si la estufa es retirada para su limpieza, servicio técnico o cualquier otra razón, asegúrese de que el dispositivo anti volcaduras vuelva a ser colocado de forma correcta cuando la estufa sea instalada nuevamente. Si no se toma esta precaución, se podrán producir caídas de la estufa y ocasionar la muerte o quemaduras graves en niños o adultos. Nunca retire completamente las patas niveladoras, ya que la estufa no estará asegurada de forma adecuada al dispositivo antivolcaduras.

## 8 NIVELE LA ESTUFA

**▲ADVERTENCIA** Nunca retire completamente las patas niveladoras, ya que la cocina no estará asegurada de forma adecuada al dispositivo anti-volcaduras.

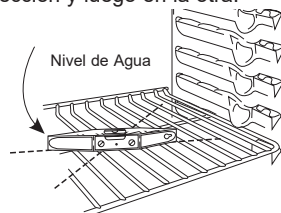
- A. Enchufe la unidad.
- B. Mida la altura de su mostrador de encimera en la parte trasera de la abertura (X).
- C. Ajuste las patas niveladoras de modo que la parte trasera de la placa de cocción quede más arriba que la encimera (Y).



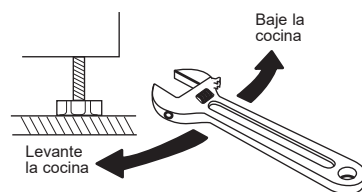
- D. Deslice la unidad en su ubicación teniendo cuidado de adherir las patas niveladoras en el dispositivo antivolcaduras.
- E. Observe debajo de la unidad y verifique que la pata trasera esté completamente adherida al dispositivo antivolcaduras. De no ser así, retire la unidad y ajuste la altura de la pata trasera de modo que quede correctamente adherida.

F. Instale los estantes en el horno.

G. Controle la nivelación colocando un nivel de burbuja de aire sobre uno de los estantes del horno. Haga dos lecturas—con el nivel ubicado en diagonal primero en una dirección y luego en la otra.



H. Use una llave de ajuste para ajustar las patas niveladoras frontales, hasta que la estufa quede nivelada.

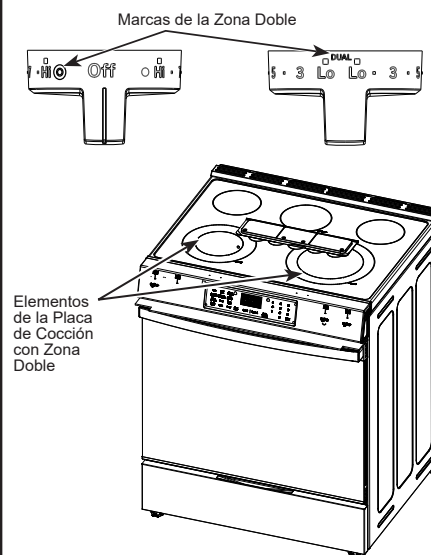


- I. Coloque el cable de modo que no interfiera con el cajón.
- J. Vuelva a instalar el cajón. Para acceder a instrucciones, consulte el manual del propietario.

## 9 INSTALACIÓN DE LAS PERILLAS

- Retire todas las perillas del embalaje
- Instale las perillas sobre los ejes del interruptor del elemento de la placa de cocción.

**IMPORTANTE:** Las perillas de la zona doble se deberán hacer coincidir con los ejes del interruptor del elemento de la placa de cocción con zona doble.



## 10 LISTA DE CONTROL FINAL DE LA INSTALACIÓN

- Verifique que el interruptor de circuitos se encuentre cerrado (RESET) o que los fusibles del circuito se hayan reemplazado.
- Asegúrese de que se cuente con suministro eléctrico en el edificio.
- Controle que se haya quitado todo el material de empaque y la cinta. Esto incluye cinta sobre el panel de metal bajo las perillas de control (si corresponde), cinta adhesiva, ataduras de alambre, cartón y plástico protector. No quitar estos materiales puede provocar daños al electrodoméstico una vez que el aparato se haya encendido y las superficies se hayan calentado.
- Controle que la puerta y el cajón se encuentren paralelos y que los dos funcionen correctamente. Si no es así, consulte el Manual del propietario para un reemplazo adecuado.
- Verifique que el control del horno funcione correctamente. Si el control del horno no funciona correctamente, vuelva a controlar las conexiones del cableado.
- Asegúrese de que todos los controles queden en la posición de apagado.