

Frigidaire

Factory Parts Catalog

Product No.	GLGQ2152EE0
Series	Frigidaire
Market	North America
Color	black
Volts	120
Wiring Diagram	134509400
Owner's Guide	134763300
Installation Instructions	134763200
Operating Instructions	134431300



Electrolux Major Appliances
North & Latin America
P.O. BOX 212378
AUGUSTA, GA 30917

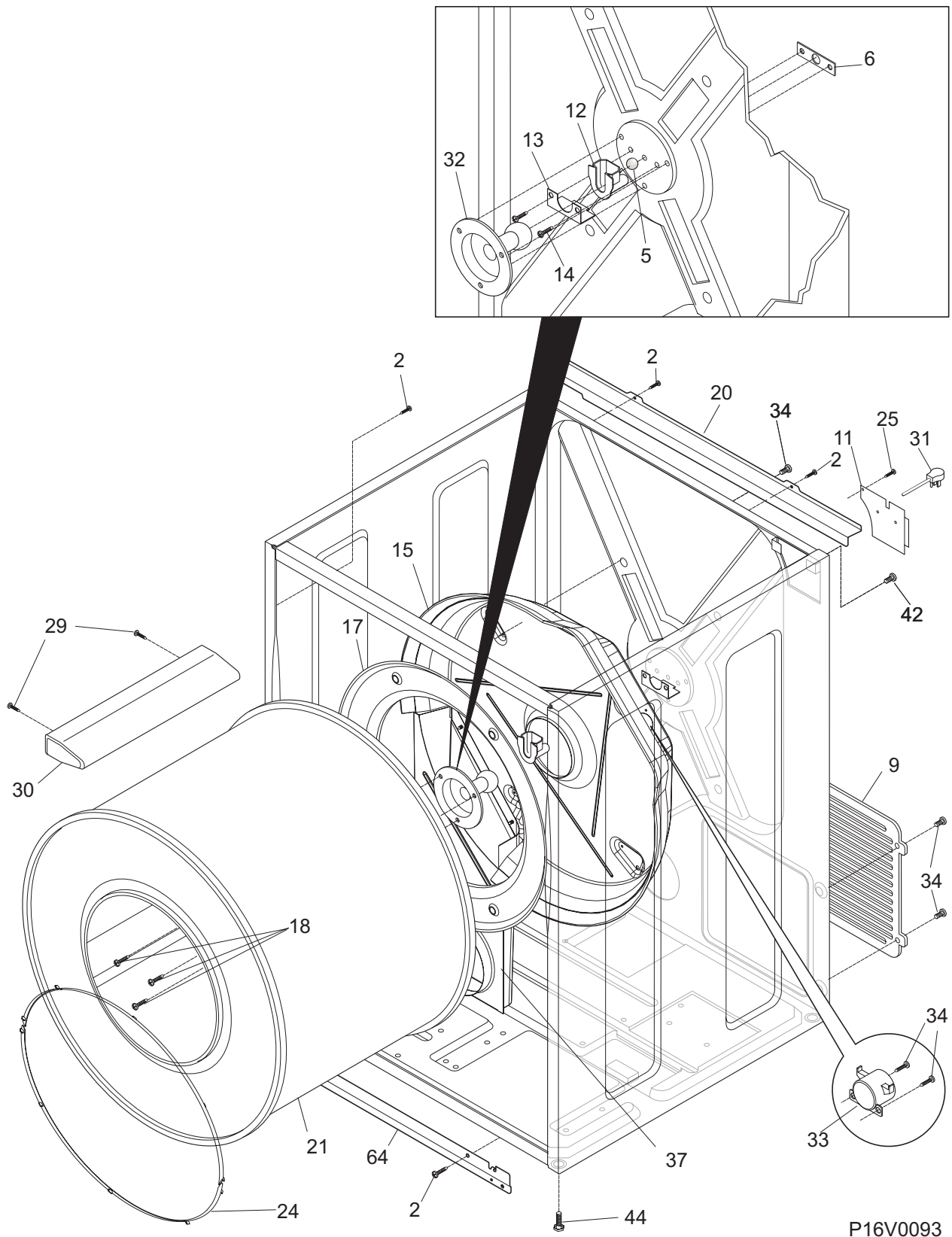
Publication No.
5995469730
06/07/12
(EN/SERVICE/KC)
361

GAS DRYER

Model No.
GLGQ2152E

Copyright © 2006 Electrolux Home Products, Inc.
All rights reserved.

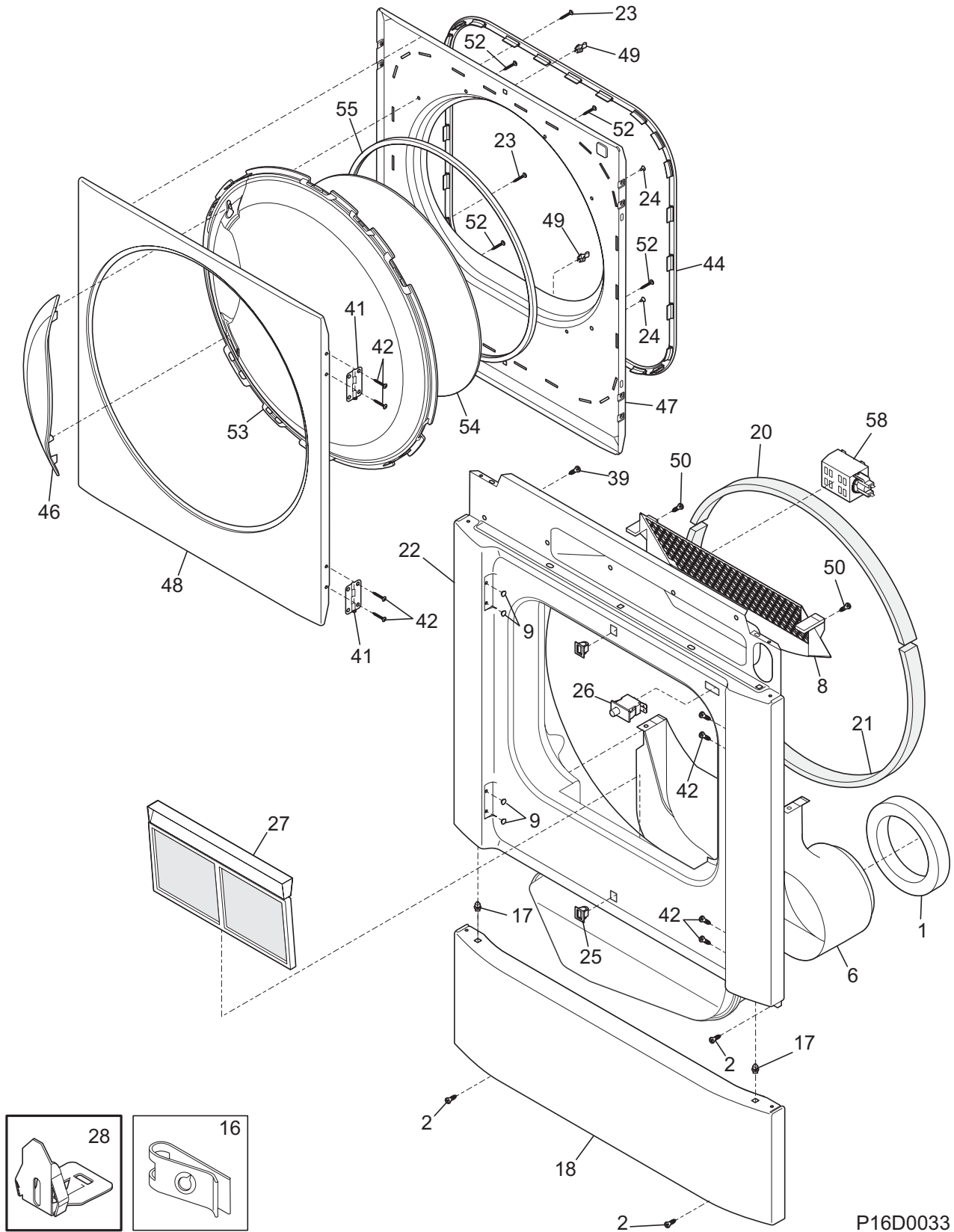
CABINET/DRUM



CABINET/DRUM

POS. NO	PART NO.	DESCRIPTION
2	131168200	Screw, pan head, 8-18B x 0.31
5	5303281019	Ball, grounding
6	5303281020	Clip, ball, steel, flat nut
9	131793200	Panel, service access, rear
11	131363200	Cover, terminal block
12	131825900	Bearing, drum support
13	131724300	Bracket, bearing support
14	131205400	Screw, bracket mtg., 10-16B x 1.375, cr/sq drive
15 #	131600500	Housing, gas heater assy, w/seal
17	3204254	Baffle, heater shield
18	131477000	Screw, 10-16AB x 0.375
20	134166500	Bracket, top panel mtg., rear
21	134122592	Drum, dryer, stnls stl back, painted wrap, service kit
24	131963900	Glide, drum
25	5303015671	Screw, hex washer head, 8-18 x 0.375, cup point
29	131382300	Screw, quadrex head, 10-14 x 1.00, vane mtg., special
30	5303201200	Vane, straight
31 #	134501200	Power Cord, electric svce
32	131777700	Shaft, drum support, ballhitch
32*	5303307893	Lubricant, high temp
33 #	5308015399	Thermostat, safety
34	131243700	Screw, pan head, 8-18AB x 0.375
37	131952100	Duct, heat
42	134154100	Screw, hex washer head, 10-32 x 0.375, ground
44	134344900	Leveling Leg, screw
64	134360100	Bracket, svce panel mtg.
* #	5303281153	Rear Bearing Kit, includes 5, 6, 12, 13, 14, 18, 32
*	134467360	Stacking Kit, washer/dryer

FRONT PANEL/LINT FILTER

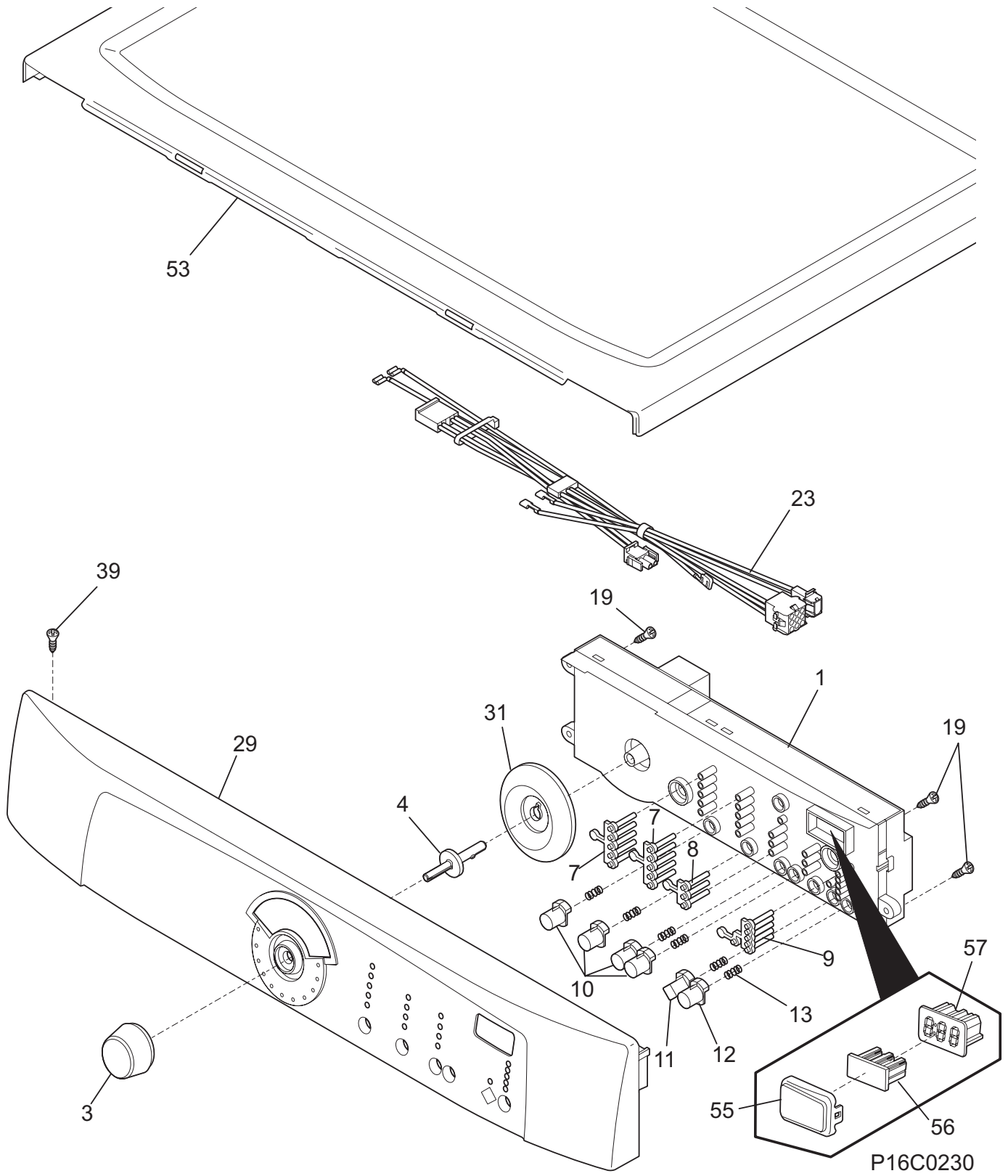


P16D0033

FRONT PANEL/LINT FILTER

POS. NO	PART NO.	DESCRIPTION
1	134417000	Seal, air duct
2	131168200	Screw, pan head, 8-18B x 0.31
6	134382900	Duct, air
8 #	131845845	Cover, lint housing, w/moist sensor
9	131633260	Plug, black
16	134440100	Clip, U-nut
17	134408700	Clip, assembly
18	134321760	Panel, front service, black
20	134440200	Seal, felt, upper
20*	5308027429	• Adhesive, high temp
21	134134700	Seal, felt, lower
22	134397360	Panel, front, black, w/lamp hole
23	134430300	Screw, indt pan head, 10-14 x 0.625, quadrex
24	134465160	Plug, handle hole, black
25	131658845	Door Catch, gray, upper
25	134548045	Latch, door, gray, lower
26 #	131843101	Switch, door, with drum light
27	131450345	Trap, lint blade assy, gray
28	134440000	Clip, guide
39	131205100	Screw, #8 pan head, 10-10B x 0.500, cr/sq drive
41	134412460	Hinge, door, black
42	134156200	Screw, flat head, 8-18AB x 0.44, quad drive
44	134413345	Gasket, door seal, gray
46	134472202	Handle, door
47	134412360	Panel, inner door, black
47*	134560500	Spacer, door
48	134412160	Panel, outer door, black
49	134548100	Door Strike
50	131303300	Screw, pan head, 10-16AB x 0.500, locking
52	134529600	Screw, indt pan head, 8-18AB x 0.375
53	134443202	Adapter, door glass ring
54	134611800	Glass, inner door
55	134580300	Gasket, door glass, inner
58 #	131843500	Lamp Assy, drum light, w/mtg bracket
58*#	131862800	• Lamp

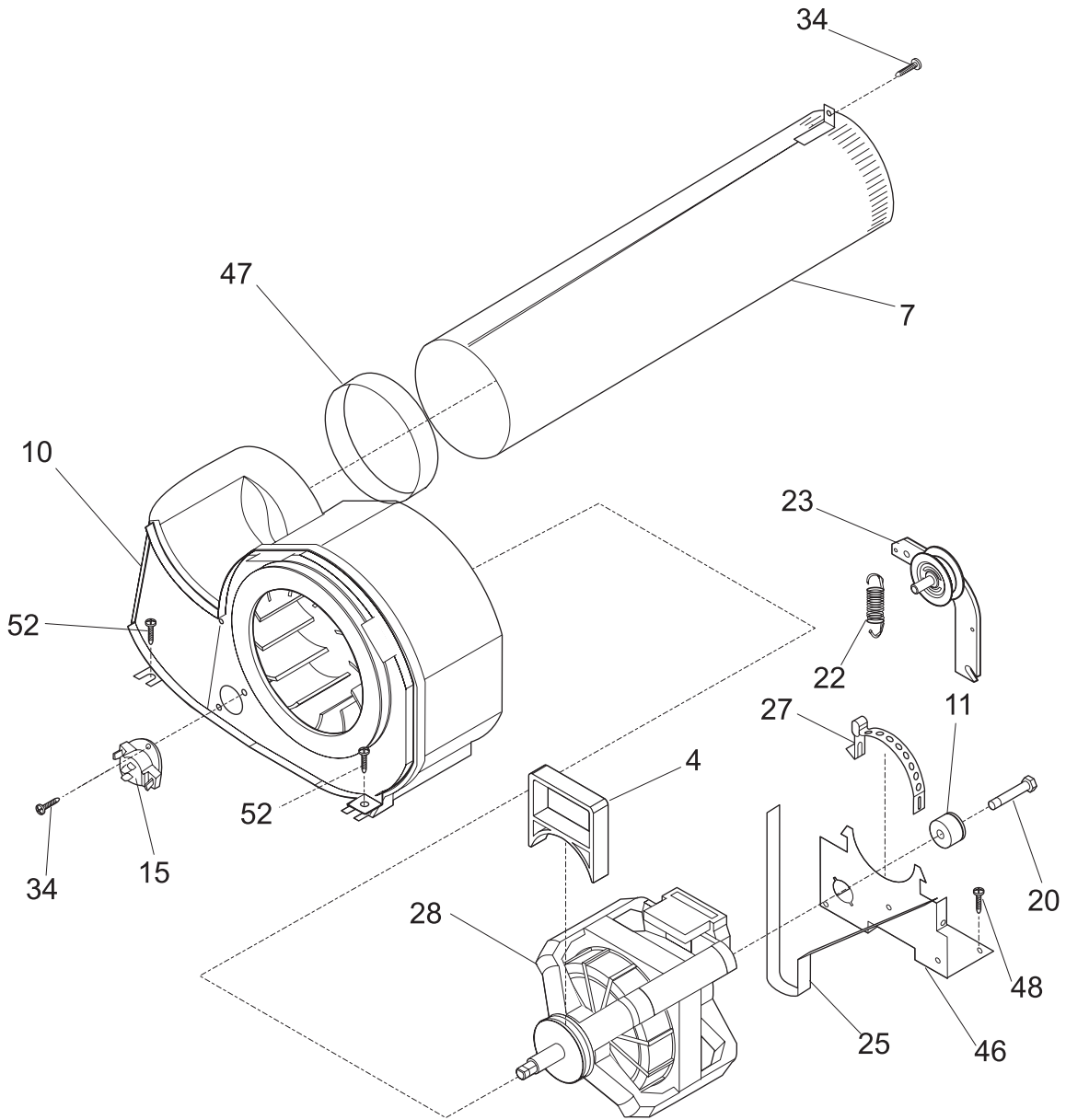
CONTROLS/TOP PANEL



CONTROLS/TOP PANEL

POS. NO	PART NO.	DESCRIPTION
1 #	134523200	Control Board, printed circuit, with housing
3	134471560	Knob, program
4	134347700	Pin, program knob
7	134429100	Light Pipe, array, 1 row of 5
8	134429200	Light Pipe, array, 2 row of 4
9	134429400	Light Pipe, array, 4 start group
10	134447160	Push Button, #1
11	134447201	Push Button, #2
12	134447301	Push Button, #3
13	134349400	Spring, push button
19	134402900	Screw, phillips, 6-19 x 0.650
23 #	134394400	Wiring Harness, controls
23*#	134491500	Wiring Harness, main
29	134759100	Panel, control console, black
31	134758700	Bezel, knob flange
39	134178901	Screw, 8-18AB x 0.455
53	134365060	Panel, work top, black
55	134429000	Lens, digital display
56	134503400	Light Pipe, digital display
57 #	134503300	Display, digital

MOTOR

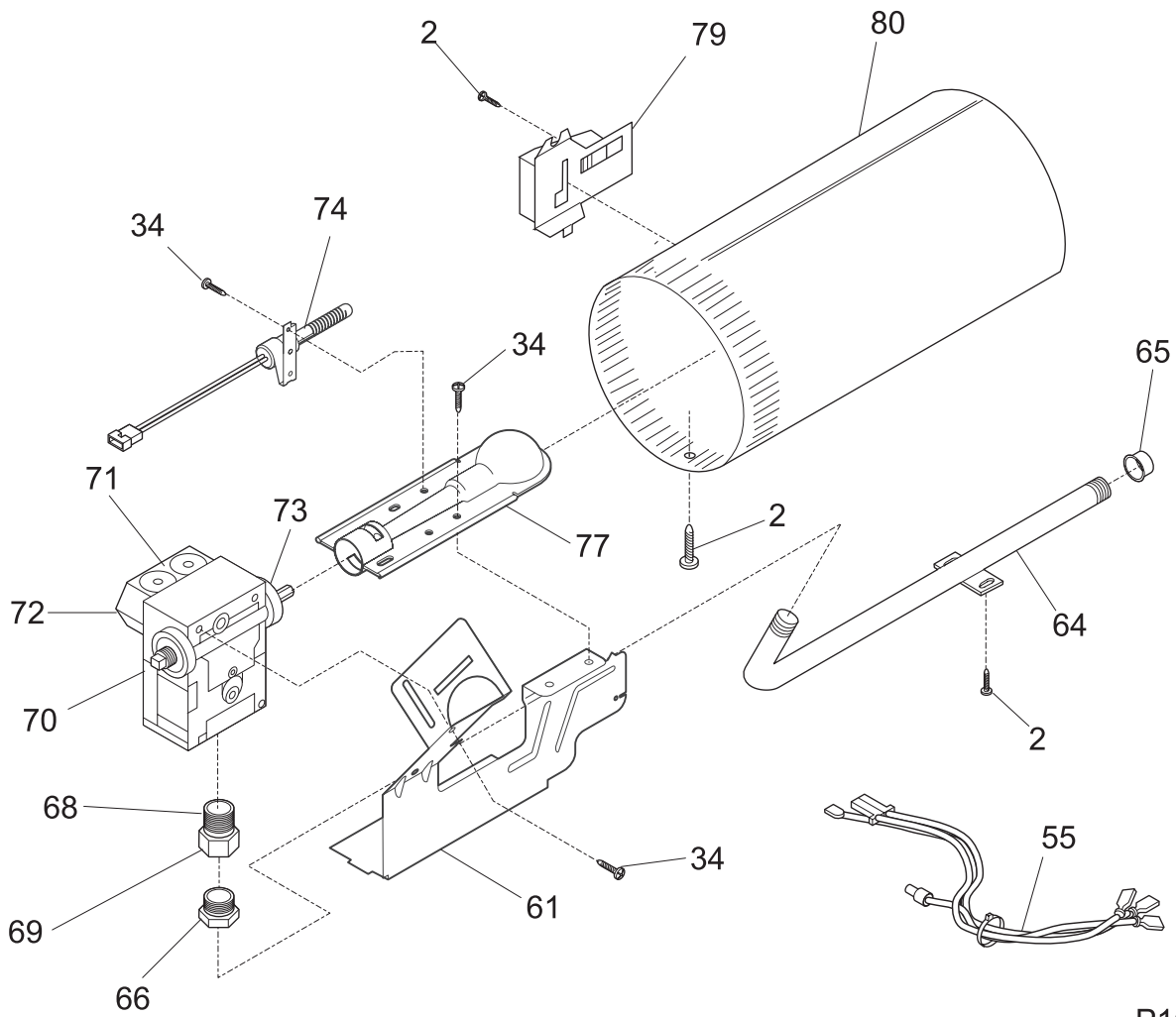


P16M0024

MOTOR

POS. NO	PART NO.	DESCRIPTION
4	131435200	Lock, blower housing
7	131451600	Tube, exhaust, rear, w/mtg bracket
7*	131456800	Tube, exhaust, side/bottom, Optional Kit
10 #	131775600	Blower Assy, housing, w/cover & wheel
11	131749800	Spacer, idler
15 #	134587700	Thermistor, control
20	131017900	Screw, hex head, 1/4-20T x 1.25, spacer mtg., thread cutting
22	131601000	Spring, idler arm
23 #	131863007	Idler Arm Assy, w/pulley
25 #	134503600	Belt, dryer
27	134242400	Clamp, motor mtg.
28 #	131560100	Motor & Pulley Assy
34	131243700	Screw, pan head, 8-18AB x 0.375
46	134203400	Bracket, motor mtg
47	131633300	Seal, exhaust tube
48	131168200	Screw, pan head, 8-18B x 0.31
52	131202300	Screw, 10-16AB x 0.625

BURNER



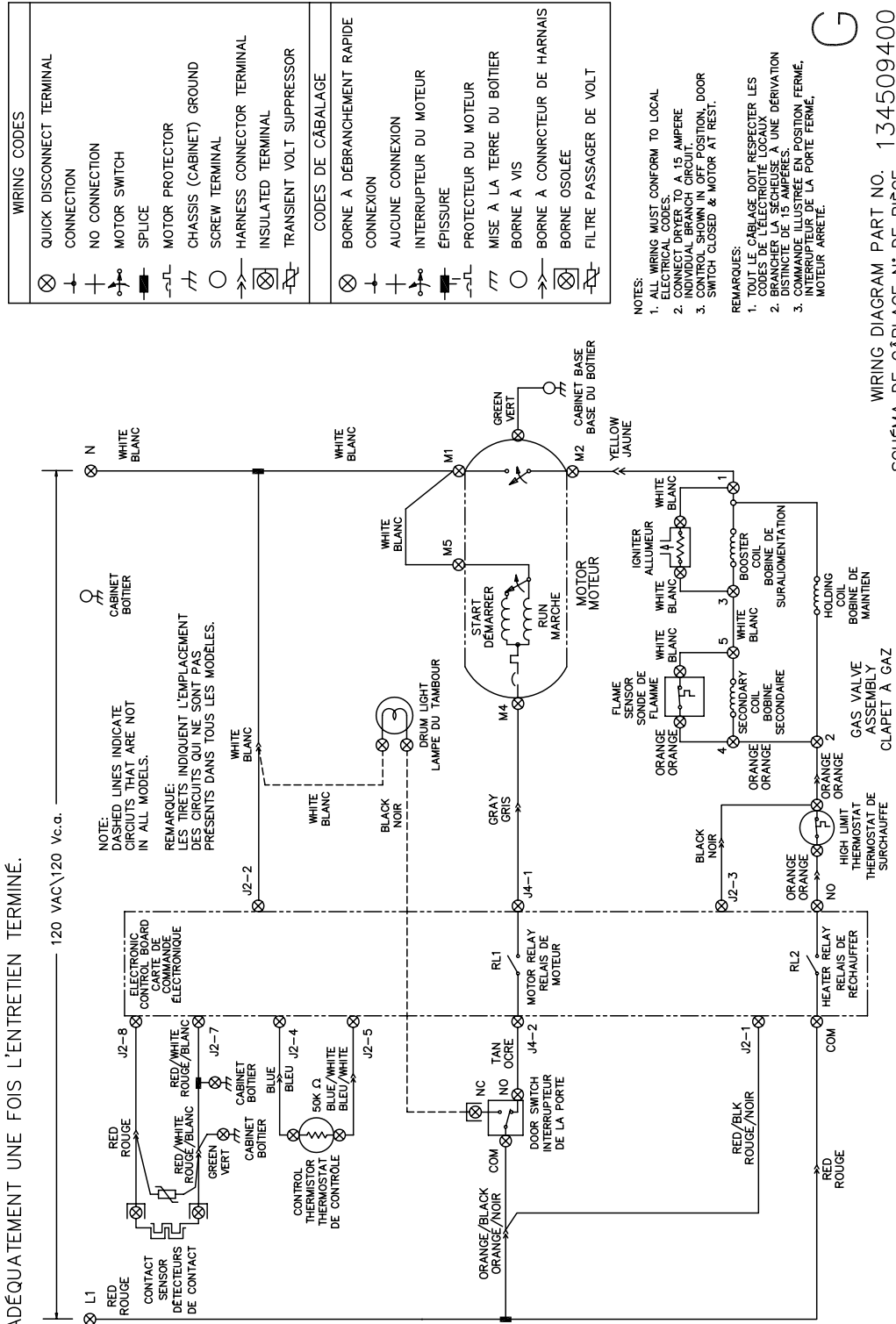
P16B0015

BURNER

POS. NO	PART NO.	DESCRIPTION
2	131168200	Screw, pan head, 8-18B x 0.31
34	131243700	Screw, pan head, 8-18AB x 0.375
55 #	134389600	Wiring Harness, gas valve
61	134122000	Bracket, burner mtg
64	134144900	Pipe, gas, right angle
65	08015112	Cap, pipe
66	134128700	Bushing, coupler
68	134185100	Tail Piece, coupling
69 #	5308015194	Union, hex nut
70 #	5303207409	Valve, gas
71 #	5303307291	Coil, secondary
72 #	5303307292	Coil, booster
73 #	5303207410	Orifice, natural gas, size 44
74 #	134192000	Igniter Assy
77 #	134197700	Burner, gas
79 #	5303281135	Sensor, radiant
80 #	134200801	Tube, burner, riveted
* #	134315100	LP Conversion Kit, natural to LP

WIRING DIAGRAM

! CAUTION: DISCONNECT ELECTRIC CURRENT BEFORE SERVICING. LABEL ALL WIRES PRIOR TO DISCONNECTION WHEN SERVICING CONTROLS. WIRING ERRORS CAN CAUSE IMPROPER AND DANGEROUS OPERATION. VERIFY PROPER OPERATION AFTER SERVICING.
 ! ATTENTION: LORS DES OPÉRATIONS D'ENTRETIEN DES COMMANDES, ÉTIQUETER TOUS LES FILS ANAVT DE LES DÉCONNECTER. TOUTE ERREUR DE CÂBLAGE PEUT ÊTRE UNE SOURCE DE DANGER ET DE PANNE. S'ASSURER QUE L'APPAREIL FONCTIONNE ADÉQUATEMENT UNE FOIS L'ENTRETIEN TERMINÉ.



WIRING DIAGRAM PART NO. 134509400
 SCHEMA DE CÂBLAGE N° DE PIÈCE