

# FRIGIDAIRE

GALLERY.



## Freezer

GLFN1326G W

Manual Defrost  
13 Cu. Ft. Chest



### Product Dimensions

Height (Including Lid)	35"
Width	42-3/4"
Depth	29-1/2"

### More Easy-To-Use Features

#### Bright Lighting

Our bright lighting makes it easy to see what's inside

#### Temp Alarm System

#### Electronic Controls

#### Adjustable Temp Control

#### Defrost Water Drain

#### Lid Handle

ENERGY STAR®



Available in:



White  
(W)

## Signature Features

### SpaceWise® Organization System

Heavy-duty dividers allow you to organize food storage like never before. System includes and accommodates pre-printed storage labels.

### Store-More™ Removable Basket

Convenient lift-out storage for easy access to most small frozen items or items that are most frequently accessed.

### Lock with Pop-Out Key

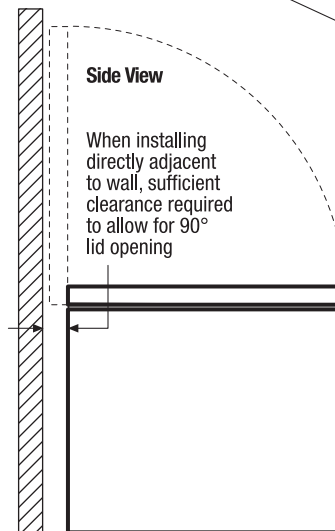
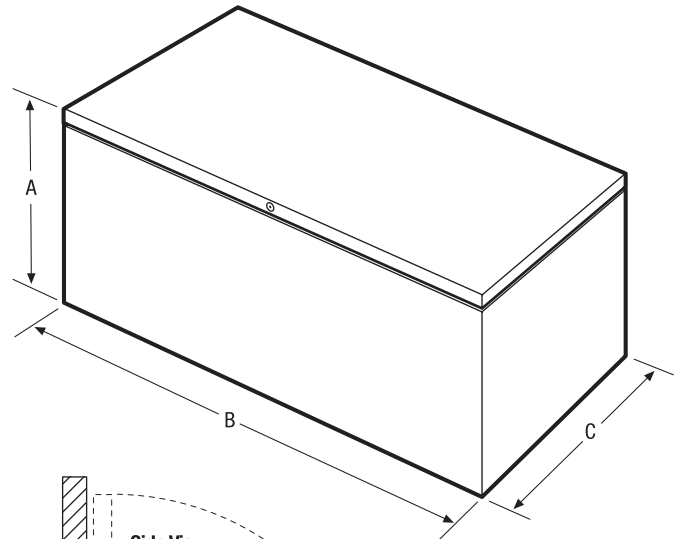
Key is automatically ejected upon locking for maximum security.

### Power-On Indicator Light

Know at a glance that your freezer is working.

Features	
Defrost	Manual
Adjustable Temperature Control	Yes
Interior Lighting	Bright
Store-More™ Removable Baskets	2
Food Organization System	Yes
Defrost Water Drain	Yes
Lid Handle	Yes
Lock with Pop-Out Key	Yes
Temp Alarm System	
Power On Light	Yes
Certifications	
ENERGY STAR®	Yes
CSA Rating	Household
Specifications	
Total Capacity (Cu. Ft.)	12.9
Annual Energy (kWH)	326
Annual Energy Cost (.1065/kWH)	\$35
Power Supply Connection Location	Bottom Rear
Voltage Rating	115V / 60Hz / 5A
Connected Load (kW rating) @ 115 Volts <sup>1</sup>	.6
Amps @ 115 Volts	5
Minimum Circuit Required (Amps)	15
Shipping Weight (Approx.)	151 Lbs.

<sup>1</sup>An electrical supply with grounded three-prong receptacle is required. The power supply circuit must be installed in accordance with current edition of National Electrical Code (NFPA 70) and local codes & ordinances.



NOTE: For planning purposes only. Always consult local and national electric codes. Refer to Product Installation Guide for detailed installation instructions on the web at [frigidaire.com](http://frigidaire.com).



Product Dimensions	
A - Height (Including Lid)	35"
B - Width	42-3/4"
C - Depth	29-1/2"
D - Height with Lid Open 90°	60-13/16"

Accessories information available on the web at [frigidaire.com](http://frigidaire.com)

**FRIGIDAIRE**

USA • 10200 David Taylor Drive • Charlotte, NC 28262 • 1-800-FRIGIDAIRE • [frigidaire.com](http://frigidaire.com)  
CANADA • 5855 Terry Fox Way • Mississauga, ON L5V 3E4 • 1-800-265-8352 • [frigidaire.ca](http://frigidaire.ca)

GLFN1326G 09/10

© 2010 Electrolux Home Products, Inc.

Specifications subject to change.  
Printed in the U.S.A.