

Frigidaire

Factory Parts Catalog

Product No.	GLEQ2152EE0
Series	Frigidaire
Market	North America
Color	black
Volts	240
Wiring Diagram	134509400
Owner's Guide	134763300
Installation Instructions	134763200
Operating Instructions	134431300

 **Electrolux**

Electrolux Major Appliances
North & Latin America
P.O. BOX 212378
AUGUSTA, GA 30917

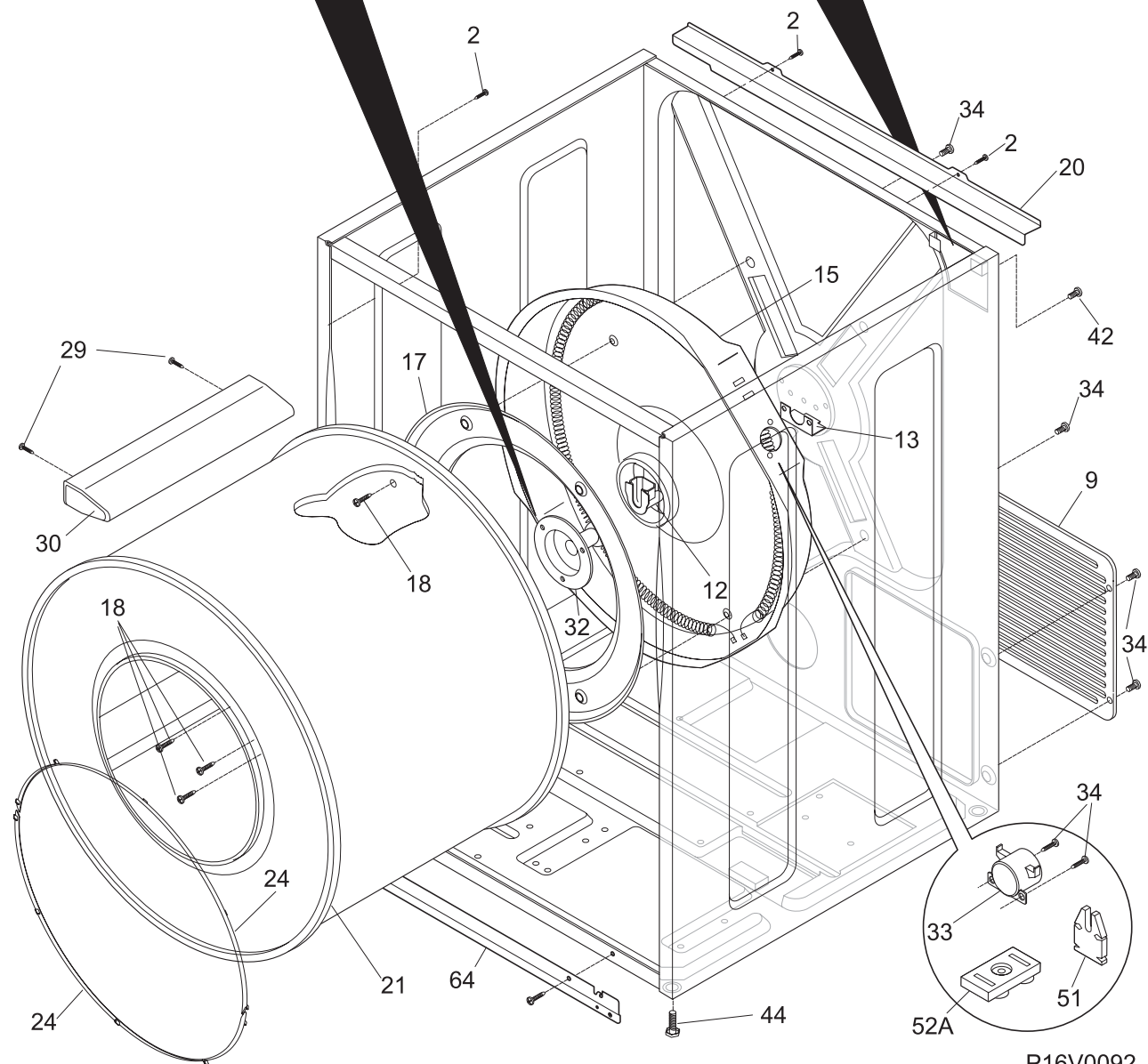
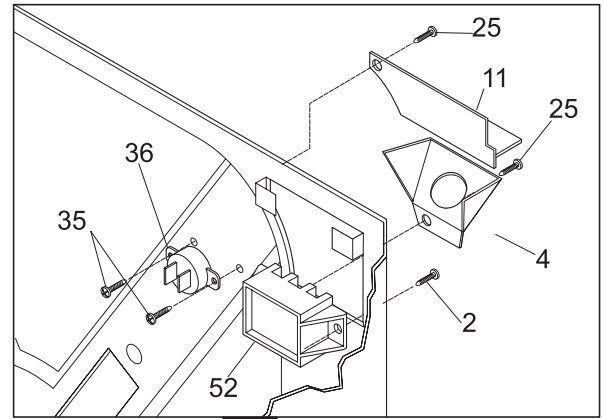
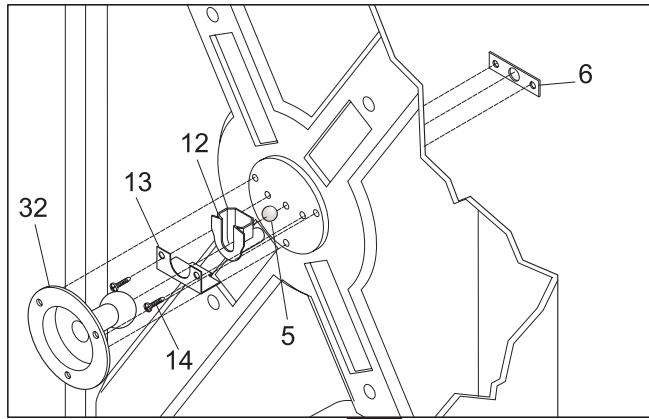
Publication No.
5995469268
06/06/30
(EN/SERVICE/KC)
361

ELECTRIC DRYER

Model No.
GLEQ2152E

Copyright © 2006 Electrolux Home Products, Inc.
All rights reserved.

CABINET/DRUM



P16V0092

CABINET/DRUM

POS. NO	PART NO.	DESCRIPTION
2	131168200	Screw, pan head, 8-18B x 0.31
4	131785200	Bracket, elec power cord, knock out
5	5303281019	Ball, grounding
6	5303281020	Clip, ball, steel, flat nut
9	131793200	Panel, service access, rear
11	5303211428	Cover, terminal block
12	131825900	Bearing, drum support
13	131724300	Bracket, bearing support
14	131205400	Screw, bracket mtg., 10-16B x 1.375, cr/sq drive
15 #	131553900	Heater Assy, w/housing/felt
17	3204254	Baffle, heater shield
18	131477000	Screw, 10-16AB x 0.375
20	134166500	Bracket, top panel mtg., rear
21	134122592	Drum, dryer, stnls stl back, painted wrap, service kit
24	131963900	Glide, drum
25	5303015671	Screw, hex washer head, 8-18 x 0.375, cup point
29	131382300	Screw, quadrex head, 10-14 x 1.00, vane mtg., special
30	5303201200	Vane, straight
32	131777700	Shaft, drum support, ballhitch
32*	5303307893	Lubricant, high temp
33 #	3204267	Thermostat, safety
34	131243700	Screw, pan head, 8-18AB x 0.375
35	131892100	Screw, 6-20B x 0.230
36 #	134120900	Thermal Limiter
42	134154100	Screw, hex washer head, 10-32 x 0.375, ground
44	134344900	Leveling Leg, screw
51	131472100	Insulator, heater housing
52 #	134101400	Terminal Block, main
* #	134394200	Wiring Harness, main
52A#	3202786	Terminal Block, heater housing
64	134360100	Bracket, svce panel mtg.
* #	5303281153	Rear Bearing Kit, includes 5, 6, 12, 13, 14, 18, 32
*	134467360	Stacking Kit, washer/dryer

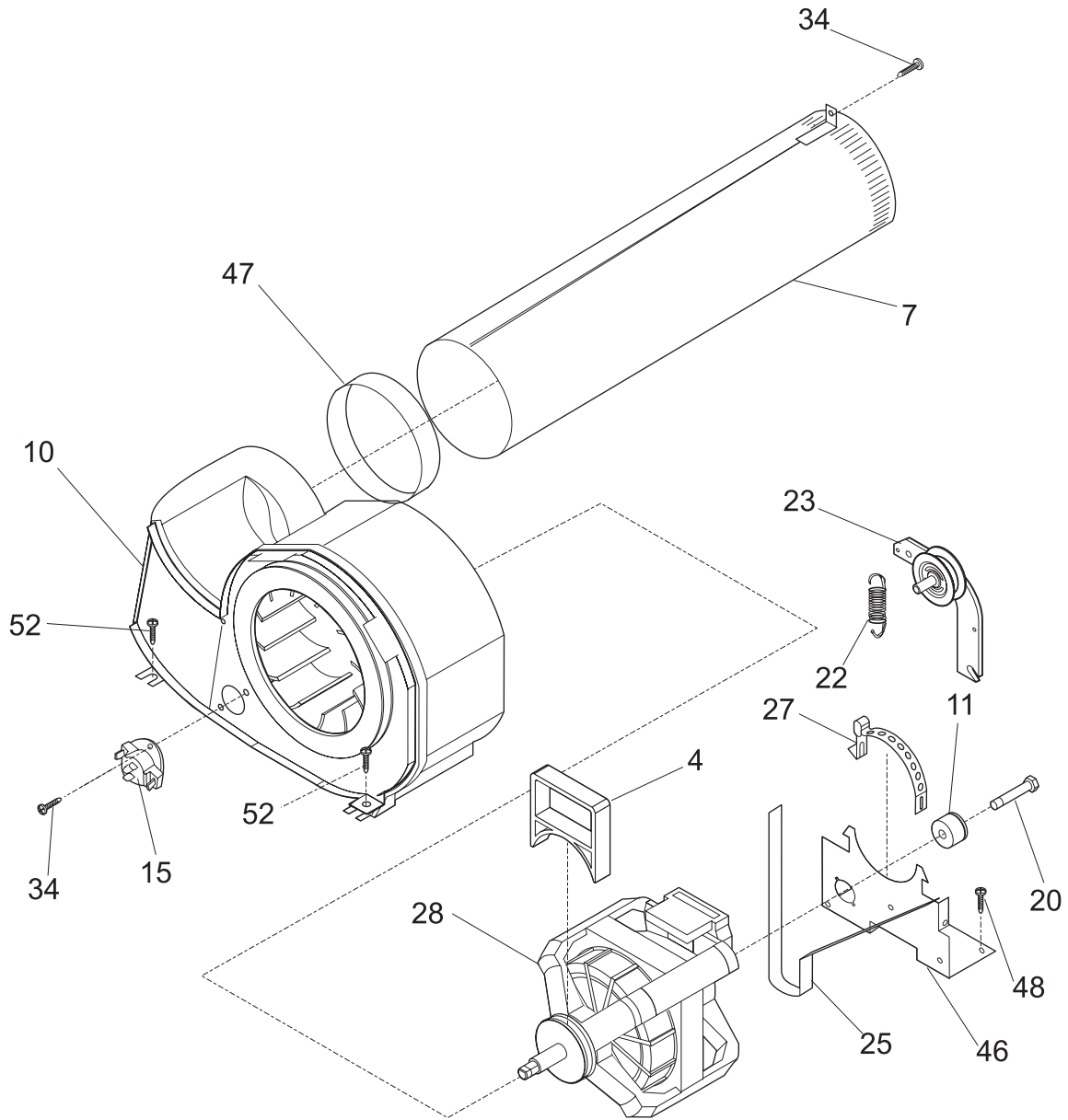
FRONT PANEL/LINT FILTER

POS. NO	PART NO.	DESCRIPTION
1	134417000	Seal, air duct
2	131168200	Screw, pan head, 8-18B x 0.31
6	134382900	Duct, air
8 #	131845845	Cover, lint housing, w/moist sensor
9	131633260	Plug, black
16	134440100	Clip, U-nut
17	134408700	Clip, assembly
18	134321760	Panel, front service, black
20	134440200	Seal, felt, upper
20*	5308027429	• Adhesive, high temp
21	134134700	Seal, felt, lower
22	134397360	Panel, front, black, w/lamp hole
23	134430300	Screw, indt pan head, 10-14 x 0.625, quadrex
24	134465160	Plug, handle hole, black
25	131658845	Door Catch, gray, upper
25	134548045	Latch, door, gray, lower
26 #	131843101	Switch, door, with drum light
27	131450345	Trap, lint blade assy, gray
28	134440000	Clip, guide
39	131205100	Screw, #8 pan head, 10-10B x 0.500, cr/sq drive
41	134412460	Hinge, door, black
42	134156200	Screw, flat head, 8-18AB x 0.44, quad drive
44	134413345	Gasket, door seal, gray
46	134472202	Handle, door
47	134412360	Panel, inner door, black
47*	134560500	Spacer, door
48	134412160	Panel, outer door, black
49	134548100	Door Strike
50	131303300	Screw, pan head, 10-16AB x 0.500, locking
52	134529600	Screw, indt pan head, 8-18AB x 0.375
53	134443202	Adapter, door glass ring
54	134611800	Glass, inner door
55	134580300	Gasket, door glass, inner
58 #	131843500	Lamp Assy, drum light, w/mtg bracket
58*#	131862800	• Lamp

CONTROLS/TOP PANEL

POS. NO	PART NO.	DESCRIPTION
1 #	134523200	Control Board, printed circuit, with housing
3	134471560	Knob, program
4	134347700	Pin, program knob
7	134429100	Light Pipe, array, 1 row of 5
8	134429200	Light Pipe, array, 2 row of 4
9	134429400	Light Pipe, array, 4 start group
10	134447160	Push Button, #1
11	134447201	Push Button, #2
12	134447301	Push Button, #3
13	134349400	Spring, push button
19	134402900	Screw, phillips, 6-19 x 0.650
23 #	134394400	Wiring Harness, controls
23*#	134394200	Wiring Harness, main
29	134759100	Panel, control console, black
31	134758700	Bezel, knob flange
39	134178901	Screw, 8-18AB x 0.455
53	134365060	Panel, work top, black
55	134429000	Lens, digital display
56	134503400	Light Pipe, digital display
57 #	134503300	Display, digital

MOTOR



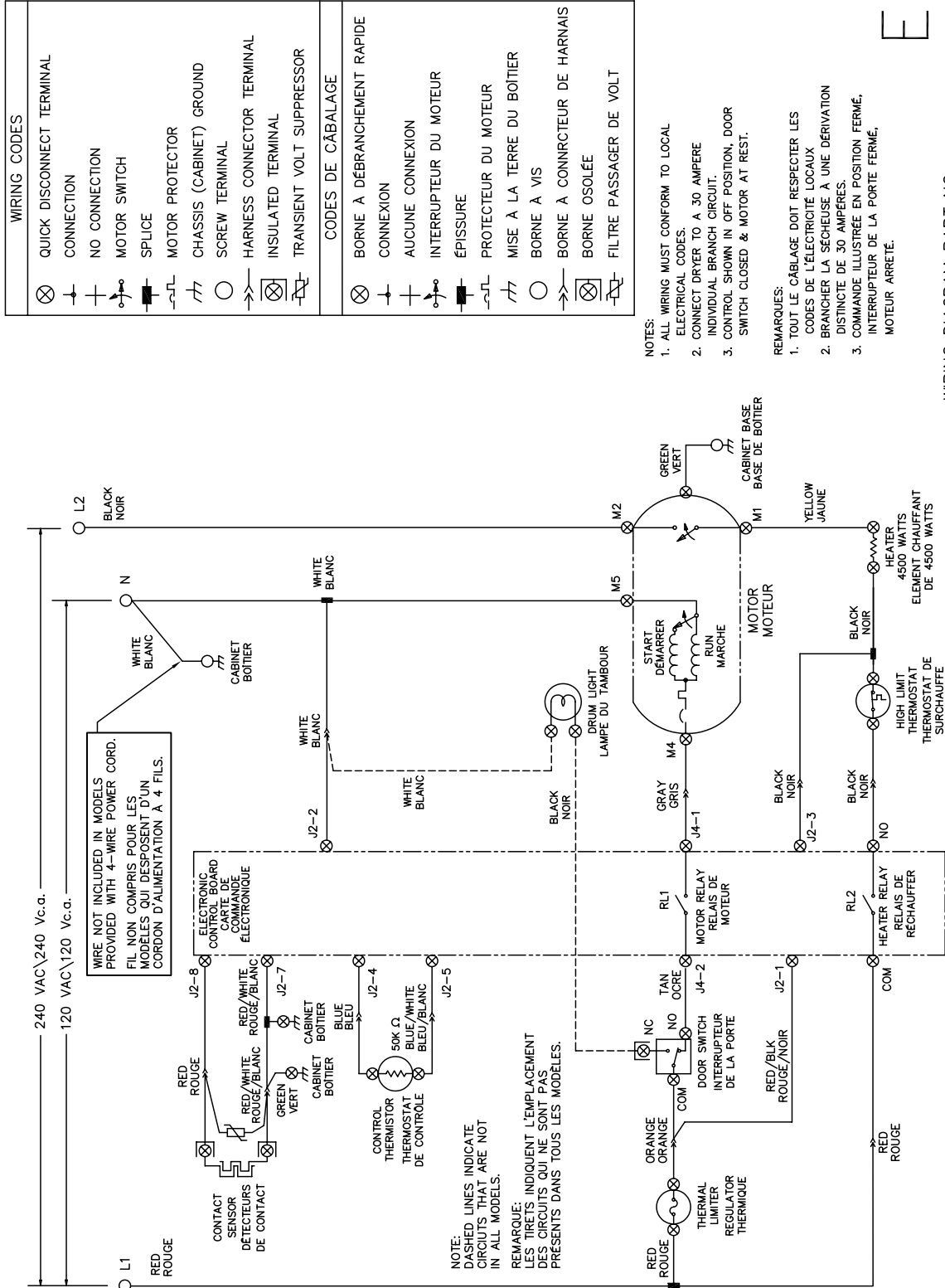
P16M0024

MOTOR

POS. NO	PART NO.	DESCRIPTION
4	131435200	Lock, blower housing
7	131451600	Tube, exhaust, rear, w/mtg bracket
7*	131456800	Tube, exhaust, side/bottom, Optional Kit
10 #	131775600	Blower Assy, housing, w/cover & wheel
11	131749800	Spacer, idler
15 #	134587700	Thermistor, control
20	131017900	Screw, hex head, 1/4-20T x 1.25, spacer mtg., thread cutting
22	131601000	Spring, idler arm
23 #	131863007	Idler Arm Assy, w/pulley
25 #	134503600	Belt, dryer
27	134242400	Clamp, motor mtg.
28 #	131560100	Motor & Pulley Assy
34	131243700	Screw, pan head, 8-18AB x 0.375
46	134203400	Bracket, motor mtg
47	131633300	Seal, exhaust tube
48	131168200	Screw, pan head, 8-18B x 0.31
52	131202300	Screw, 10-16AB x 0.625

WIRING DIAGRAM

MISE EN GARDE: METTRE HORS TENSION AVANT D'EFFECTUER TOUTE MESURE D'ENTRETIEN.



WIRING CODES	
⊗	QUICK DISCONNECT TERMINAL CONNECTION
+	NO CONNECTION
+	MOTOR SWITCH
⊕	SPLICE
⊕	MOTOR PROTECTOR
⊕	CHASSIS (CABINET) GROUND SCREW TERMINAL
⊕	HARNESS CONNECTOR TERMINAL
⊕	INSULATED TERMINAL
⊕	TRANSIENT VOLT SUPPRESSOR
CODES DE CÂBLAGE	
⊗	BORNE À DÉBRANCHEMENT RAPIDE
+	CONNEXION
+	AUCUNE CONNEXION
⊕	INTERRUPTEUR DU MOTEUR
⊕	ÉPISURE
⊕	PROTECTEUR DU MOTEUR
⊕	MISE À LA TERRE DU BOÎTIER
⊕	BORNE À VIS
⊕	BORNE À CONNEXION DE HARNAIS
⊕	BORNE OSOLÉE
⊕	FILTRE PASSAGER DE VOLT

- NOTES:
1. ALL WIRING MUST CONFORM TO LOCAL ELECTRICAL CODES.
 2. CONNECT DRYER TO A 30 AMPERE INDIVIDUAL BRANCH CIRCUIT.
 3. CONTROL SHOWN IN OFF POSITION, DOOR SWITCH CLOSED & MOTOR AT REST.
- REMARQUES:
1. TOUT LE CÂBLAGE DOIT RESPECTER LES CODES DE L'ÉLECTRICITÉ LOCAUX
 2. BRANCHER LA SÈCHEUSE À UNE DÉRIVATION DISTINCTE DE 30 AMPÈRES.
 3. COMMANDE ILLUSTRÉE EN POSITION FERMÉ, INTERRUPTEUR DE LA PORTE FERMÉ, MOTEUR ARRÊTÉ.

WIRING DIAGRAM PART NO. 134509400
SCHEMA DE CÂBLAGE N° DE PIÈCE