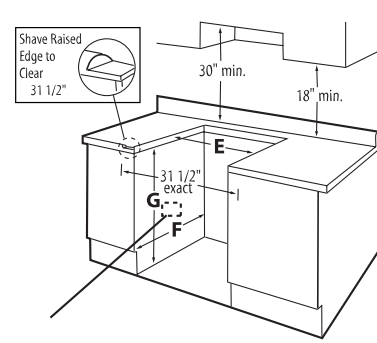
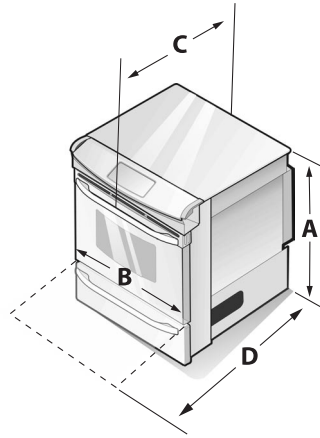


i n s t a l l a t i o n

ELECTRIC SLIDE-IN DIMENSION

	Backguard Kit (1 adj.)	Side Panel Kit (2 Panels)	Slide-in Filler Kit	Side Trim Kit Elec. Dual Fuel & Slide-In Ranges Only	Side Trim Kit Elec. Drop-In Ranges Only
White	903046-9011	903044-9011	81-2020-00	903045-9011	903045-9101
Black	903046-9010	903044-9010	81-2020-18	903045-9010	903045-9100
Bisque	903046-9014	903044-9014	81-2020-40	903045-9014	903045-9104



EXTERIOR DIMENSIONS

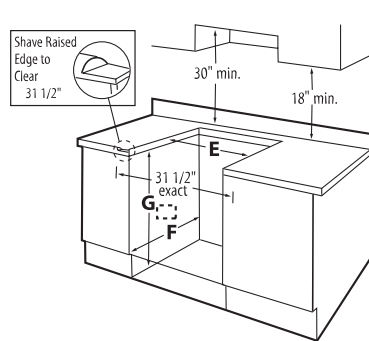
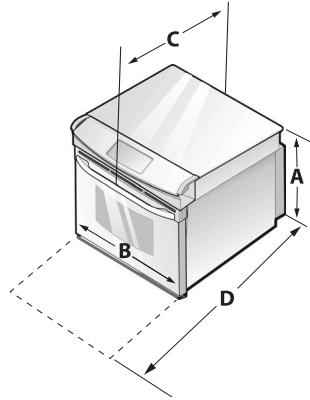
CUT-OUT DIMENSIONS

	A. HEIGHT	B. WIDTH	C. DEPTH	D. DEPTH WITH DOOR OPEN	E. WIDTH	F. DEPTH	G. HEIGHT
SLIDE-IN RANGES	35 3/8 - 36 3/8	30	27 7/8 * 28 5/16**	44 7/8	30	21 3/4	36" Standard 35 3/8 min.

* Depth to Front Panel ** Depth to Extreme Protrusion

THE DIMENSION AND CUTOUT INFORMATION IS FOR PLANNING PURPOSES ONLY. CONSULT INSTALLATION INSTRUCTIONS PACKED WITH INDIVIDUAL PRODUCTS FOR COMPLETE DETAILS.

ELECTRIC DROP-IN DIMENSION



EXTERIOR DIMENSIONS

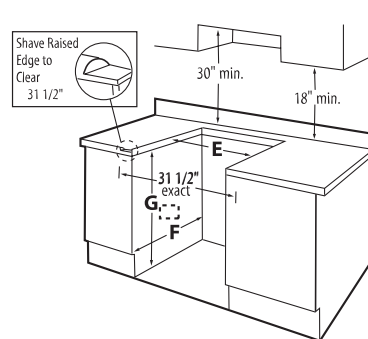
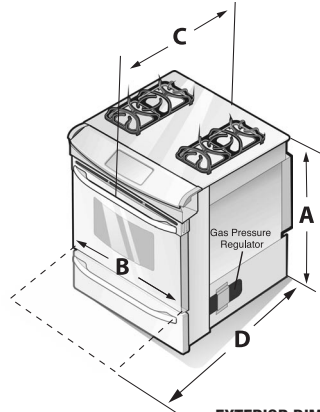
CUT-OUT DIMENSIONS

	A. HEIGHT	B. WIDTH	C. DEPTH	D. DEPTH WITH DOOR OPEN	E. WIDTH	F. DEPTH	G. HEIGHT
DROP-IN RANGES	29 3/8	30	27 7/8 * 28 5/16**	44 7/8	30	21 3/4	29

* Depth to Front Panel ** Depth to Extreme Protrusion

THE DIMENSION AND CUTOUT INFORMATION IS FOR PLANNING PURPOSES ONLY. CONSULT INSTALLATION INSTRUCTIONS PACKED WITH INDIVIDUAL PRODUCTS FOR COMPLETE DETAILS.

DUAL FUEL SLIDE-IN DIMENSIONS



EXTERIOR DIMENSIONS

CUT-OUT DIMENSIONS

	A. HEIGHT	B. WIDTH	C. DEPTH	D. DEPTH WITH DOOR OPEN	E. WIDTH	F. DEPTH	G. HEIGHT
DUAL FUEL SLIDE-IN RANGES	35 3/8 - 36 3/8	30	27 7/8 * 28 5/16**	44 7/8	30	21 3/4	36" Standard 35 3/8 min.

* Depth to Front Panel ** Depth to Extreme Protrusion

THE DIMENSION AND CUTOUT INFORMATION IS FOR PLANNING PURPOSES ONLY. CONSULT INSTALLATION INSTRUCTIONS PACKED WITH INDIVIDUAL PRODUCTS FOR COMPLETE DETAILS.