

GLDT690D/GLDT696D

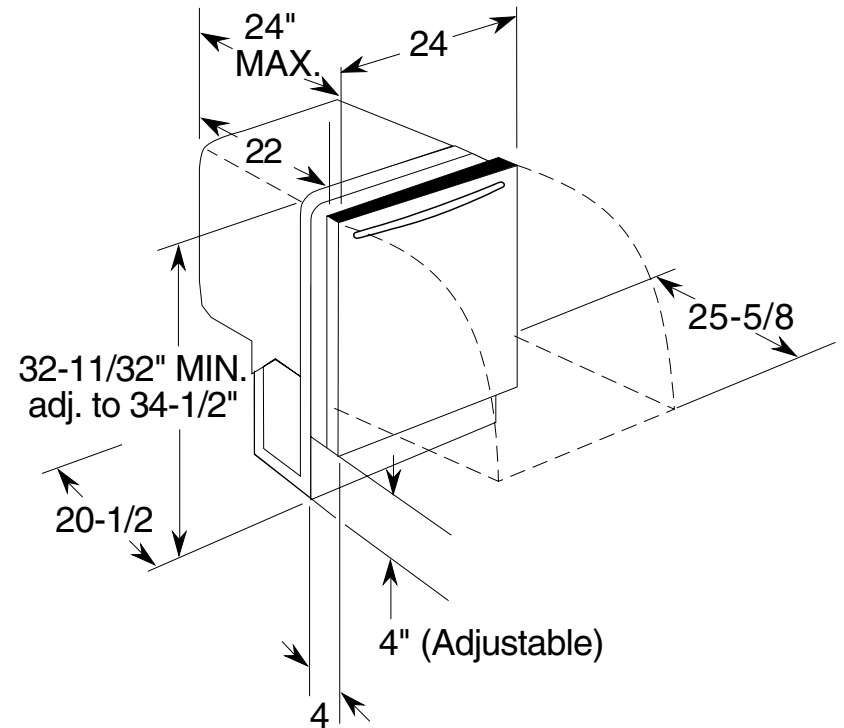
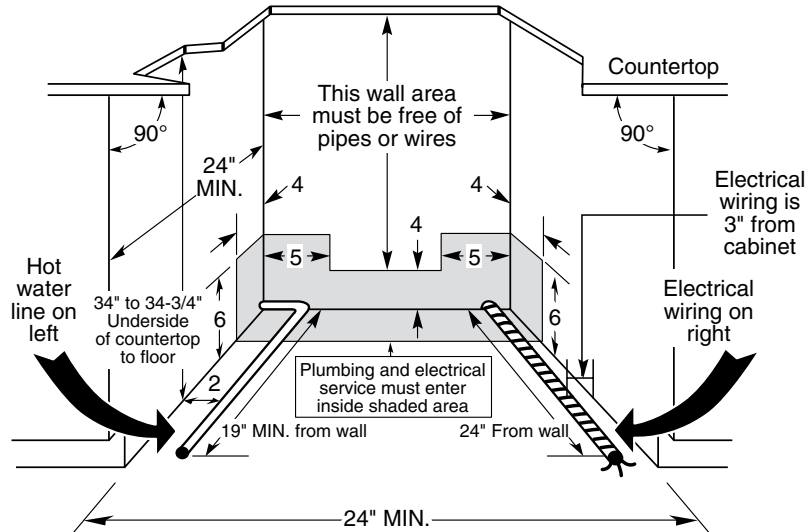
GE® Built-In Dishwasher with Hidden Controls

Dimensions and Installation Information (in inches)

Electrical Rating

Voltage AC.....	120
Hertz.....	60
Total connected load amperage.....	10
Calrod® heater watts max.....	875

For use on adequately wired 120-volt, 15-amp circuit having 2-wire service with a separate ground wire. This appliance must be grounded for safe operation.



For answers to your Monogram®, GE Profile™ or GE® appliance questions, visit our website at geappliances.com or call GE Answer Center® service, 800.626.2000.



Listed by Underwriters Laboratories



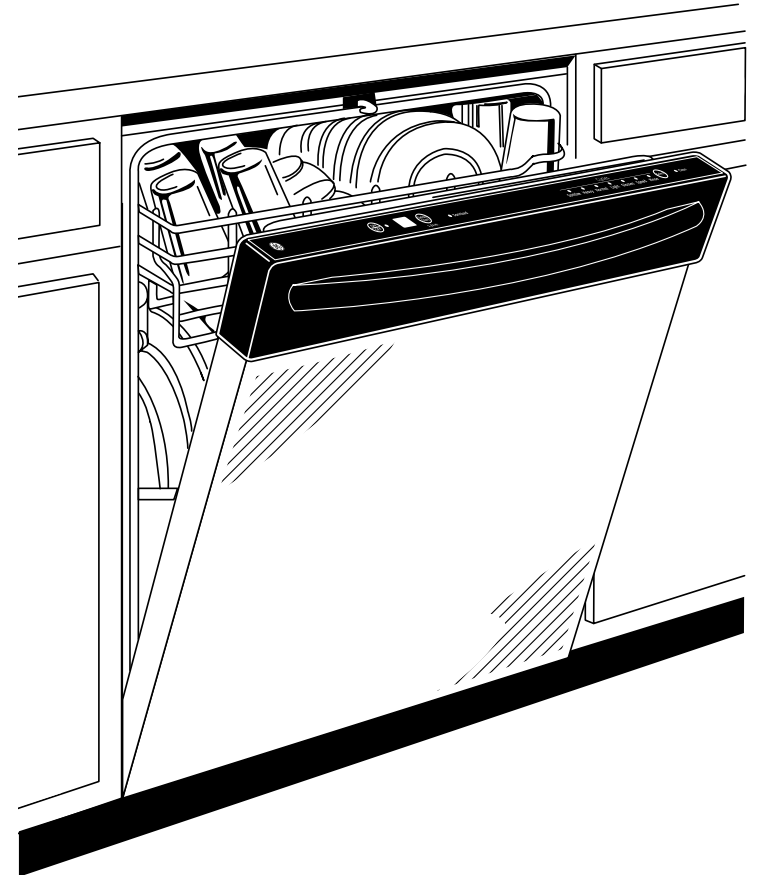
As an ENERGY STAR® partner, GE has determined that this product meets the ENERGY STAR guidelines for energy efficiency.

GLDT690D/GLDT696D

GE® Built-In Dishwasher with Hidden Controls

Features and Benefits

- Bright annealed stainless steel interior - Attractive interior provides long-lasting durability
- Low profile installation capable - Great for raised sub-floors and 34" countertop heights
- Gray nylon racks - Long-lasting, durable racks resist rusting, chipping and peeling
- Two utility shelves in upper rack with StemSafe™ - Conveniently flip down to handle tall items and protect stemware
- 2-digit countdown display with 1-24 hour Delay Start - Wash dishes at your convenience and monitor the progress
- Audible end-of-cycle signal - Alert signals when cycle is complete
- 5 wash levels - Eliminates the central wash tower to accommodate more items
- ADA-compliant - Dishwasher design allows for simple operation and easy access
- ENERGY STAR® qualified - Meets or exceeds federal guidelines for energy efficiency for year-round energy and money savings
- Model GLDT690DWW - White on white
- Model GLDT690DBB - Black on black
- Model GLDT696DSS - Stainless steel (shown)



imagination at work



As an ENERGY STAR® partner, GE has determined that this product meets the ENERGY STAR guidelines for energy efficiency.