

GLD6906/66R

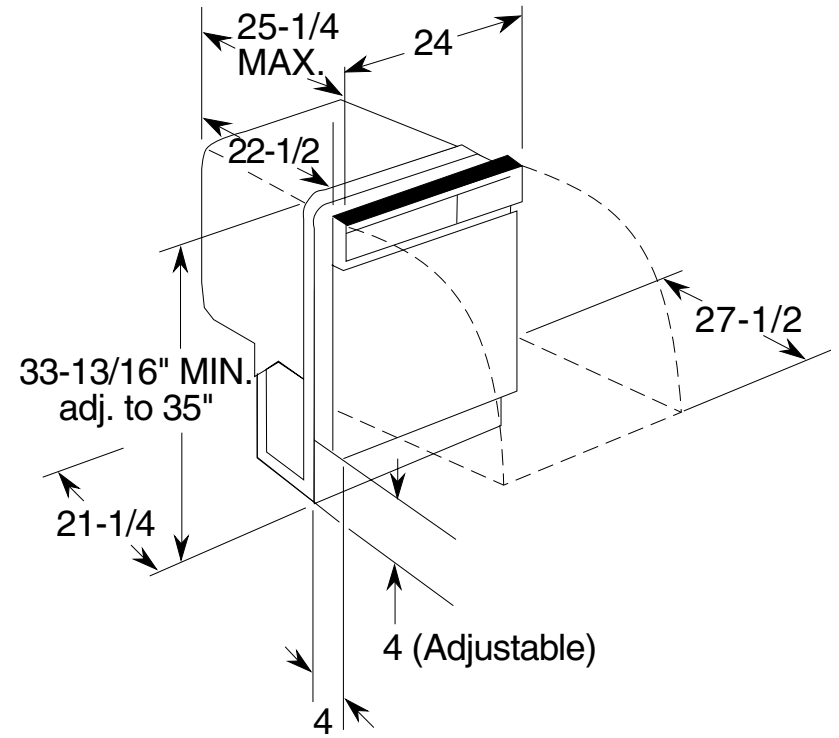
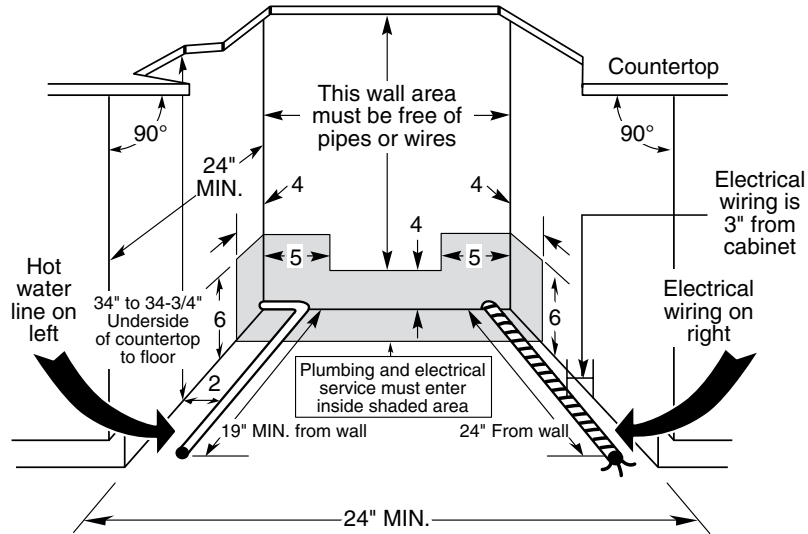
GE® Tall Tub Built-In Dishwasher

Dimensions and Installation Information (in inches)

Electrical Rating

Voltage AC.....	120
Hertz.....	60
Total connected load amperage.....	10
Calrod® heater watts max.....	875

For use on adequately wired 120-volt, 15-amp circuit having 2-wire service with a separate ground wire. This appliance must be grounded for safe operation.



For answers to your Monogram®, GE Profile™ or GE® appliance questions, visit our website at ge.com or call GE Answer Center® service, 800.626.2000.



Listed by
Underwriters
Laboratories



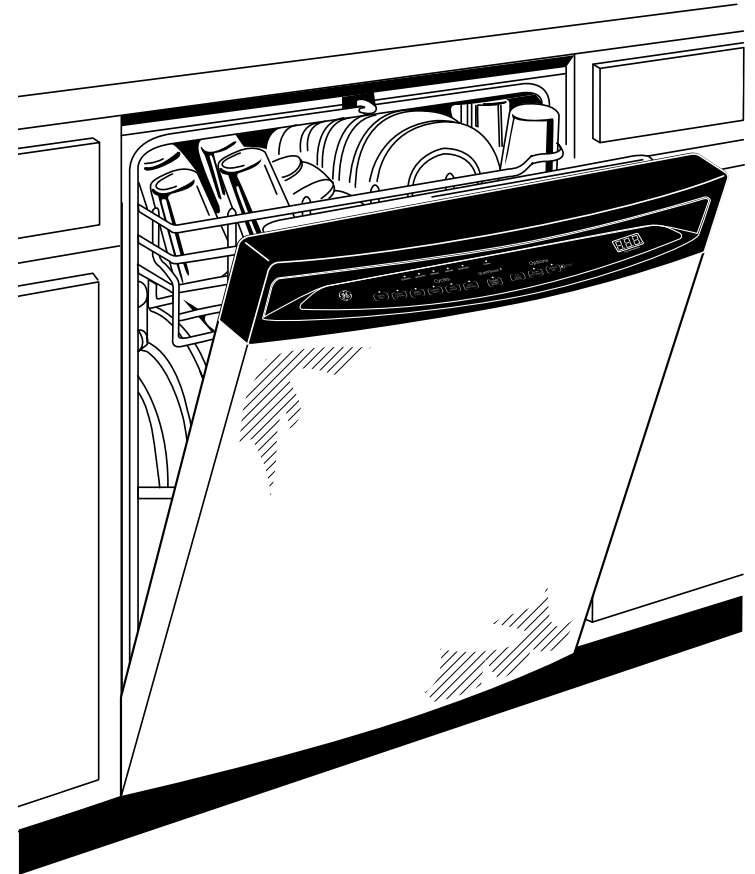
As an ENERGY STAR® partner, GE has determined that this product meets the ENERGY STAR guidelines for energy efficiency.

GLD6906/66R

GE® Tall Tub Built-In Dishwasher

Features and Benefits

- PureClean wash system with 5-stage filtration - Multiple filtration levels ensure that soils are nowhere near clean dishware
- ENERGY STAR® Qualified - Meets or exceeds federal guidelines for energy efficiency for year-round energy and money savings
- SmartDispense™ technology - Holds up to 47 oz of detergent and dispenses it at just the right time
- Steam Prewash option - Steam helps to loosen tough soils before any cycle
- Electronic controls with 4 cycles/5 options - Modern controls make it easy to program the dishwasher
- Deep-tiered white titanium upper rack - Durable racks are designed to resist rust and secure dishes
- QuietPower™57 sound package - 57 dBA - Advanced materials reduce the sound level to just 57 dBA
- CleanSensor - monitors and adjusts cycles to ensure dishes get clean
- Model GLD6966RSS – Stainless steel (shown)
- Model GLD6906RWW – White on white
- Model GLD6906RCC – Bisque on bisque
- Model GLD6906RBB – Black on black



imagination at work



As an ENERGY STAR® partner, GE has determined that this product meets the ENERGY STAR guidelines for energy efficiency.