

# GLD5600/60V

## GE® Tall Tub Built-In Dishwasher

### Dimensions and Installation Information (in inches)

#### Electrical Rating

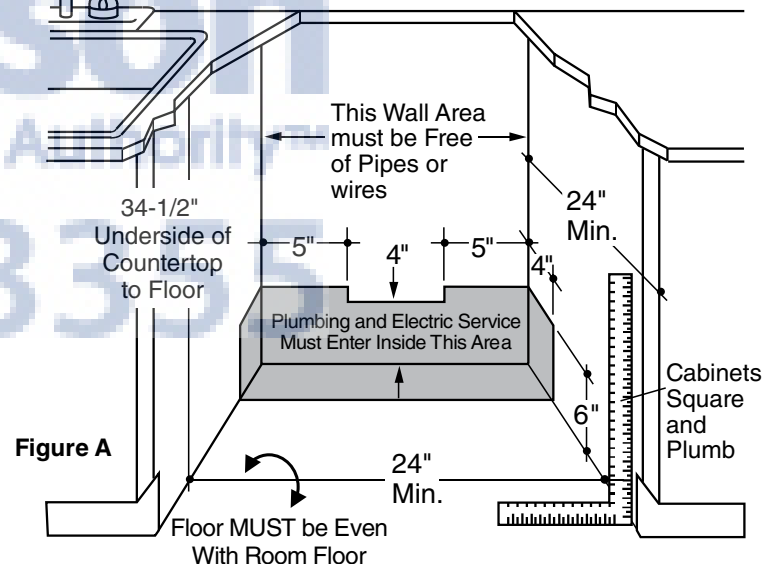
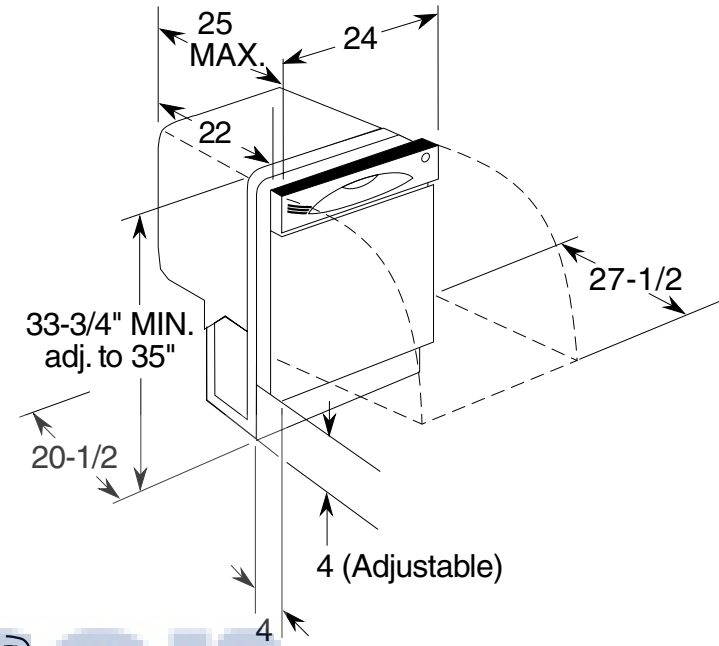
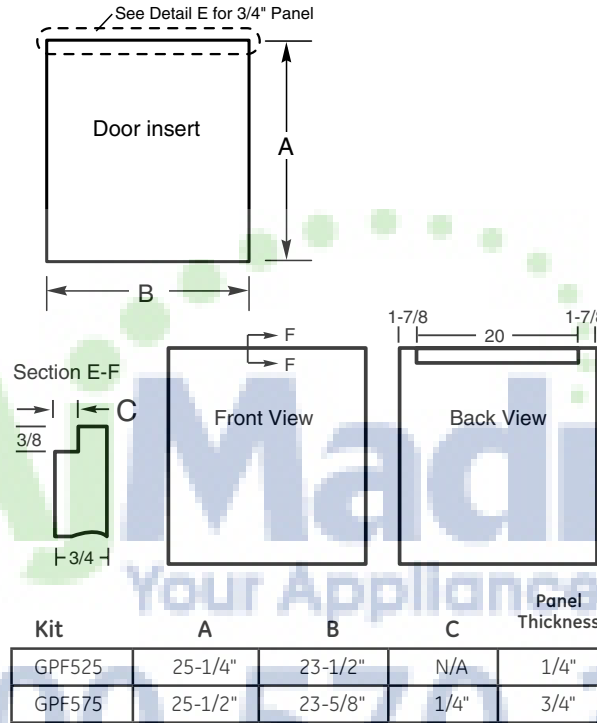
|                                    |     |
|------------------------------------|-----|
| Voltage AC.....                    | 120 |
| Hertz.....                         | 60  |
| Total connected load amperage..... | 10  |
| Calrod® heater watts max.....      | 875 |

For use on adequately wired 120-volt, 15-amp circuit having 2-wire service with a separate ground wire. This appliance must be grounded for safe operation.

**Note:** The rough cabinet opening must be at least 24" deep, 24" wide and approximately 34-1/2" high from floor to underside of the countertop. Dishwasher must not be installed more than 10 feet from sink for proper drainage. All plumbing and electrical work must be in accordance with local codes. The power cord and connections must comply with the National Electrical Code Section 422 and/or local codes and ordinances. The cord must be no longer than 6 ft. from the junction box to the receptacle.

**Installation Information:** Before installing, consult installation instructions packed with product for current dimensional data.

For answers to your Monogram®, GE Profile™ or GE® appliance questions, visit our website at [geappliances.com](http://geappliances.com) or call GE Answer Center® service, 800.626.2000.

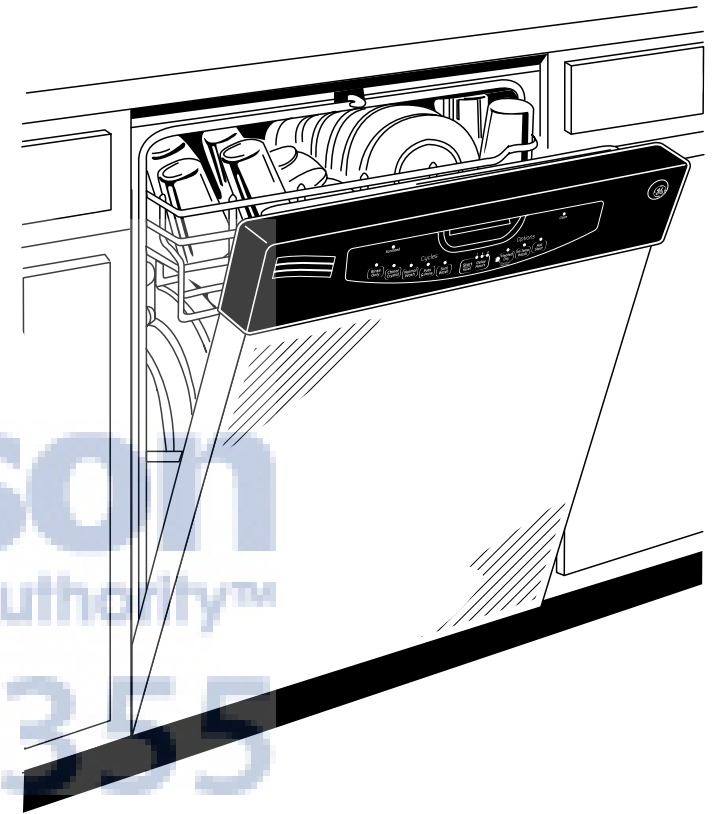


# GLD5600/60V

## GE® Tall Tub Built-In Dishwasher

### Features and Benefits

- 5-stage filtration with Piranha™ hard food disposer - 5 self-cleaning filters ensure clean dishes
- Dedicated silverware jets - Highly pressurized spray jets target the silverware area for improved cleaning
- CleanSensor™ - A highly sensitive laser continually monitors the soil level and temperature in every cycle, adjusting water and cycle times as needed for the optimal cleaning results
- Natural convection heated dry option - A drying element effectively dries dishes reducing the need to towel dry after unloading
- 57 dBA with status light on door - A dishwasher this quiet has a multi-colored status light to let you know it is running
- Two-pump system - One small pump for washing/rinsing and one small pump to remove soils provide excellent wash performance with reduced sound
- ENERGY STAR® qualified and CEE Tier II rated - Meets or exceeds federal guidelines for energy efficiency for year-round energy and money savings
- PVC Titanium deep-tiered rack - Provide loading flexibility for tall items
- 5 cycles/5 options - Allows you to select the combination that best fits your dish load
- SaniWash cycle (NSF residential) - High temperature rinse sanitizes and reduces 99.999% of bacteria found on dishes
- China/ Crystal cycle - Lower temperatures are ideal for china and delicate dishware
- Model GLD5600VWW - White on white
- Model GLD5600VCC - Bisque on bisque
- Model GLD5600VBB - Black on black
- Model GLD5660VSS - Stainless steel



imagination at work