

# GLD2800/50V

## GE® Tall Tub Built-In Dishwasher

### Dimensions and Installation Information (in inches)

#### Electrical Rating

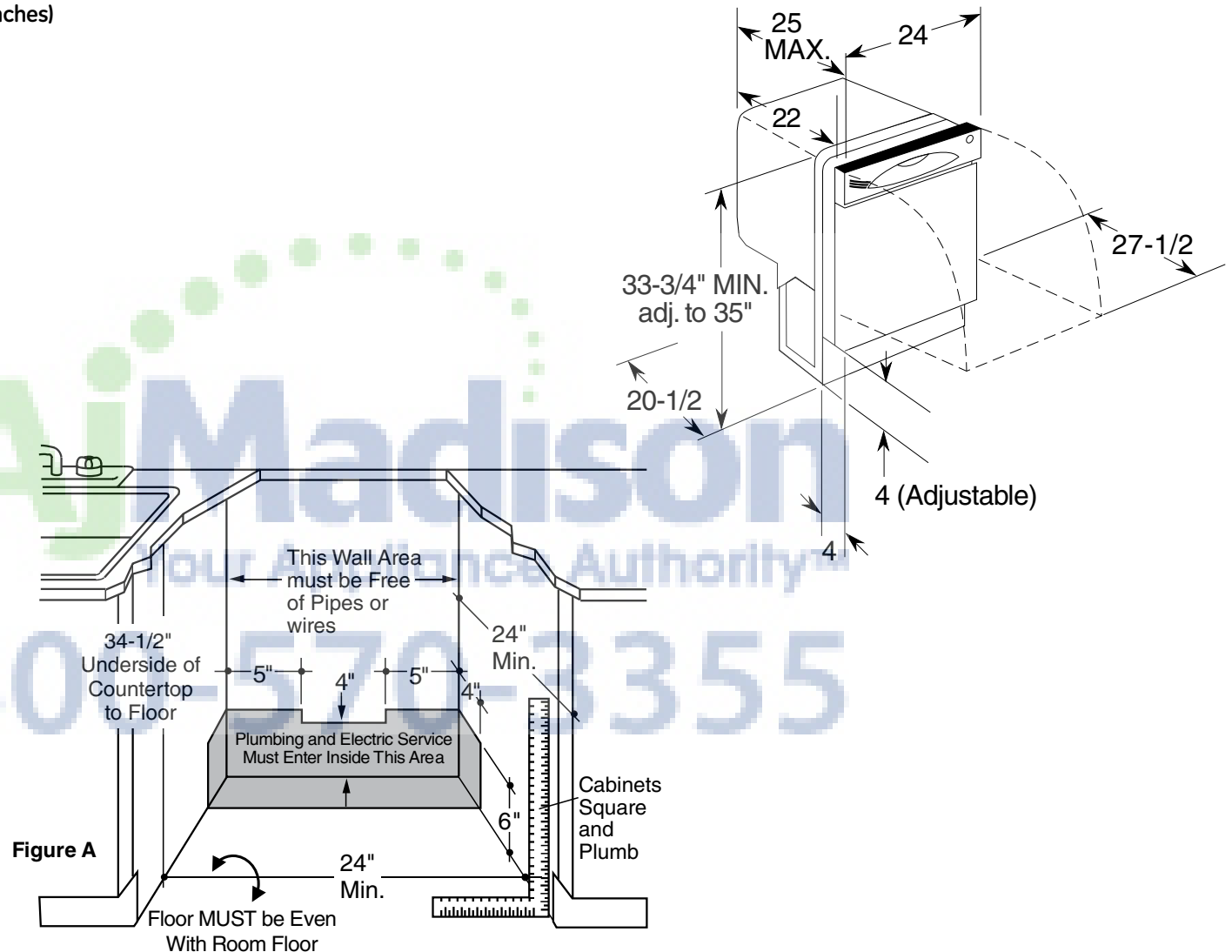
Voltage AC.....	120
Hertz.....	60
Total connected load amperage.....	10
Calrod® heater watts max.....	875

For use on adequately wired 120-volt, 15-amp circuit having 2-wire service with a separate ground wire. This appliance must be grounded for safe operation.

**Note:** The rough cabinet opening must be at least 24" deep, 24" wide and approximately 34-1/2" high from floor to underside of the countertop. Dishwasher must not be installed more than 10 feet from sink for proper drainage. All plumbing and electrical work must be in accordance with local codes. The power cord and connections must comply with the National Electrical Code Section 422 and/or local codes and ordinances. The cord must be no longer than 6 ft. from the junction box to the receptacle.

**Installation Information:** Before installing, consult installation instructions packed with product for current dimensional data.

For answers to your Monogram®, GE Profile™ or GE® appliance questions, visit our website at [geappliances.com](http://geappliances.com) or call GE Answer Center® service, 800.626.2000.



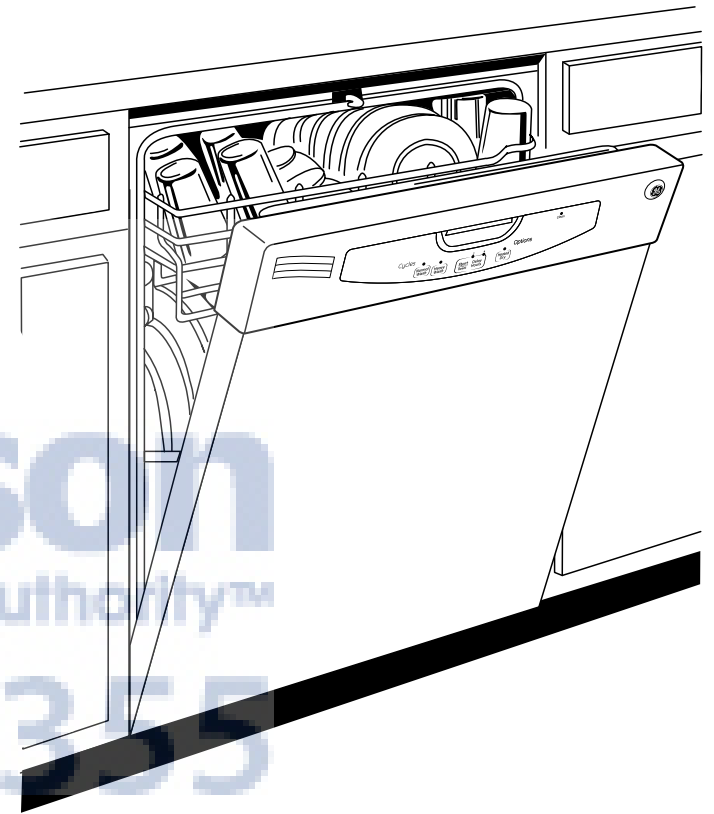
As an ENERGY STAR® partner, GE has determined that this product meets the ENERGY STAR guidelines for energy efficiency.

# GLD2800/50V

## GE® Tall Tub Built-In Dishwasher

### Features and Benefits

- 5-stage filtration with Piranha™ hard food disposer - 5 self-cleaning filters ensure clean dishes
- Dedicated silverware jets - Highly pressurized spray jets target the silverware area for improved cleaning
- 4-level towerless wash system - 2 wash arms with 4 wash levels quietly direct water onto dishes for a powerful clean
- CleanSensor™ - A highly sensitive laser continually monitors the soil level and temperature in every cycle, adjusting water and cycle times as needed for the optimal cleaning results
- Natural convection heated dry option - A drying element effectively dries dishes reducing the need to towel dry after unloading
- 59 dBA sound level - 2 pump system minimizes sound
- ENERGY STAR® qualified and CEE Tier II rated - Meets or exceeds federal guidelines for energy efficiency for year-round energy and money savings
- Up to 12 place setting capacity white titanium racking - Provides flexibility to wash a variety of dishes at once and tall items in the lower rack with ease
- Deluxe silverware basket - Provides convenient space and capacity to clean silverware efficiently
- Heavy wash - Great for heavily soiled dishes and cookware
- Audible end-of-cycle signal - The dishwasher makes a sound to tell you when the load is complete and dishes are ready to unload
- 2/4-hour Delay Start - Wash dishes at your convenience
- Model GLD2800VBB - Black
- Model GLD2800VWW - White
- Model GLD2850VCS - CleanSteel™



imagination at work