

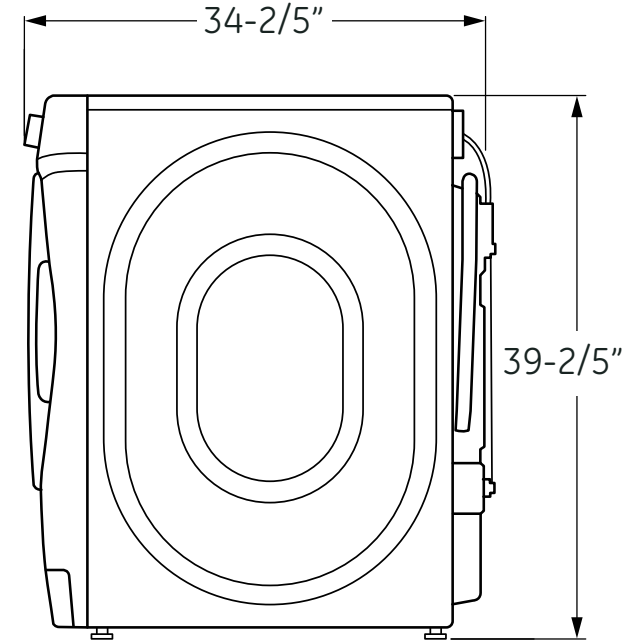
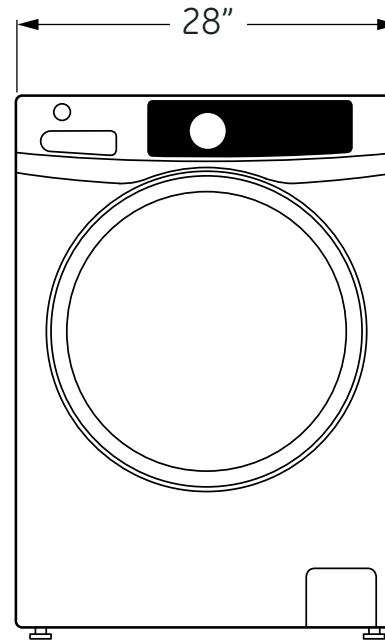
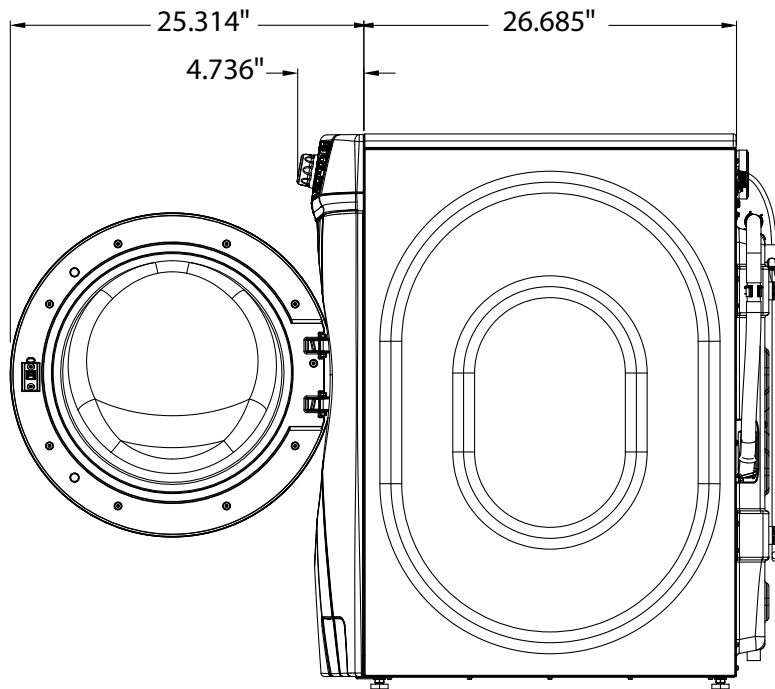
GFWS2600F/2605F

GE® ENERGY STAR® 4.5 DOE cu. ft. capacity Front Load washer with steam

Dimensions and Installation Information (in inches)

Electric Rating	
120V	60Hz

Installation Information: For complete information, see installation instructions packed with your washer.



imagination at work

For answers to your Monogram® Cafe™ Series or Profile™ Series appliance questions, visit our website at geappliances.com or call GE Answer Center® service, 800.626.2000.



Listed by
Underwriters
Laboratories

GFWS2600F/2605F

GE® ENERGY STAR® 4.5 DOE cu. ft. capacity Front Load washer with steam

Special Installation Requirements:

Stacked Installation:

- Brackets for stacking dryer over washer are not included with the washer. Order part no. GEFLSTACK or part no. WE25X10018.

Alcove or Closet Installation:

- If your dryer is approved for installation in an alcove or closet, it will be stated on a label on the dryer back.
- The dryer MUST be exhausted to the outside.
- Minimum clearances between dryer cabinet and adjacent walls or other surfaces are: 0" either side, 3" front and rear
- Minimum vertical space from floor to overhead cabinets, ceilings, etc. is 52".
- Closet doors must be louvered or otherwise ventilated and must contain a minimum of 60 sq. in. of open area equally distributed. If this closet contains both a washer and a dryer, doors must contain a minimum of 120 sq. in. of open area equally distributed.
- No other fuel-burning appliance shall be installed in the same closet with a gas dryer.

Bathroom or Bedroom Installation:

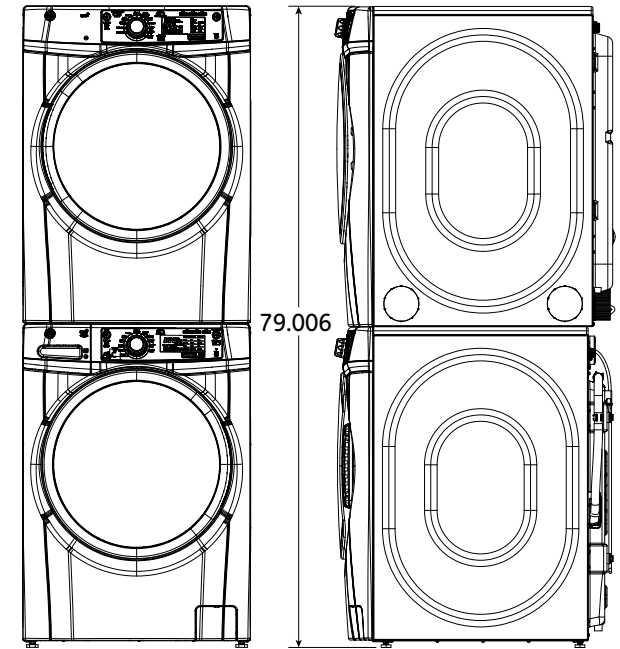
- The dryer MUST be exhausted to the outdoors.
- The installation must conform with the local codes, or in the absence of local codes, with the National Electric Code and National Fuel Gas Code, ANSI Z223.

Minimum Clearance other than Alcove or Closet Installations:

- Minimum clearances to combustible surfaces 0" both sides, 3" rear.

For more information on venting kits and accessories, please call 1-800-GE-CARES.

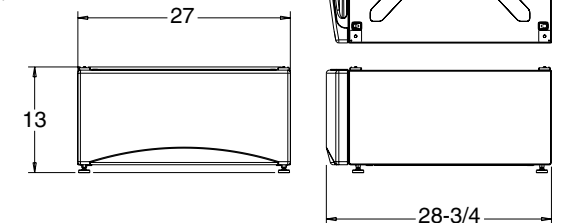
Stacked Dimensions (in inches)



Pedestal Dimensions (in inches)

GFXP1308F

This optional 13" pedestal raises the door opening and height of the washer or dryer.



imagination at work

For answers to your Monogram® Cafe™ Series or Profile™ Series appliance questions, visit our website at geappliances.com or call GE Answer Center® service, 800.626.2000.



GFWS2600F/2605F

GE® ENERGY STAR® 4.5 DOE cu. ft. capacity Front Load washer with steam

Features and Benefits

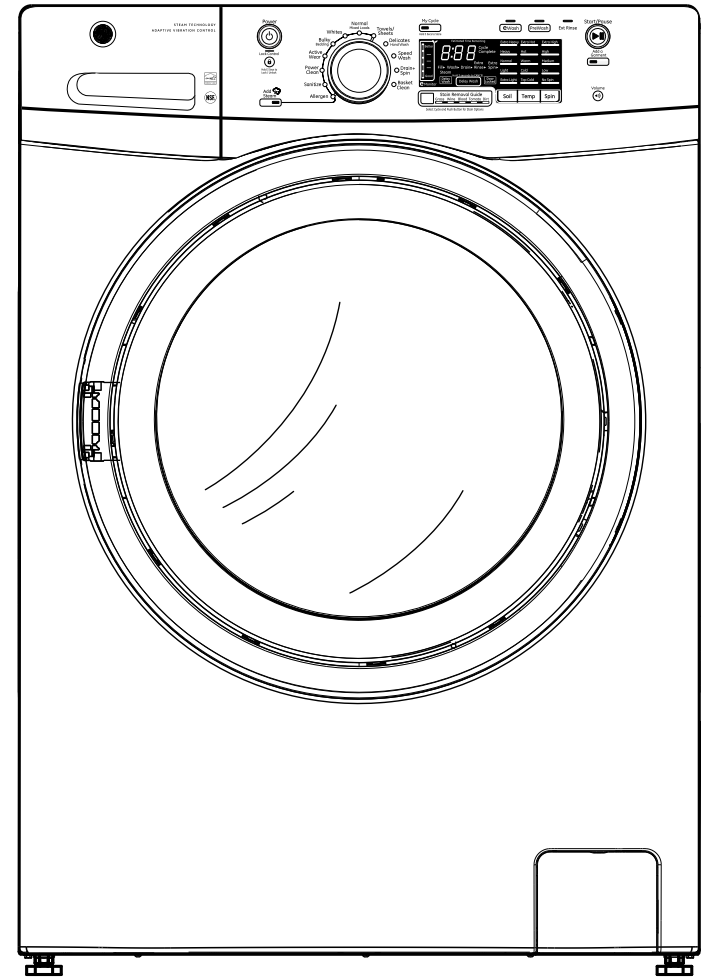
- Stain Removal Guide - Clean 5 of the most common stains with preprogrammed settings that modify any cycle to help remove blood, tomato, wine, dirt and grass
- Steam Assist - Cleans dirty clothes by loosening soils before the wash begins with steam vapor in the washer
- Adaptive Vibration Control - Enjoy more peace and quiet thanks to heavy-duty springs, vibration dampeners and a balance ring infused with counterweight bearings designed to offset out-of-balance loads
- Precision Dispense - Great cleaning performance is enhanced with a dispenser that distributes fresh detergent multiple times throughout the wash
- Power Clean - Effectively clean heavily soiled fabrics with this cycle that uses a built-in soak time, extended wash times and more vigorous wash action
- Sanitize Cycle - Feel comfort knowing clothes are sanitized* and 99.9% of bacteria has been removed thanks to an internal water heater that boosts the water temperature

*Certified by NSF Protocol P172 Sanitation Performance of Residential Clothes Washers

- Allergen Cycle - Remove up to 99% of pet dander and dust mite allergens* with this cleaning cycle that reaches 131°F

*Meets NSF Protocol P351

- LED light - Find that last sock in the washer and dryer thanks to a bright, energy-efficient and long lasting LED light
- Active Wear Wash Cycle - Finding the right setting for workout clothes is no sweat thanks to a cycle designed specifically for cleaning performance fabrics
- Model GFWS2600FWW - White
- Model GFWS2605FMC - Metallic Carbon
- Model GFWS2605FRR - Ruby Red



Modified Energy Factor (MEF)	3.0
Water Factor (WF)	3.0



imagination at work