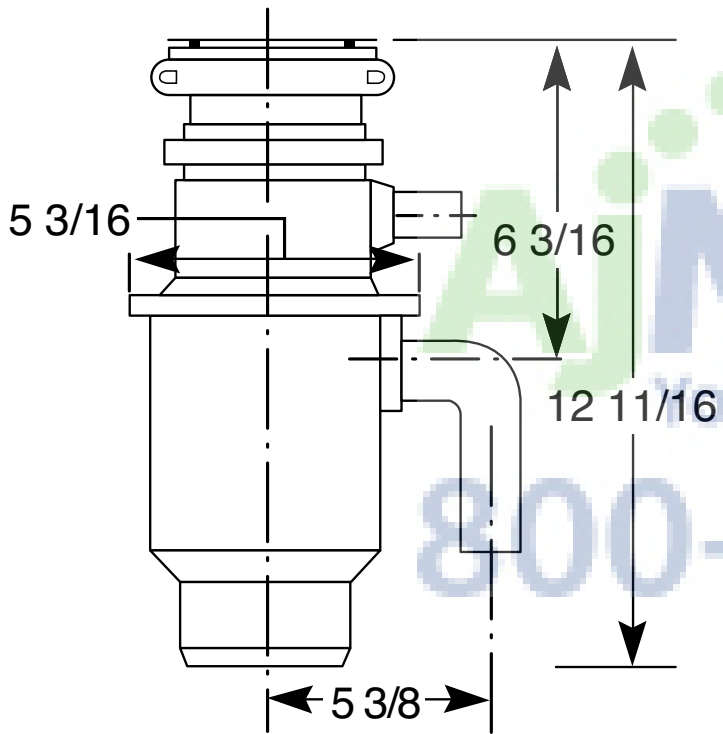




GE Appliances

GFC325V – GE® 1/3 Horsepower Continuous Feed Disposer

Disposall® Food Waste Disposer Dimensions (in inches)



Inlet/Outlet Diameters	
Dishwasher inlet diameter (in.)	3/4
Drain outlet diameter (in.)	1-1/2

AI Madison
Your Appliance Authority™
800-570-3355



Listed by
Underwriters
Laboratories

For answers to your Monogram®, GE Profile™ or GE appliance questions, visit our website at GEAppliances.com or call GE Answer Center® service, 800.626.2000.



GE Appliances

GFC325V – GE® 1/3 Horsepower Continuous Feed Disposer



Features and Benefits

- 1/3 Horsepower Motor
 - Large Capacity Continuous Feed Disposer
 - Over 2500 RPM Grinding Action*
 - Stainless Steel Jam Resistant, Dual Swivel Impellers
 - EZ mount installation
 - Line Cord Power Connection
 - Standard Sound Insulation Package
 - Cold Rolled Carbon Steel Armature Shaft Material
 - SplashGuard
 - Wall Switch with Sink Stopper
 - Manual Reset Overload Protector
 - Dishwasher Drain Connector
 - Stainless Steel Sink Flange
 - Galvanized Steel Turntable
 - 2 Level Precutter
 - Model GFC325V
- * Based on RPM testing of cleared GE and competitive models