

GDWT608/688V

GE® Built-In Dishwasher with Hidden Controls

Dimensions and Installation Information (in inches)

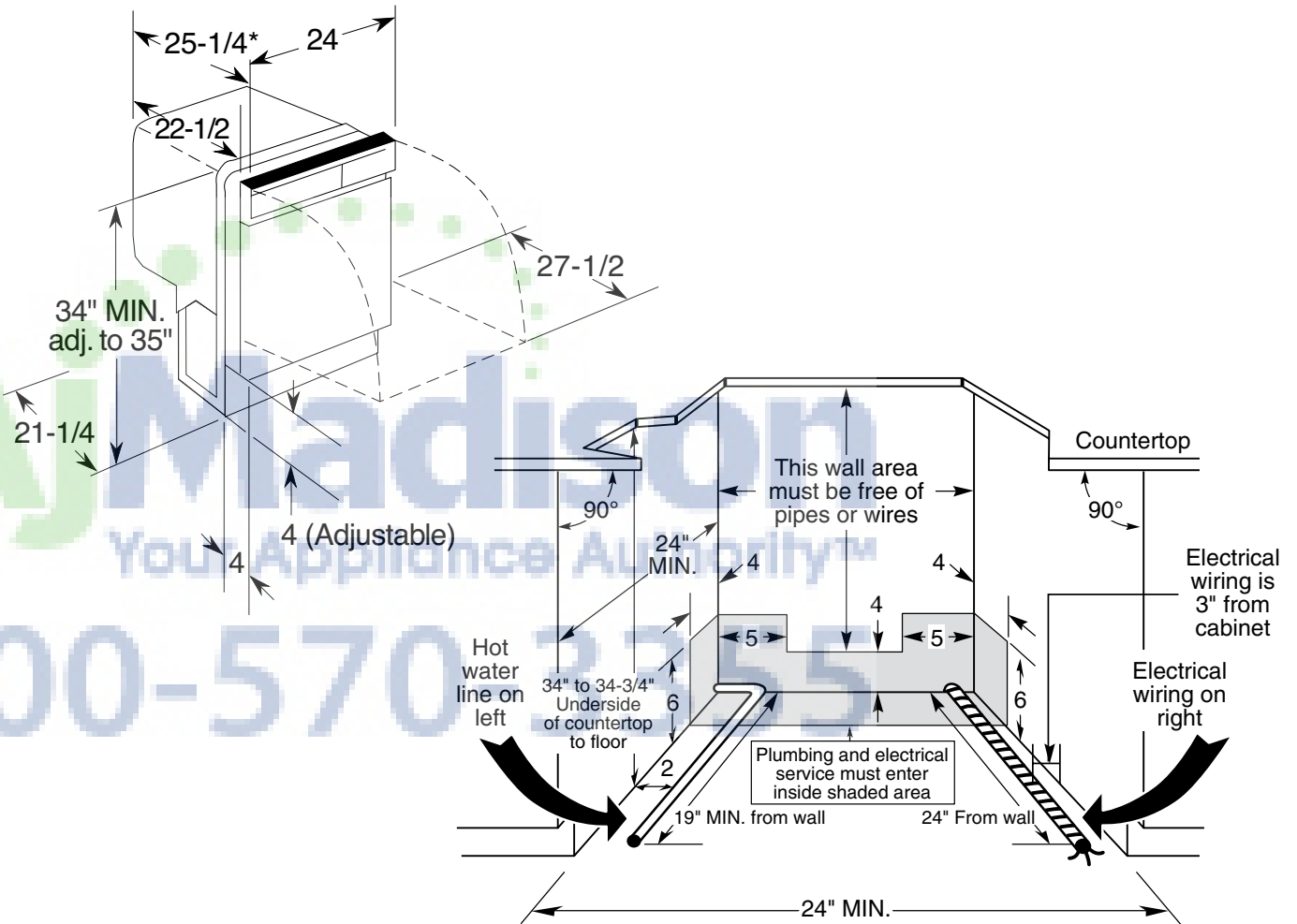
Electrical Rating

Voltage AC.....	120
Hertz.....	60
Total connected load amperage.....	9.1
Calrod® heater watts max.....	875

For use on adequately wired 120-volt, 15-amp circuit having 2-wire service with a separate ground wire. This appliance must be grounded for safe operation.

Installation Information: Before installing, consult installation instructions packed with product for current dimensional data.

†† Add 1/2" for deepest part of contour door. Allow an additional 2" for the handle on PDWT500/PDWT400/PDWT200 Series models.



For answers to your Monogram®, GE Profile™ or GE® appliance questions, visit our website at geappliances.com or call GE Answer Center® service, 800.626.2000.

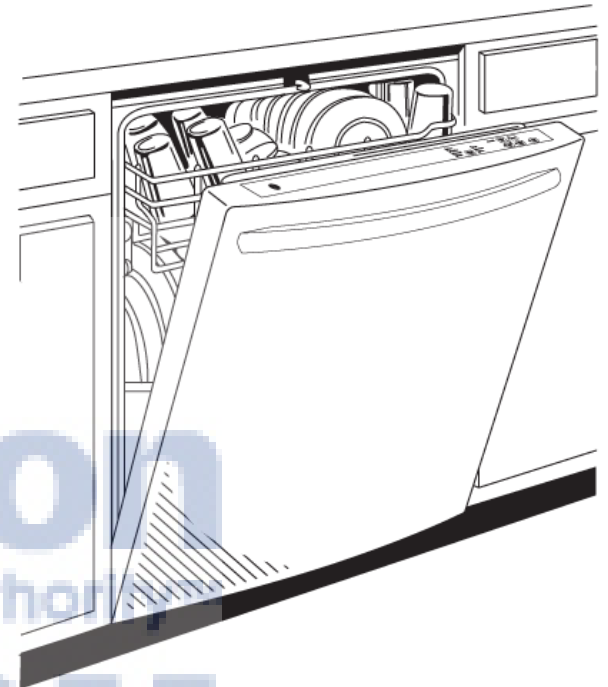


GDWT608/688V

GE® Built-In Dishwasher with Hidden Controls

Features and Benefits

- 5-stage filtration with Piranha™ hard food disposer - 5 self-cleaning filters ensure clean dishes
- Dedicated silverware jets - Highly pressurized spray jets target the silverware area for improved cleaning
- Steam PreWash - Loosens tough soils before any cycle virtually eliminating the need for soaking or pre-rinsing dishes
- Fan assist dry with heated option and ActiveVent - A heating element heats the air inside while a hidden fan circulates the warm air to help dry dishes
- 52 dBA sound level - Nearly silent two-pump system cleans dirty dishes without disruption
- ENERGY STAR® qualified and CEE Tier II rated - Meets or exceeds federal guidelines for energy efficiency for year-round energy and money savings
- Full-extension racks - Durable racks glide smoothly on ball-bearings for easy loading
- Pearlescent gray nylon racks with ball-tip tines - Long-lasting durable racks resist rusting, chipping and peeling
- Lower rack fold-down tines - Flexible loading options handle today's dishes and cookware of all shapes and sizes
- Upper rack deep bowl tines - Even oversized bowls fit perfectly in the top rack for easy cleaning
- SaniWash cycle (NSF residential) - High temperature rinse sanitizes and reduces 99.999% of bacteria found on dishes
- Model GDWT688VSS - Stainless steel (shown)
- Model GDWT608VWW - White on white
- Model GDWT608VBB - Black on black



imagination at work