

# GDT535PGJ/PSJ

## GE® Dishwasher with Hidden Controls

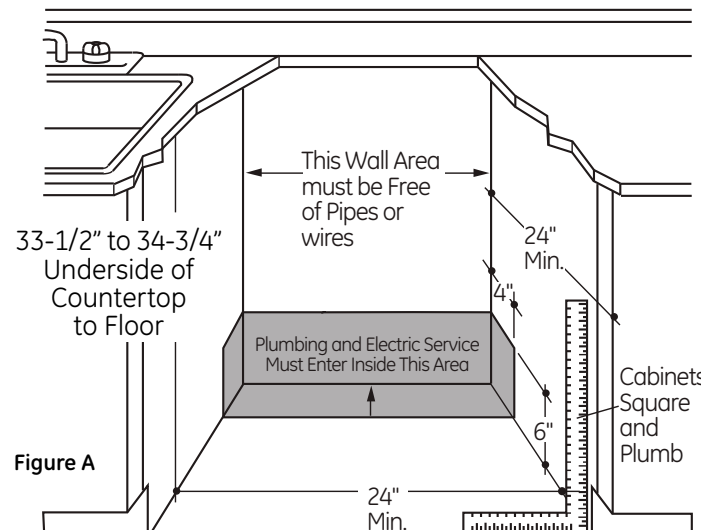
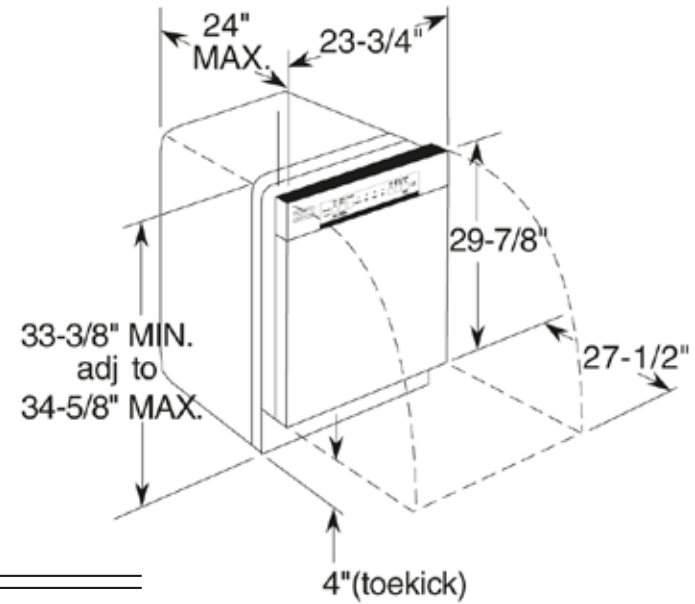
### DIMENSIONS AND INSTALLATION INFORMATION (IN INCHES)

#### ELECTRICAL RATING

Voltage AC .....	120
Hertz.....	60
Total connected load amperage.....	7.1
Calrod® heater watts .....	415/800

For use on adequately wired 120-volt, 15-amp circuit having 2-wire service with a separate ground wire. This appliance must be grounded for safe operation.

**INSTALLATION INFORMATION:** Before installing, consult installation instructions packed with product for current dimensional data.



For answers to your Monogram®, GE Profile™ or GE® appliance questions, visit our website at [geappliances.com](http://geappliances.com) or call GE Answer Center® service, 800.626.2000.



Listed by Underwriters Laboratories



As an ENERGY STAR® partner, GE has determined that this product meets the ENERGY STAR guidelines for energy efficiency.

# GDT535PGJ/PSJ

## GE® Dishwasher with Hidden Controls

### FEATURES AND BENEFITS

Piranha™ hard food disposer with removable filter – To ensure consistently clean items, this stainless steel blade rotates at 3,600 RPM to pulverize food particles and helps to prevent large particles from clogging the wash arms

Steam PreWash – Loosens tough soils before any cycle, virtually eliminating the need for soaking or pre-rinsing dishes

SpaceMaker® silverware basket – Enjoy table-ready silverware and loading flexibility with this unique basket that can be placed on the rack or onto the door

55 dBA with status light on door – A dishwasher this quiet has a status light to let you know it is running

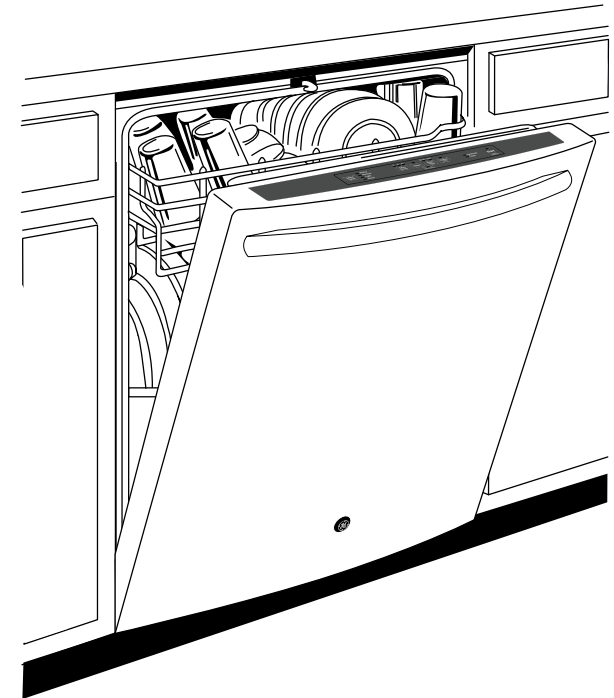
Dedicated Silverware Jets – Get table-ready silverware thanks to powerful jets that focus on silverware baskets in multiple locations

Wash Your Way customizable rack – Easy loading and unloading is assured with the ability to configure the lower wash basket tines based on your kitchen layout

Model GDT535PSJSS – Stainless steel

Model GDT535PGJWW – White on white

Model GDT535PGJBB – Black on black



GE APPLIANCES