

SERVICE DATA SHEET
Gas Range with ES541 Electronic Oven Control
FICHE DE RÉPARATION
Cuisinières gaz avec régulateur de four électronique ES 541

NOTICE - This service data sheet is intended for use by persons having electrical and mechanical training and a level of knowledge of these subjects generally considered acceptable in the appliance repair trade. The manufacturer cannot be responsible, nor assume any liability for injury or damage of any kind arising from the use of this data sheet.

SAFE SERVICING PRACTICES

To avoid the possibility of personal injury and/or property damage, it is important that safe servicing practices be observed. The following are examples, but without limitation, of such practices,

- Before servicing or moving an appliance remove power cord from electrical outlet, trip circuit breaker to OFF, or remove fuse.
- Never interfere with the proper installation of any safety device.
- GROUNDING:** The standard color coding for safety ground wires is **GREEN** or **GREEN WITH YELLOW STRIPES**. Ground leads are not to be used as current carrying conductors. **It is extremely important that the service technician reestablish all safety grounds prior to completion of service. Failure to do so will create a potential safety hazard.**
- Prior to returning the product to service, ensure that:
 - All electric connections are correct and secure.
 - All electrical leads are properly dressed and secured away from sharp edges, high-temperature components, and moving parts.
 - All uninsulated electrical terminals, connectors, heaters, etc. are adequately spaced away from all metal parts and panels.
 - All safety grounds (both internal and external) are correctly and securely reassembled.

OVEN CALIBRATION

Set the electronic oven control for normal baking at 350°F. Obtain an average oven temperature after a minimum of 5 cycles. Press **OFF** keypad to end Bake mode.

TEMPERATURE OFFSET ADJUSTMENT

- While in a non-cooking mode, press and hold the **Bake** key for 3 seconds.
- The current calibration offset (temperature adjustment) should appear in the temperature display.
- Use the number keypads (0-9) to enter the desired amount of adjustment (-35° to 35° F).
- Press the **Self clean** keypad to change the sign of the adjustment to a (-) if necessary. A positive adjustment will not display a sign.
- Once the desired adjustment (-35° to 35° F) has been entered, press the **Start** keypad to accept the change or the **OFF** keypad to reject the change.

Note: Changing calibration affects all baking modes. The adjustments made will not change the self-clean cycle temperature.

AVIS : Cette fiche de réparation a été conçue pour être utilisée par des personnes qui possèdent une formation mécanique et électrique ainsi qu'un niveau de connaissance sur ces sujets jugé généralement acceptable dans le domaine de la réparation. Le fabricant ne peut être tenu responsable des blessures ou des dommages en tous genres engendrés par l'utilisation de cette fiche.

PRATIQUES DE SERVICE SÉCURITAIRES

L'observation de pratiques de service sécuritaires est importante pour éviter les blessures et/ou les dommages matériels. Les pratiques suivantes sont présentées à titre d'exemple. Il se peut que d'autres pratiques de ce genre existent.

- Avant de réparer ou de déplacer l'appareil, débranchez-le, mettez le disjoncteur du circuit à la position Arrêt ou enlevez le fusible.
- N'interférez jamais avec l'installation d'un dispositif de sécurité.
- MISE À LA TERRE :** Le code de couleur standard pour les fils de mise à la terre de sécurité est VERT ou VERT RAYÉ JAUNE. Les conducteurs de mise à la terre ne doivent pas être utilisés comme des conducteurs normaux. Il est d'une importance majeure que le technicien de service rétablisse tous les dispositifs de mise à la terre avant de terminer la réparation. Le non-respect de cette recommandation peut entraîner un risque d'accident.
- Avant de remettre l'appareil en service, assurez-vous que :
 - Toutes les connexions électriques sont correctes et sécuritaires.
 - Tous les conducteurs sont couverts et à l'abri de rebords coupants, de composants qui atteignent de hautes températures et de pièces mobiles.
 - Toutes les bornes électriques non isolées, tous les connecteurs, les éléments chauffants, etc. sont à l'écart de toute pièce et de tout panneau de métal.
 - Tous les fils de mise à la terre (internes et externes) sont assemblés de façon correcte et sécuritaire.

CALIBRATION DU FOUR

Régalez le régulateur électronique du four pour une cuisson normale à 350 °F (175 °C). Vous devez obtenir une température moyenne de four après cinq cycles. Appuyez sur OFF pour arrêter la cuisson.

AJUSTEMENT DE LA TEMPÉRATURE

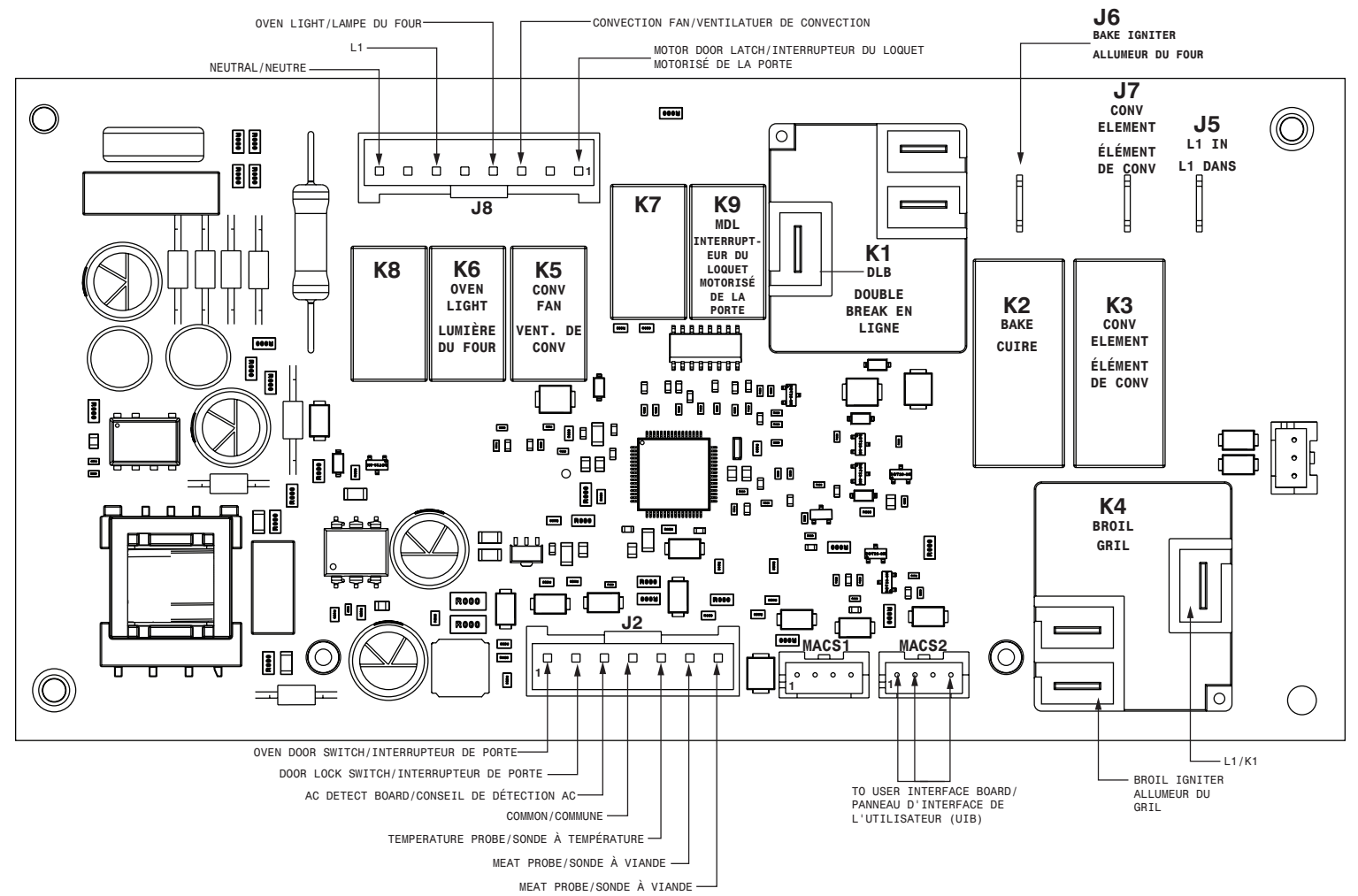
- Assurez-vous de ne sélectionner aucun mode de cuisson, puis appuyez sur la touche **BAKE** et maintenez-la enfoncée pendant 3 secondes.
- L'afficheur de température indique l'écart actuel de calibration (ajustement de température).
- Utilisez les touches numériques (0 à 9) pour entrer l'ajustement désiré (jusqu'à 35°F/18°C).
- Appuyez sur la touche **SELF CLEAN** pour ajouter le signe (-) à l'ajustement, si nécessaire. Le signe n'apparaît pas si l'ajustement est positif.
- Lorsque vous avez entré l'ajustement désiré (-35° à 35 ° F / -18 °C à 18 °C), appuyez sur la touche **START** pour confirmer le changement ou sur **OFF** pour l'annuler.

Remarque : La modification de la calibration affecte le mode de cuisson normal. Les ajustements n'affectent pas la température du cycle d'autonettoyage.



RTD SCALE		ÉCHELLE DU DÉTECTEUR DE TEMPÉRATURE À RÉSISTANCE	
Temperature °F (°C)	Resistance (ohms)	Température °F (°C)	Résistance (ohms)
32 ± 1.9 (0 ± 1.0)	1000 ± 4.0	32 ± 1,9 (0 ± 1,0)	1 000 ± 4,0
75 ± 2.5 (24 ± 1.3)	1091 ± 5.3	75 ± 2,5 (24 ± 1,3)	1 091 ± 5,3
250 ± 4.4 (121 ± 2.4)	1453 ± 8.9	250 ± 4,4 (121 ± 2,4)	1 453 ± 8,9
350 ± 5.4 (177 ± 3.0)	1654 ± 10.8	350 ± 5,4 (177 ± 3,0)	1 654 ± 10,8
450 ± 6.9 (232 ± 3.8)	1852 ± 13.5	450 ± 6,9 (232 ± 3,8)	1 852 ± 13,5
550 ± 8.2 (288 ± 4.5)	2047 ± 15.8	550 ± 8,2 (288 ± 4,5)	2 047 ± 15,8
650 ± 9.6 (343 ± 5.3)	2237 ± 18.5	650 ± 9,6 (343 ± 5,3)	2 237 ± 18,5
900 ± 13.6 (482 ± 7.5)	2697 ± 24.4	900 ± 13,6 (482 ± 7,5)	2 697 ± 24,4
Probe circuit to case ground	Open circuit/infinite resistance	Circuit de la sonde mise à la terre à la caisse	Circuit ouvert/résistance infinie

ELECTRONIC OVEN CONTROL (EOC) RELAY BOARD
CARTE RELAIS DE COMMANDE ÉLECTRONIQUE DE FOUR (EOC)



CIRCUIT ANALYSIS MATRIX MATRICE D'ANALYSE DE CIRCUIT	EOC Relays (Ralais du regulateur electronique du four)						Door Switch Contacts COM-NO Interrupteur porte COM-NO
	L1 to Bake (cuisson)	L1 to Broil (gril)	L1 to Conv Element (moteur a convection)	L1 to Conv Fan (ventilateur a convection)	L1 to Motor Door Latch (verrouillage du moteur de la porte)	L1 to Oven Lamps (Lampe du four)	
Bake/ Bake Time (Cuisson/durée minutée)	X*	X*	X'	X'			
Convection Bake (Conv/cuisson rapide)	X*	X*	X	X			
Convection Roast (Rôtissage à convection)	X*	X*	X	X			
Broil (Gril)		X					
Self-Clean (Nettoyage)	X*						
Locking (Verrouillage)					X		
Unlocking (Déverrouillage)					X		
Door Open (Porte ouverte)						X	O
Door Closed (Porte fermée)						O	X
Oven Lamps(ON) (Lampe du four)						X	

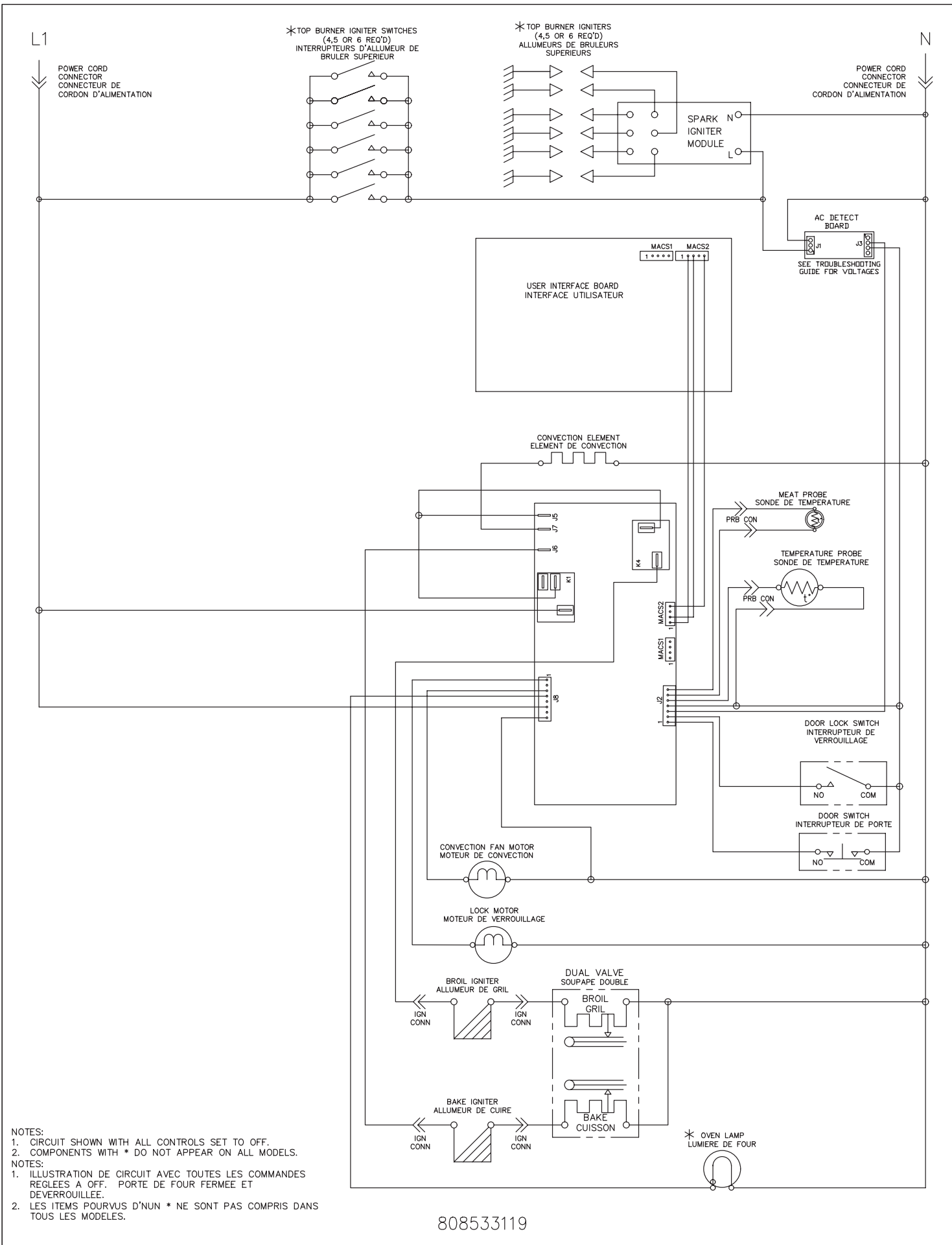
Notes: **X** = Circuit contact closed. **O** = Circuit contacts open. * = Cycles as needed. **X'** = During preheat.
 Remarque: **X** = ontrôlez les circuits indiqués. **O** = Contacts de circuit ouverts. * = Cycles selon les besoins. **X'** = Pendant le préchauffage.

ELECTRONIC OVEN CONTROL CODE DESCRIPTIONS		
Fault Code	Likely Failure Condition/Cause	Suggested corrective action
F001, F002, F004, F005	Touch failure	1. Disconnect power, wait 30 seconds and reapply power. If fault returns upon power-up replace the Oven User Interface board.
F003	The oven user interface board is incorrectly configured.	1. Replace the oven user interface board. Make sure you install the latest revision available for this model.
F010	Oven temperature runaway: the cavity temperature has been detected in excess of the maximum safe operating temperature.	1. If oven is overheating, disconnect power. Check oven temperature probe (RTD) and replace if necessary. 2. If the oven temperature probe is good and if oven continues to overheat when power is reapplied, replace the oven relay board.
F011	Stuck key: a key has been detected has pressed continuously for 30 seconds or more.	1. If a key was pressed inadvertently for a long time this error code will be displayed. Make sure there is nothing (water, utensils) in contact with the keyboard. The fault code should go away once the key is released and the Stop key is pressed. If the F011 error comes back when a key is pressed it means the error condition is still there. If the F011 error does not come back it means the error condition is gone and the oven can be used. 2. If the fault code cannot be cleared, the board/springs alignment within the mechanical enclose maybe affected. Reinstall the board within the enclosure. 3. If reinstalling the board did not fix the problem replace the oven user interface board.
F012	Keyboard configuration alarm: the oven user interface board received from the touch micro a key code that does not match the key map.	1. Verify the unit has the proper configuration is loaded, based on the model number and parts catalog. 2. Replace the oven user interface board if the problem persists.
F013	Data written to non-volatile memory has failed verification	1. Disconnect power, wait 30 seconds and reapply power. If fault returns upon power-up replace the oven user interface.
F015	Keyboard Error	1. Disconnect power, wait 30 seconds and reapply power. If fault returns upon power-up replace the oven user interface board.
F017	The oven user interface board is unable to configure the touch.	1. Disconnect power to the unit, wait 30 seconds, then reapply power. 2. Verify the unit has the proper oven user interface board and configuration, based on the model number and parts catalog. 3. If fault persists, replace the oven user interface.
F018	Oven relay board failure (wiggler)	1. Replace the oven relay board.
F019	The oven user interface board is unable to configure the oven relay board	1. Disconnect power to the unit, wait 30 seconds, then reapply power. 2. If fault returns, verify connection between the oven user interface board and the oven relay board (MACS1 or MACS2 connector) 3. Verify the unit has the proper oven user interface board and oven relay board, based on the model number and parts catalog. 4. If fault persists, replace oven user interface board. 5. If fault persists, replace the relay board.
F022	Communication failure between the oven user interface board and the oven relay board	1. Disconnect power, wait 30 seconds and reapply power. Check if error condition is still there. 2. Test wiring harness between oven user interface board and oven relay board (connector MACS1 or MACS2) 3. If wiring harness is good replace oven relay board. 4. If the problem persists replace the oven user interface.
F023	Communication failure between the oven user interface micro and the touch micro	1. Disconnect power, wait 30 seconds and reapply power. Check if error condition is still there. 2. If the problem persists replace the oven user interface.
F025, F027	The communication between the oven user interface and the oven relay board cannot be initiated.	1. Disconnect power to the unit, wait 30 seconds, then reapply power. 2. If fault returns, verify connection between the oven user interface board and the oven relay board (MACS1 or MACS2 connector). 3. Verify the unit has the proper oven user interface board and oven relay board, based on the model number and parts catalog. 4. If fault persists, replace relay board. 5. If fault persists, replace the oven user interface board.
F028, F029	The communication between the oven user interface micro and the touch micro cannot be initiated.	1. Disconnect power to the unit, wait 30 seconds, then reapply power. 2. Verify the unit has the proper oven user interface board and configuration, based on the model number and parts catalog. 3. If fault persists, replace the oven user interface.
F030	Open oven temperature sensor (RTD)	1. Check probe circuit wiring for possible open or short condition. 2. Verify RTD resistance at room temperature (compare to probe resistance chart). If resistance does not match the chart, replace the RTD probe.
F031	Shorted oven temperature probe (RTD)	3. If the problem persists replace the oven relay board.

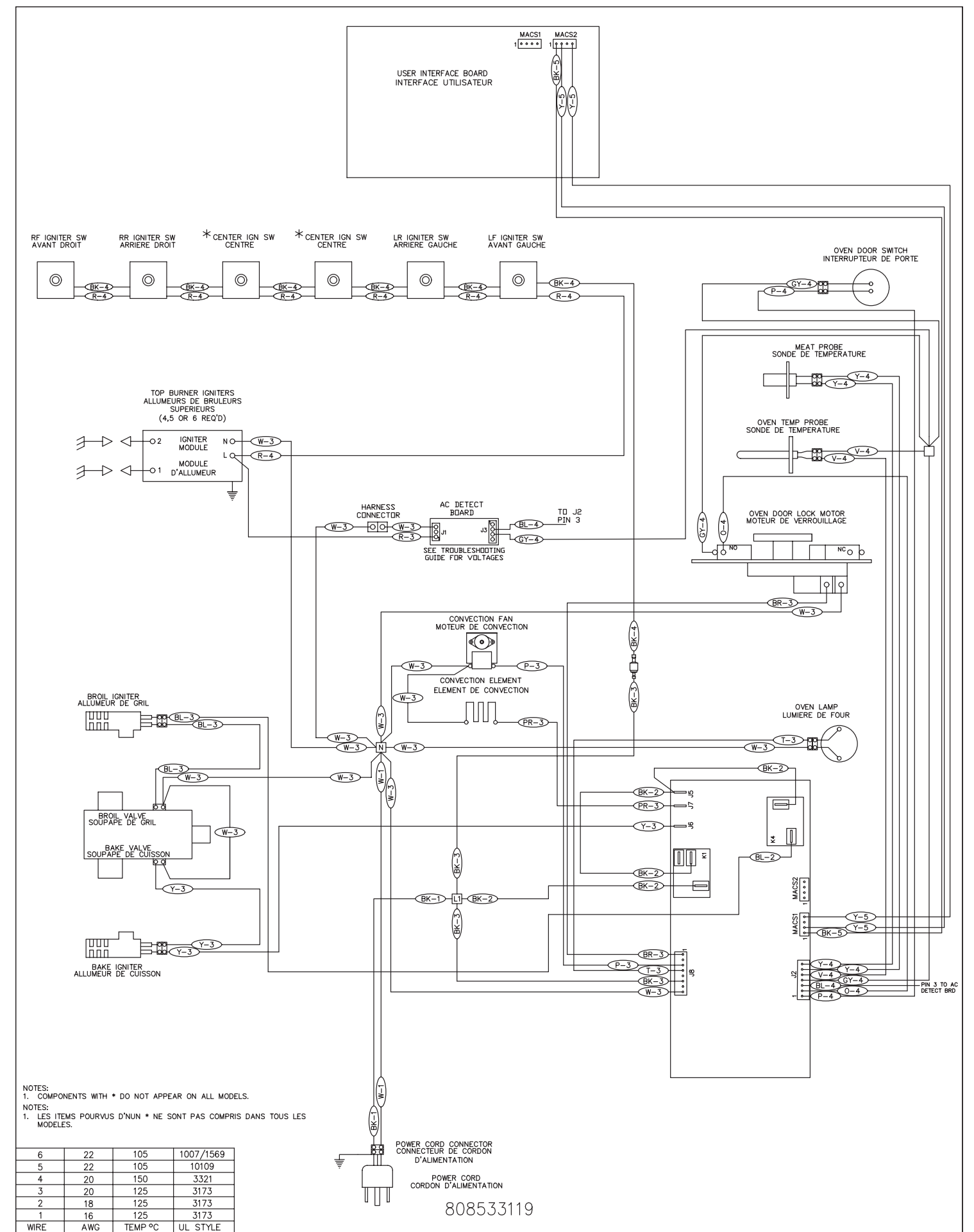
F033	Meat probe temperature sensor shorted or too hot	1. The error is triggered if the meat probe sees a temperature in excess of 392°F. Make sure the meat probe was not used in such way that it could have seen such temperature. If the tip of the probe is not inserted in the meat it will see the cavity temperature, which can be higher than 392°F (depending on the setpoint) and trigger the alarm. 2. When the meat probe is connected to the socket inside the oven cavity, if the meat probe is not fully inserted into the socket it may short the contacts and cause the error. Make sure the probe is inserted as much as it can. 3. Verify meat probe resistance at room temperature. Compare to meat probe resistance chart. If the meat probe does not match the chart, replace it. 4. If the above steps failed to correct the problem, replace the oven relay board.
F050	A/D Out of Range: the oven relay board is unable to read the status of the switches (door, MDL)	1. Clear error, cycle Power a couple of times and check if error is back, if so replace Power board. 2. Replace Door switch plunger/s and reseal harness. 3. If error persists check MDL & Harness.
F090	Motor Door Lock mechanism failure. The oven control does not see the Motor Door Lock running.	1. Disconnect power to the unit, wait 30 seconds, then reapply power. Try again to make the door lock or unlock (ex: initiate a Lockout or a Clean cycle). 2. Check if the Lock Motor is running or not. If it is not running, test the wiring between the Lock Motor and the oven relay board. If the wiring is good, check if there is 120VAC at the motor when it is expected to run to see if the failure originates from a bad motor (120VAC present but not turning) or a problem with the relay board (J8 pin 1 on the oven relay board is the output to the Lock Motor). The Lock Motor can also be tested by applying 120VAC directly to the motor (unplug it from the relay board first). If the Lock Motor does not run when 120VAC is applied replace the Lock Motor Assembly. If it is the relay board that does not provide 120VAC to the Lock Motor replace the oven relay board. 3. If the Lock Motor is running but the oven control cannot find the locked or unlocked position (ex: motor turns continuously until F90 fault code is generated) the Lock Switch needs to be verified. Check wiring between Lock Switch and oven relay board. Verify with ohmmeter if the switch makes contact properly (verify continuity with ohmmeter when the switch is pressed). If the Lock Switch is defective replace the Motor Lock Assembly. 4. If all above steps failed to correct the situation, replace the oven relay board.
F095	Motor Door Lock mechanism failure. The Motor Door Lock does not stop running or the Lock Switch sends an invalid signal.	1. The problem can be caused by a faulty Lock Switch or by a defective oven relay board. If the Motor Door Lock is always running (as if the relay controlling it is stuck closed) replace the oven relay board. 2. If the motor is not always running replace the Motor Lock Assembly.
F096	The oven door has been detected open during a Self-Clean cycle.	1. This error occurs if the door switch has lost its contact during a Self-Clean cycle. Make sure the oven door closes well and fully presses on the door switch plunger when the door is locked, and no one attempted to pull on the oven door during the Self Clean cycle. 2. Test continuity of wiring between the door switch and the oven relay board, make sure the door switch is well connected. With an ohmmeter, verify the switch is closed when the plunger is pressed. If the door switch is found to be defective replace the door switch. 3. If the switch and wiring are good and the problem persists, replace the oven relay board.
SCC	Self-Clean Cancel	1. This error is only applicable to gas models and typically occurs when the user turns on the cooktop while self-clean is active. 2. If SCC occurs without the burner ON, Check wiring from J2 Pin 3 to resettable thermal cutoff switch under the front right burner. 3. J2 Pin 3 to J2 Pin 4 should indicate continuity 4. Check if the resettable thermal cutoff switch under the front right burner is closed at ambient temperature, if open replace it. 5. Lastly if above steps work as expected, replace Power board.
User unable to enter self-clean, with all burners off	Invalid key tone when user tries to start self-clean without burners turned on.	1. Check if previous clean was run within the last 4 hours, if so clean should work after 4 hours. 2. Enter FTM and press self-clean button, if "SCC" in the temperature display. Check wiring from J2 Pin 3 to resettable thermal cutoff switch under the front right burner. Check if the resettable thermal cutoff switch under the front right burner is closed at ambient temperature, if open replace it. 3. Lastly if above steps work as expected, replace Power board.

DESCRIPTIONS DES CODES DE COMMANDE DE FOUR ÉLECTRONIQUE		
Code	Description pour la fiche technique	Mesure corrective suggérée
F001, F002, F004, F005	Défaillance de raccord	1. Coupez l'alimentation électrique, attendez 30 secondes, puis rebranchez l'appareil. Si le problème n'est pas réglé, remplacez la carte d'interface utilisateur du four.
F003	La carte d'interface utilisateur du four est mal configurée.	1. Remplacez la carte d'interface utilisateur du four. Veillez à installer la dernière révision disponible pour ce modèle.
F010	Emballement de la température du four : la température dans la cavité du four est supérieure à la température de fonctionnement sécuritaire.	1. Si le four surchauffe, coupez l'alimentation électrique. Vérifiez la sonde du détecteur de température (DTR) du four et remplacez-la, le cas échéant. 2. Si la sonde du détecteur de température du four ne présente pas de défaillance et que le four surchauffe toujours lorsqu'il est alimenté, remplacez le panneau de relais du four.
F011	Touche coincée : une touche est demeurée enfoncée pendant 30 secondes ou plus.	1. Si une touche a été enfoncée par inadvertance pendant longtemps, ce code d'erreur sera affiché. Assurez-vous qu'il n'y a rien (eau, ustensiles) qui entre en contact avec le clavier. Le code de défaillance devrait disparaître une fois que la touche est relâchée et que la touche Stop (arrêt) est enfoncée. Si le code d'erreur F011 s'affiche de nouveau lorsque vous appuyez sur une touche, cela signifie que la condition d'erreur subsiste toujours. Si le code d'erreur F011 ne s'affiche plus, cela signifie que la condition d'erreur est disparue et que le four peut être utilisé. 2. Si le code de défaillance ne peut pas être effacé, l'alignement de la carte/des ressorts dans l'enceinte mécanique peut être affecté. Réinstallez la carte dans l'enceinte. 3. Si la réinstallation de la carte n'a pas permis de résoudre le problème, remplacez la carte d'interface utilisateur du four.
F012	Alarme de configuration du clavier : la carte d'interface utilisateur du four a reçu du micro tactile un code de touche qui ne correspond pas à la carte de touches.	1. Vérifiez que la configuration appropriée de l'appareil est téléchargée, en fonction du numéro de modèle et du catalogue des pièces. 2. Si le problème persiste, remplacez la carte d'interface utilisateur du four.
F013	Les données enregistrées dans la mémoire non volatile n'ont pas pu être vérifiées.	1. Coupez l'alimentation électrique, attendez 30 secondes, puis rebranchez l'appareil. Si le problème n'est pas réglé, remplacez la carte d'interface utilisateur du four.
F015	Erreur du clavier	1. Coupez l'alimentation électrique, attendez 30 secondes, puis rebranchez l'appareil. Si le problème n'est pas réglé, remplacez la carte d'interface utilisateur du four.
F017	La carte d'interface utilisateur du four ne parvient pas à configurer la touche.	1. Coupez l'alimentation électrique de l'appareil, attendez 30 secondes, puis rebranchez-le. 2. Vérifiez que l'appareil dispose de la bonne carte d'interface utilisateur du four et de la configuration appropriée en fonction du numéro de modèle et du catalogue des pièces. 3. Si le problème persiste, remplacez la carte d'interface utilisateur du four.
F018	Défaillance du panneau de relais du four (onduleur)	1. Remplacez le panneau de relais du four.
F019	La carte d'interface utilisateur du four ne parvient pas à configurer le panneau de relais du four.	1. Coupez l'alimentation électrique de l'appareil, attendez 30 secondes, puis rebranchez-le. 2. Si le problème n'est pas réglé, vérifiez la connexion entre la carte d'interface utilisateur du four et le panneau de relais du four (connecteur MACS1 ou MACS2). 3. Vérifiez que l'appareil dispose de la bonne carte d'interface utilisateur du four et du panneau de relais du four approprié en fonction du numéro de modèle et du catalogue des pièces. 4. Si le problème persiste, remplacez la carte d'interface utilisateur du four. 5. Si le problème persiste, remplacez le panneau de relais.
F022	Problème de communication entre la carte d'interface utilisateur du four et le panneau de relais du four	1. Coupez l'alimentation électrique, attendez 30 secondes, et rebranchez l'appareil. Vérifiez si la condition d'erreur est encore présente. 2. Testez le faisceau de câbles entre la carte d'interface utilisateur du four et le panneau de relais du four (connecteur MACS1 ou MACS2). 3. Si le faisceau fonctionne correctement, remplacez le panneau de relais du four. 4. Si le problème persiste, remplacez la carte d'interface utilisateur du four."
F023	Problème de communication entre le micro d'interface utilisateur du four et le micro tactile	1. Coupez l'alimentation électrique, attendez 30 secondes, et rebranchez l'appareil. Vérifiez si la condition d'erreur est encore présente. 2. Si le problème persiste, remplacez la carte d'interface utilisateur du four.
F025, F027	La communication entre l'interface utilisateur du four et le panneau de relais du four ne peut pas être établie.	1. Coupez l'alimentation électrique de l'appareil, attendez 30 secondes, puis rebranchez-le. 2. Si le problème n'est pas réglé, vérifiez la connexion entre la carte d'interface utilisateur du four et le panneau de relais du four (connecteur MACS1 ou MACS2). 3. Vérifiez que l'appareil dispose de la bonne carte d'interface utilisateur du four et du panneau de relais du four approprié en fonction du numéro de modèle et du catalogue des pièces. 4. Si le problème persiste, remplacez le panneau de relais. 5. Si le problème n'est pas réglé, remplacez la carte d'interface utilisateur du four.
F028, F029	La communication entre le micro d'interface utilisateur du four et le micro tactile ne peut pas être établie.	1. Coupez l'alimentation électrique de l'appareil, attendez 30 secondes, puis rebranchez-le. 2. Vérifiez que l'appareil dispose de la bonne carte d'interface utilisateur du four et de la configuration appropriée en fonction du numéro de modèle et du catalogue des pièces. 3. Si le problème persiste, remplacez la carte d'interface utilisateur du four."
F030	Détecteur de température du four (DTR) ouvert	1. Vérifiez le câblage dans le circuit de la sonde pour vérifier s'il y a un problème de court-circuit ou de contact coupé.
F031	Court-circuit de la sonde du détecteur de température du four (DTR)	2. Vérifiez la résistance du détecteur de température à la température de la pièce (comparez-la au tableau de résistance de la sonde du détecteur de température à résistance). Si la résistance ne correspond pas à celle du tableau, remplacez la sonde du détecteur de température à résistance. 3. Si le problème persiste, remplacez le panneau de relais du four.

F033	Le capteur de température de la sonde thermique a subi un court-circuit ou est trop chaud.	1. L'erreur est déclenchée si la sonde thermique détecte une température supérieure à 200 °C (392 °F). Assurez-vous que la sonde n'a pas été utilisée dans de telles températures. Si la pointe de la sonde n'est pas insérée dans la viande, elle indiquera la température de la cavité, qui peut être supérieure à 200 °C (392 °F) (selon le point de déclenchement) et déclencher l'alarme. 2. Lorsque la sonde thermique est connectée à la prise située à l'intérieur de la cavité du four et qu'elle n'est pas complètement insérée dans la prise, cela peut provoquer un court-circuit des contacts et une erreur. Assurez-vous que la sonde est insérée aussi profondément que possible. 3. Vérifiez la résistance de la sonde thermique à la température de la pièce. Comparez au tableau de résistance de la sonde. Si la résistance de la sonde ne se trouve pas dans le tableau, remplacez la sonde. 4. Si les étapes ci-dessus ne permettent pas de résoudre le problème, remplacez le panneau de relais du four."
F050	A/D hors plage : le panneau de relais du four ne peut pas lire l'état des interrupteurs (porte, loquet motorisé de la porte)	1. Effacez l'erreur, redémarrez l'alimentation plusieurs fois et, si l'erreur est de retour, remplacez le panneau de contrôle. 2. Sinon, remplacez le bouton de l'interrupteur de porte et remplacez le faisceau. 3. Si l'erreur persiste, vérifiez le loquet motorisé de la porte et le faisceau."
F090	Défaillance du loquet motorisé de la porte Les commandes du four ne voient pas le loquet motorisé activé de la porte.	1. Coupez l'alimentation électrique de l'appareil, attendez 30 secondes, puis rebranchez-le. Essayez à nouveau de verrouiller ou de déverrouiller la porte (par exemple : activez un cycle de verrouillage ou de nettoyage). 2. Vérifiez si le moteur de verrouillage est en marche. S'il ne fonctionne pas, testez le câblage entre le moteur de verrouillage et le panneau de relais du four. Si le câblage n'est pas déficient, vérifiez s'il existe une tension de 120 V CA au moteur lorsqu'il doit fonctionner pour voir si la défaillance provient d'un moteur déficient (l'alimentation de 120 V CA est présente, mais le four ne fonctionne pas) ou d'un problème avec le panneau de relais (J8 broche 1 sur le panneau de relais du four est la sortie du moteur de verrouillage). Le moteur de verrouillage peut également être testé en appliquant 120 V CA directement au moteur (débranchez-le d'abord du panneau de relais). Si le moteur de verrouillage ne fonctionne pas lorsque 120 V CA sont appliqués, remplacez l'ensemble du moteur de verrouillage. Si le panneau de relais ne fournit pas 120 V CA au moteur de verrouillage, remplacez le panneau de relais du four. 3. Si le moteur de verrouillage est en marche, mais les commandes du four ne trouvent pas la position verrouillée ou déverrouillée (par exemple : le moteur fonctionne continuellement jusqu'à ce que le code d'erreur F90 soit affiché), l'interrupteur de verrouillage doit être vérifié. Vérifiez le câblage entre l'interrupteur de verrouillage et le panneau de relais du four. Vérifiez, avec l'ohmmètre, si l'interrupteur établit un bon contact (vérifiez la continuité avec l'ohmmètre lorsque vous appuyez sur l'interrupteur). Si l'interrupteur de verrouillage est déficient, remplacez l'ensemble du moteur de verrouillage. 4. Si les étapes ci-dessus ne permettent pas de résoudre le problème, remplacez le panneau de relais du four.
F095	Défaillance du loquet motorisé de la porte Le loquet motorisé ne s'arrête pas ou l'interrupteur de verrouillage envoie un signal non valide.	1. Le problème peut être causé par un interrupteur de verrouillage déficient ou par un panneau de relais du four déficient. Si le loquet motorisé de la porte est toujours actif (comme si le relais le contrôlant était coincé en position fermée), remplacez le panneau de relais du four. 2. Si le moteur ne fonctionne pas toujours, remplacez l'ensemble du moteur de verrouillage.
F096	La porte du four a été détectée ouverte pendant un cycle d'autonettoyage.	1. Cette erreur se produit si l'interrupteur de la porte a perdu son contact pendant un cycle d'autonettoyage. Assurez-vous que la porte du four se ferme correctement et que vous appuyez à fond sur le bouton de la porte lorsque la porte est verrouillée, et que personne n'a tenté de tirer sur la porte du four pendant le cycle d'autonettoyage. 2. Testez la continuité du câblage entre l'interrupteur de porte et le panneau de relais du four, assurez-vous que l'interrupteur de porte est bien connecté. Avec un ohmmètre, vérifiez que l'interrupteur est fermé lorsque vous appuyez sur le bouton. Si l'interrupteur de porte s'avère déficient, remplacez-le. 3. Si l'interrupteur et le câblage ne sont pas déficients et que le problème persiste, remplacez le panneau de relais du four.
SCC	Annuler le cycle d'autonettoyage	1. Cette erreur ne concerne que les modèles à gaz et a généralement lieu lorsque l'utilisateur active la table de cuisson alors que l'autonettoyage est actif. 2. Si l'erreur SCC se produit sans que le brûleur soit allumé, vérifiez le câblage de la broche 3 de J2 vers l'interrupteur de coupe-circuit thermique réinitialisable situé sous le brûleur avant droit. 3. La broche 3 de J2 à la broche 4 de J2 devrait indiquer la continuité. 4. Vérifiez si l'interrupteur de coupe-circuit thermique réinitialisable situé sous le brûleur avant droit est fermé à la température ambiante. Remplacez-le s'il est ouvert. 5. Enfin, si les étapes ci-dessus fonctionnent comme prévu, remplacez la carte d'alimentation.
L'utilisateur est incapable d'entrer un mode d'autonettoyage lorsque tous les brûleurs sont éteints.	Bip de touche invalide lorsque l'utilisateur tente de démarrer l'autonettoyage sans que les brûleurs soient allumés.	1. Vérifiez si le nettoyage précédent a été exécuté au cours des 4 dernières heures. Si tel est le cas, le nettoyage devrait fonctionner après 4 heures. 2. Si « SCC » est affiché dans l'affichage de la température, entrez « FTM » et appuyez sur le bouton d'autonettoyage. Vérifiez le câblage de la broche 3 de J2 vers l'interrupteur de coupe-circuit thermique réinitialisable situé sous le brûleur avant droit. Vérifiez si l'interrupteur de coupe-circuit thermique réinitialisable situé sous le brûleur avant droit est fermé à la température ambiante. Remplacez-le s'il est ouvert. 3. Enfin, si les étapes ci-dessus fonctionnent comme prévu, remplacez la carte d'alimentation.



808533119



808533119

WIRE	AWG	TEMP °C	UL STYLE
6	22	105	1007/1569
5	22	105	10109
4	20	150	3321
3	20	125	3173
2	18	125	3173
1	16	125	3173