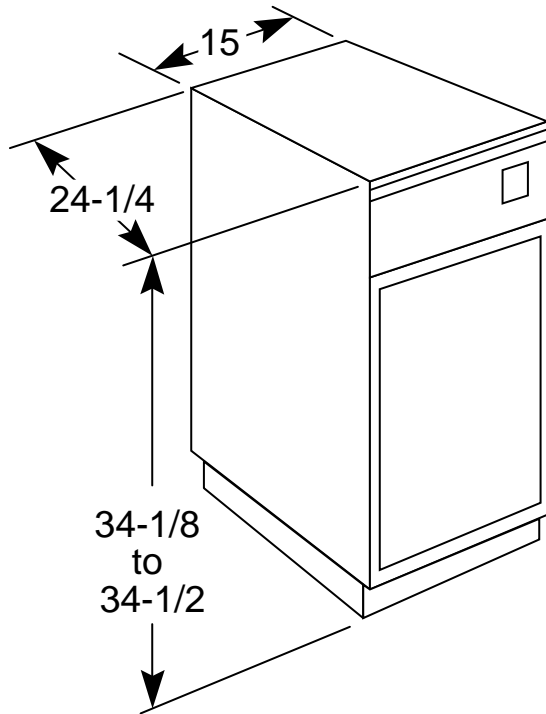




GE Appliances

GCG1540FSS—GE 15" Built-In Compactor

Dimensions (in inches)



Specification Revised 8/03
350813

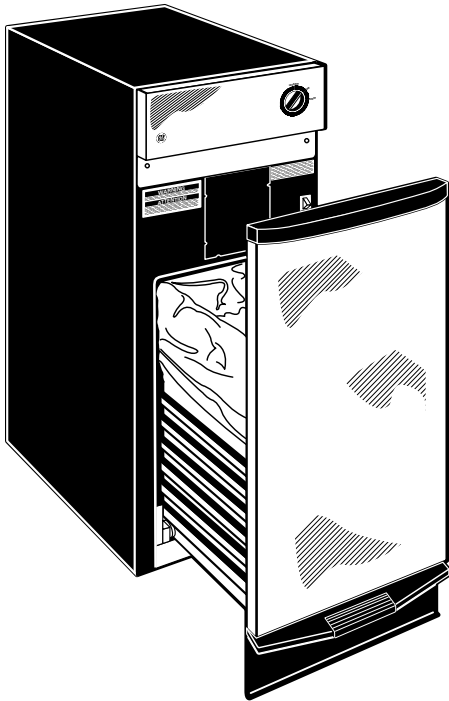


For answers to your Monogram[®], GE Profile[™] or
GE[®] appliance questions, visit our website at
GEAppliances.com or call
GE Answer Center[®] service, 800.626.2000.



GE Appliances

GCG1540FSS—GE 15" Built-In Compactor



Features and Benefits

- 1.4 cu. ft. Capacity
- 27 Seconds Max. – 14 Seconds Min. Cycle Time
- 75% Volume Reduction Compression Ratio (average)
- 2300 lbs. Ram Force (max.)
- 2-Point Drive System
- 1/3 Horsepower Motor
- Removable Key Lock
- Hands-Free Toe Opening Drawer
- Automatic Anti-Jaming Feature
- Rear Wheels Allow Easy Movement and Installation
- Heavy-Gauge Steel Construction
- Compactor Bags Included
- Model GCG1540FSS—Stainless Steel
- Model GCG1530FWW—White on white
- Model GCG1550FCC—Bisque on bisque
- Model GCG1520FBB—Black on black