

INSTALLATION INSTRUCTIONS

Counter Depth Side by Side Refrigerator

IMPORTANT: READ AND SAVE THESE INSTRUCTIONS. INSTALLATION REQUIRES 2 OR MORE PEOPLE.

INSTRUCCIONES DE INSTALACIÓN

Refrigerador de dos puertas con profundidad de mostrador

IMPORTANTE: LEA Y GUARDE ESTAS INSTRUCCIONES. LA INSTALACIÓN REQUIERE DE 2 O MÁS PERSONAS.

INSTRUCTIONS D'INSTALLATION

Réfrigérateur côte à côte à profondeur de comptoir

IMPORTANT : LIRE ET CONSERVER CES INSTRUCTIONS. L'INSTALLATION NÉCESSITE L'INTERVENTION DE 2 PERSONNES OU PLUS.

Table of Contents / Índice / Table des matières

ASSISTANCE OR SERVICE	1	AYUDA O SERVICIO TÉCNICO	9	ASSISTANCE OU SERVICE	17
REFRIGERATOR SAFETY	2	SEGURIDAD DEL REFRIGERADOR	9	SÉCURITÉ DU RÉFRIGÉRATEUR	17
INSTALLATION REQUIREMENTS	2	REQUISITOS DE INSTALACIÓN	9	EXIGENCES D'INSTALLATION	17
Tools and Parts	2	Piezas y herramientas	9	Outillage et pièces	17
Product Dimensions	2	Medidas del producto	10	Dimensions du produit	18
Location Requirements	4	Requisitos de ubicación	12	Exigences d'emplacement	20
Electrical Requirements	4	Requisitos eléctricos	12	Spécifications électriques	20
Water Supply Requirements	5	Requisitos del suministro de agua	12	Spécifications de l'alimentation en eau	20
INSTALLATION INSTRUCTIONS	5	INSTRUCCIONES DE INSTALACIÓN	13	INSTRUCTIONS D'INSTALLATION	21
Unpack the Refrigerator	5	Desempaque el refrigerador	13	Déballage du réfrigérateur	21
Install New Water Line	5	Cómo instalar una tubería de agua nueva	13	Installation d'une nouvelle canalisation d'eau	21
Connect Water Supply	6	Conexión del suministro de agua	14	Raccordement à la canalisation d'eau	22
Plug in Refrigerator	7	Cómo enchufar el refrigerador	15	Brancher le réfrigérateur	23
Prepare the Water System	7	Preparación del sistema de agua	15	Préparer le système d'eau	23
Level Refrigerator	7	Cómo nivelar el refrigerador	15	Nivellement du réfrigérateur	23
Door Height Adjustment	8	Cómo ajustar la altura de la puerta	16	Ajustement de la hauteur des portes	24
Complete Installation	8	Complete la instalación	16	Achever l'installation	24

Assistance or Service

If You Have Questions

If you have questions about operating, cleaning or maintaining your refrigerator, see the Use & Care Guide.

If You Need Service

Maintain the quality built into your refrigerator by calling an authorized service company.

To locate an authorized service company, see the Use & Care Guide for the number to call, phone the dealer from whom you purchased the refrigerator, or check the yellow pages of your local phone directory.

Keep this book and your sales slip together for future reference. You must provide proof of purchase or installation date for in-warranty service.

Write down the following information about your appliance to help you obtain assistance or service if you ever need it. You will need to know your complete model number and serial number. You can find this information on the model and serial number label, located on the inside wall of the refrigerator compartment.

Dealer name _____

Serial number _____

Address _____

Phone number _____

Model number _____

Purchase date _____

REFRIGERATOR SAFETY

Your safety and the safety of others are very important.

We have provided many important safety messages in this manual and on your appliance. Always read and obey all safety messages.



This is the safety alert symbol.

This symbol alerts you to potential hazards that can kill or hurt you and others.

All safety messages will follow the safety alert symbol and either the word "DANGER" or "WARNING." These words mean:

⚠ DANGER

You can be killed or seriously injured if you don't **immediately** follow instructions.

⚠ WARNING

You can be killed or seriously injured if you don't follow instructions.

All safety messages will tell you what the potential hazard is, tell you how to reduce the chance of injury, and tell you what can happen if the instructions are not followed.

INSTALLATION REQUIREMENTS

Tools and Parts

IMPORTANT:

- Observe all governing codes and ordinances.
- Installer: Leave Installation Instructions with homeowner.
- Homeowner: Keep Installation Instructions for future reference and for the local electrical inspector's use.
- Keep cardboard shipping piece or plywood under refrigerator until it is installed in the operating position.
- Comply with installation specifications and dimensions.
- Remove any moldings or decorative panels from kitchen cabinets that prevent the refrigerator from being serviced.
- Contact a qualified electrical installer.

TOOLS NEEDED:

Gather the required tools and parts before starting installation. Read and follow the instructions provided with any tools listed here.

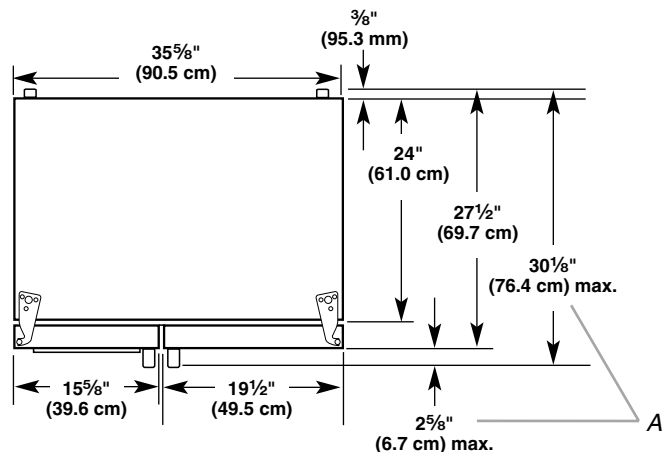
- | | |
|--|------------------------------------|
| ■ Hand drill or electric drill (properly grounded) | ■ 7/16" and 1/2" open-end wrenches |
| ■ 1/4" nut driver and drill bit | ■ Two adjustable wrenches |
| ■ Flat-blade screwdriver | ■ 3/8" and 1/2" socket wrenches |
| ■ 5/16" or adjustable wrench | |

PARTS NEEDED:

- Your refrigerator dealer has a kit available with a 1/4" (6.35 mm) saddle-type shutoff valve, a union, and copper tubing.
- Or you can purchase a 1/4" (6.35 mm) copper tubing with shutoff valve and a 1/4" (6.35 mm) compression fitting (coupling).
- Depending on water line connections, you may also need a 1/4" (6.35 mm) nut and 1/4" (6.35 mm) ferrule.

Product Dimensions

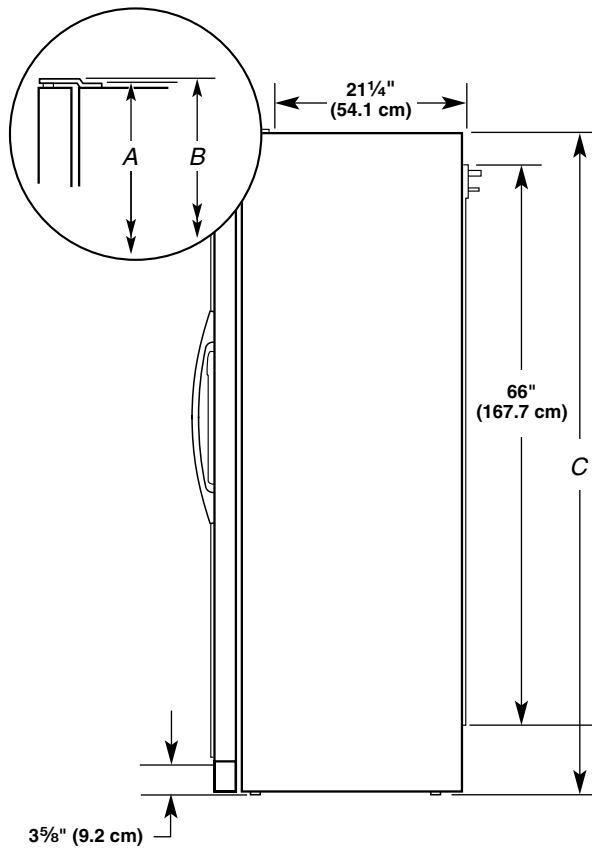
Top View



A. Dimensions may vary based on the model

Side View

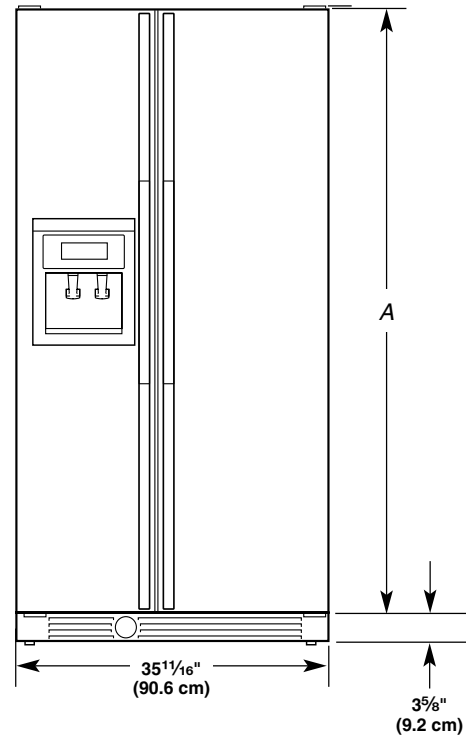
- Height dimensions are shown with the leveling legs extended to the minimum height of ¼" (6.35 mm) below the refrigerator.
- The power cord is 66" (167.7 cm) long.
- The water line attached to the back of the refrigerator is 78" (198.1 cm) long.



Model Size	A	B	C
23' (654 L)	68 ³ / ₄ " (174.6 cm)	68 ⁷ / ₈ " (175.0 cm)	68 ¹ / ₂ " (174.0 cm)
25' (694 L)	71 ³ / ₄ " (182.2 cm)	71 ⁷ / ₈ " (182.5 cm)	71 ¹ / ₂ " (181.6 cm)

When leveling legs are fully extended to 1" (25 mm) below the refrigerator, add ¾" (19 mm) to the height dimensions.

Front View



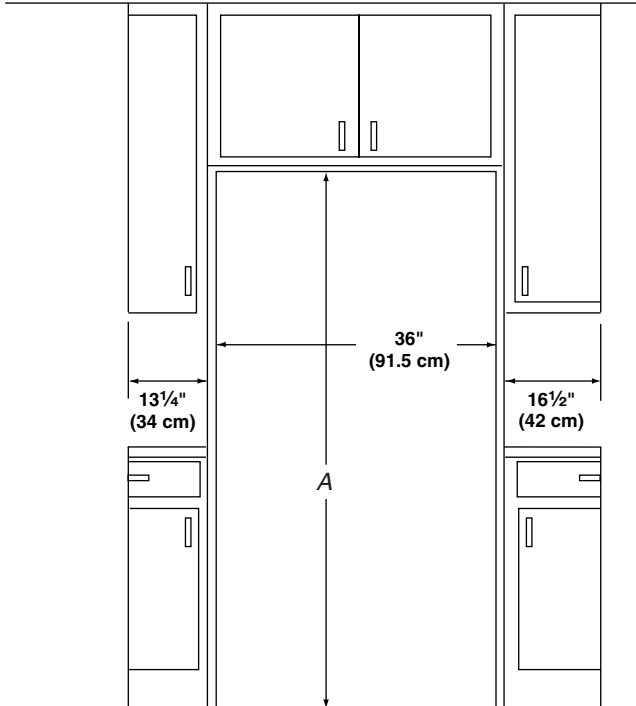
Model Size	Height A
23' (654 L)	64 ⁷ / ₈ " (164.8 cm)
25' (694 L)	67 ³ / ₄ " (172.1 cm)

Opening Dimensions

- Height dimensions are shown with the leveling legs extended to the minimum height of $\frac{1}{4}$ " (6.35 mm) below the refrigerator.

NOTE: When leveling legs are fully extended to 1" (25 mm) below the refrigerator, add $\frac{3}{4}$ " (19 mm) to the height dimensions.

- Minimum fixed wall position is $13\frac{1}{4}$ " (34 cm) from the freezer door and $16\frac{1}{2}$ " (42 cm) from the refrigerator door.



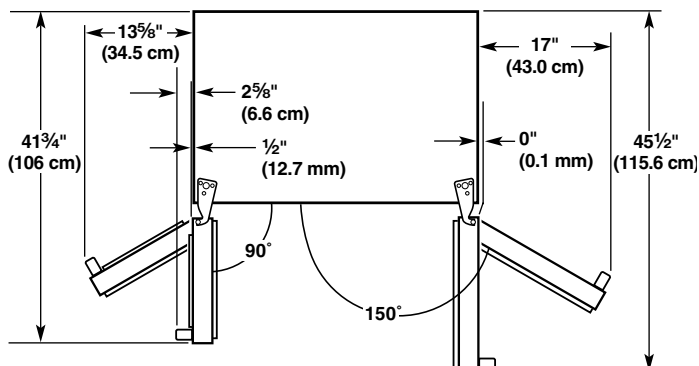
Model Size	Height A Standard Cabinet	Height A Full-overlay*
23' (654 L)	69" (175.3 cm)	69 $\frac{1}{8}$ " (175.6 cm)
25' (694 L)	72" (182.9 cm)	72 $\frac{1}{8}$ " (183.2 cm)

*For full-overlay cabinet doors with a trim kit, the opening height must be adjusted as shown.

Door Swing Dimensions

Location must permit doors to open to a minimum of 150°. Allow $13\frac{1}{4}$ " (34 cm) minimum space between the side wall and the freezer side of the refrigerator. Allow $16\frac{1}{2}$ " (42 cm) minimum space between the side wall and the refrigerator side.

NOTE: Dimensions may vary based on model.



Location Requirements

⚠ WARNING



Explosion Hazard

Keep flammable materials and vapors, such as gasoline, away from refrigerator.

Failure to do so can result in death, explosion, or fire.

NOTES:

- The cabinet depth refrigerator can be installed into a recessed opening, at the end of cabinets or as a freestanding refrigerator.
- If you are installing the refrigerator to fit flush with the front of the base cabinets, all shoe molding and baseboards must be removed from the rear of the refrigerator opening.
- For full-overlay cabinet doors, the height of the opening must be 69 $\frac{1}{8}$ " (175.6 cm).
- Location should permit doors to open fully. See the "Door Swing Dimensions" section.
- Do not install the refrigerator near an oven, radiator, or other heat source, nor in a location where the temperature will fall below 55°F (13°C).
- Floor must support refrigerator weight (more than 600 lbs [272 kg], door panels and contents).

Electrical Requirements

⚠ WARNING



Electrical Shock Hazard

Plug into a grounded 3 prong outlet.

Do not remove ground prong.

Do not use an adapter.

Do not use an extension cord.

Failure to follow these instructions can result in death, fire, or electrical shock.

Before you move your refrigerator into its final location, it is important to make sure you have the proper electrical connection.

Recommended Grounding Method

A 115 Volt, 60 Hz., AC only 15- or 20-amp fused, grounded electrical supply is required. It is recommended that a separate circuit serving only your refrigerator be provided. Use an outlet that cannot be turned off by a switch. Do not use an extension cord.

IMPORTANT: If this product is connected to a GFCI (Ground Fault Circuit Interrupter) protected outlet, nuisance tripping of the power supply may occur, resulting in loss of cooling. Food quality and flavor may be affected. If nuisance tripping has occurred, and if the condition of the food appears poor, dispose of it.

NOTE: Before performing any type of installation, cleaning, or removing a light bulb, turn the control (Thermostat, Refrigerator or Freezer Control depending on the model) to OFF and then disconnect the refrigerator from the electrical source. When you are finished, reconnect the refrigerator to the electrical source and reset the control (Thermostat, Refrigerator or Freezer Control depending on the model) to the desired setting.

Water Supply Requirements

Gather the required tools and parts before starting installation. Read and follow the instructions provided with any tools listed here.

TOOLS NEEDED:

- Flat-blade screwdriver
- ¼" Drill bit
- 7/16" and ½" Open-end or two adjustable wrenches
- Hand drill or electric drill (properly grounded)
- ¼" nut driver

NOTE: Your refrigerator dealer has a kit available with a ¼" (6.35 mm) saddle-type shutoff valve, a union, and copper tubing. Before purchasing, make sure a saddle-type valve complies with your local plumbing codes. Do not use a piercing-type or ¾" (4.76 mm) saddle valve which reduces water flow and clogs more easily.

IMPORTANT:

- All installations must meet local plumbing code requirements.
- Use copper tubing and check for leaks. Install copper tubing only in areas where the household temperatures will remain above freezing.

Water Pressure

A cold water supply with water pressure of between 30 and 120 psi (207 - 827 kPa) is required to operate the water dispenser and ice maker. If you have questions about your water pressure, call a licensed, qualified plumber.

Reverse Osmosis Water Supply

IMPORTANT: The pressure of the water supply coming out of a reverse osmosis system going to the water inlet valve of the refrigerator needs to be between 30 and 120 psi (207 - 827 kPa).

If a reverse osmosis water filtration system is connected to your cold water supply, the water pressure to the reverse osmosis system needs to be a minimum of 40 to 60 psi (276 to 414 kPa).

If the water pressure to the reverse osmosis system is less than 40 to 60 psi (276 to 414 kPa):

- Check to see whether the sediment filter in the reverse osmosis system is blocked. Replace the filter if necessary.
- Allow the storage tank on the reverse osmosis system to refill after heavy usage.
- If your refrigerator has a water filter, it may further reduce the water pressure when used in conjunction with a reverse osmosis system. Remove the water filter. See "Water Filtration System" in the Use & Care Guide.

If you have questions about your water pressure, call a licensed, qualified plumber.

INSTALLATION INSTRUCTIONS

Unpack the Refrigerator

⚠ WARNING

Excessive Weight Hazard

Use two or more people to move and install refrigerator.

Failure to do so can result in back or other injury.

Remove the Packaging

If the ice storage bin is located on the door, remove the temporary shield from underneath the ice storage bin. See "Ice Maker and Storage Bin."

Dispose of/recycle all packaging materials. Do not use sharp instruments, rubbing alcohol, flammable fluids, or abrasive cleaners to remove tape or glue. These products can damage the surface of your refrigerator.

IMPORTANT:

- Use ¾" socket wrench to remove skids.
- All four leveling legs must contact the floor to support and stabilize the full weight of the refrigerator.

When Moving Your Refrigerator:

Your refrigerator is heavy. When moving the refrigerator for cleaning or service, be sure to protect the floor.

Always pull the refrigerator straight out when moving it.

Do not wiggle or "walk" the refrigerator when trying to move it, as floor damage could occur.

Clean Before Using

After you remove all of the package materials, clean the inside of your refrigerator before using it. See the cleaning instructions in the Use & Care Guide.

Important information to know about glass shelves and covers:

Do not clean glass shelves or covers with warm water when they are cold. Shelves and covers may break if exposed to sudden temperature changes or impact, such as bumping. For your protection, tempered glass is designed to shatter into many small, pebble-size pieces. This is normal. Glass shelves and covers are heavy. Use special care when removing them to avoid impact from dropping.

Install New Water Line (if required)

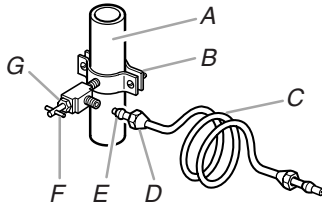
TOOLS NEEDED:

- Flat-blade screwdriver
- ¼" Drill bit
- 7/16" and ½" Open-end or two adjustable wrenches
- Hand drill or electric drill (properly grounded)

1. Turn OFF main water supply. Turn ON nearest faucet long enough to clear line of water.
2. Find a ½" (12.70 mm) to 1¼" (3.18 cm) vertical COLD water pipe near the refrigerator.

NOTE: Horizontal pipe will work, but the following procedure must be followed: Drill on the top side of the pipe, not the bottom. This will help keep water away from the drill. This also keeps normal sediment from collecting in the valve.

- Determine the length of copper tubing you need. Measure from the connection on the lower left rear of refrigerator to the water pipe. Add 7 ft (2.1 m) to allow for cleaning. Use 1/4" (6.35 mm) O.D. (outside diameter) copper tubing. Be sure both ends of copper tubing are cut square.
- Using a grounded drill, drill a 1/4" (6.35 mm) hole in the cold water pipe you have selected.



A. Cold water pipe
B. Pipe clamp
C. Copper tubing
D. Compression nut
E. Compression sleeve
F. Shutoff valve
G. Packing nut

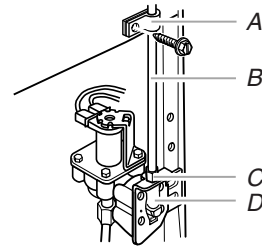
- Fasten shutoff valve to cold water pipe with pipe clamp. Be sure outlet end is solidly in the 1/4" (6.35 mm) drilled hole in the water pipe and that washer is under the pipe clamp. Tighten packing nut. Tighten the pipe clamp screws carefully and evenly so washer makes a watertight seal. Do not overtighten or you may crush the copper tubing, especially if soft (coiled) copper tubing is used. Now you are ready to connect the copper tubing.
- Slip compression sleeve and compression nut on copper tubing as shown in the diagram. Insert the end of the tubing into the outlet end of the shutoff valve as far as it will go. Screw the compression nut onto the outlet end with an adjustable wrench. Do not overtighten.
- Place the free end of the tubing into a container or sink, turn ON main water supply and flush out tubing until water is clear. Turn OFF the shutoff valve on the water pipe.

Connect Water Supply

Style 1 - Connection to Water Valve

- Unplug refrigerator or disconnect power.
- Before attaching copper tubing to refrigerator, flush at least 2 qt (1.9 L) of water through the copper tubing and into a bucket to get rid of any particles in the water line.
- Check for leaks around the saddle valve. Do not overtighten clamp or sleeve. This will crush copper tubing.
- Attach the copper tube to the valve inlet using a compression nut and sleeve as shown. Tighten the compression nut. Do not overtighten.
- Use the tube clamp on the back of the refrigerator to secure the tubing to the refrigerator as shown. This will help prevent damage to the tubing when the refrigerator is pushed back against the wall.
- Turn shutoff valve ON.

- Check for leaks. Tighten any connections (including connections at the valve) or nuts that leak.



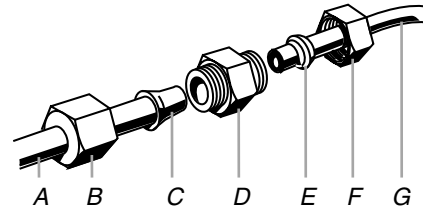
A. Tube clamp
B. Copper tubing
C. Compression nut
D. Valve inlet

- The ice maker is equipped with a built-in water strainer. If your water conditions require a second water strainer, install it in the 1/4" (6.35 mm) water line at either tube connection. Obtain a water strainer from your nearest appliance dealer.

Style 2 - Connection to Water Line

- Unplug refrigerator or disconnect power.
- Remove and discard the shipping tape and the black nylon plug from the gray, coiled water tubing on the rear of the refrigerator.
- Before attaching copper tubing to refrigerator, flush at least 2 qt (1.9 L) of water through the copper tubing and into a bucket to get rid of any particles in the water line.
- Check for leaks around the saddle valve. Do not overtighten clamp or sleeve. This will crush copper tubing.
- If the gray water tube supplied with the refrigerator is not long enough, a 1/4" x 1/4" coupling is needed in order to connect the water tubing to an existing household water line. Thread the provided nut onto the coupling on the end of the copper tubing.

NOTE: Tighten the nut by hand. Then tighten it with a wrench two more turns. Do not overtighten.



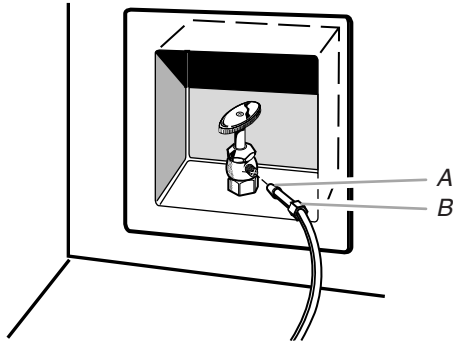
A. Refrigerator water tubing
B. Nut (provided)
C. Bulb
D. Coupling (provided)
E. Ferrule (purchased)
F. Nut (purchased)
G. Household water line

- Turn shutoff valve ON.
- Check for leaks. Tighten any nuts or connections (including connections at the valve) that leak.

Style 3 - Connection to Shut-off Valve

1. Unplug refrigerator or disconnect power.
2. Remove and discard the shipping tape and the black nylon plug from the gray, coiled water tubing on the rear of the refrigerator.
3. Before attaching copper tubing to refrigerator, flush at least 2 qt (1.9 L) of water through the copper tubing and into a bucket to get rid of any particles in the water line.
4. Check for leaks around the saddle valve. Do not overtighten clamp or sleeve. This will crush copper tubing.
5. Push the bulb end of the tubing into the water valve as far as it will go. Thread the provided nut onto the water valve as shown.

NOTE: Tighten the nut by hand. Then tighten it with a wrench two more turns. Do not overtighten.



A. Bulb
B. Nut (provided)

6. Turn shutoff valve ON.
7. Check for leaks. Tighten any nuts or connections (including connections at the valve) that leak.

Plug in Refrigerator

⚠ WARNING



Electrical Shock Hazard

Plug into a grounded 3 prong outlet.

Do not remove ground prong.

Do not use an adapter.

Do not use an extension cord.

Failure to follow these instructions can result in death, fire, or electrical shock.

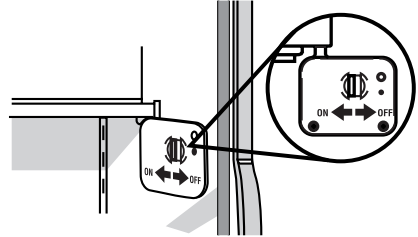
1. Plug into a grounded 3 prong outlet.

Prepare the Water System

Please read before using the water system.

Immediately after installation, follow the steps below to make sure that the water system is properly cleaned.

1. Open the freezer door and turn off the ice maker. The On/Off switch is located on the top right side of the freezer compartment. Move the switch to the OFF (right) setting as shown.



NOTES:

- Make sure the base grille filter is properly installed and the cap is in the horizontal position.
 - **Do not use with water that is microbiologically unsafe or of unknown quality without adequate disinfection before or after the system. Systems certified for cyst reduction may be used on disinfected waters that may contain filterable cysts.**
2. Use a sturdy container to depress the water dispenser bar until the water begins to flow. Flush the water system by dispensing and discarding 1.5 gal. (5.4 L) of water. Cleaning the system will take approximately 3 minutes and will help clear air from the line. Additional flushing may be required in some households.

NOTE: As air is cleared from the system, water may spurt out of the dispenser.
 3. Open the freezer door and turn on the ice maker. Move the switch to the ON (left) position. See the Use & Care Guide for further instructions on the operation of your ice maker.
 - Allow 24 hours to produce the first batch of ice.
 - Discard the first three batches of ice produced.
 - Depending on your model, you may want to select the maximum ice feature to increase the production of ice.

Level Refrigerator

IMPORTANT: All four leveling legs must contact the floor to support and stabilize the full weight of the refrigerator.

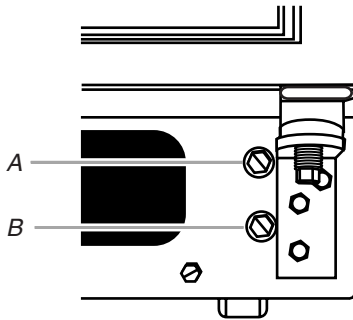
Remove the Base Grille

1. Open the refrigerator doors to 90°.
2. Remove base grille. Grasp the grille with both hands. Lift up and tilt the top of the grille toward you.

NOTE: Do not remove the Tech Sheets fastened behind the grille.

Level the Refrigerator

There is a set of two leveling bolts on each side of the refrigerator behind the base grille. The top bolts adjust the rear of the refrigerator, and the bottom bolts adjust the front of the refrigerator.

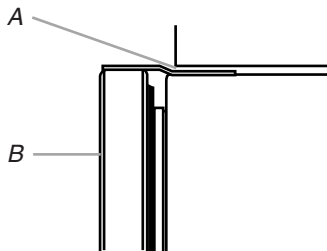


A. Rear leveling bolt (top)
B. Front leveling bolt (bottom)

1. Use a ½" (12.70 mm) socket wrench to adjust the leveling bolts. Turn the leveling bolts to the right to raise or to the left to lower the refrigerator. It may take several turns to adjust the tilt of the refrigerator.

NOTE: Do not unscrew the leveling bolts too much when lowering the refrigerator. The bolt head will start to come away from the refrigerator when in the lowest position.

2. Adjust the front leveling bolts to bring the refrigerator top parallel with the cabinet above the refrigerator.
 - For standard cabinets, leave approximately ⅛" (3.18 mm) gap between the refrigerator's top hinges and the cabinets.
 - For full-overlay cabinets, leave ¼" (6.35 mm) gap between the refrigerator's top hinges and the cabinets.
 - If you do not have a cabinet above the refrigerator, simply adjust the refrigerator to make it level.



A. Top hinges
B. Front of the refrigerator

3. Adjust the rear leveling bolt to bring the refrigerator level with the side cabinets or cabinet end panels.
4. If you want, you may now use the four leveling bolts to raise the refrigerator to reduce the gap between the refrigerator top hinge and the cabinet opening. Check that all four leveling legs still touch the floor and that the cabinet doors above the refrigerator open all the way.

Replace Base Grille

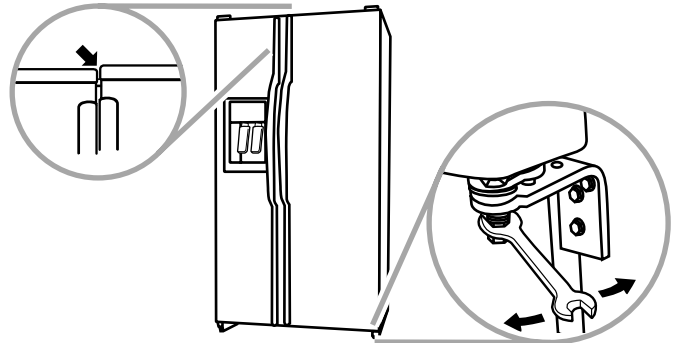
1. Open the refrigerator doors to 90°.
2. Replace the base grille. Place the lower clips into the bottom of the refrigerator and roll the grille up until it snaps into place.

Door Height Adjustment

TOOLS NEEDED: ⅝" or adjustable wrench.

IMPORTANT: Models are preset with a quarter's-thickness difference in door height and may not need adjusting.

If necessary after the refrigerator is loaded with food, follow the steps below to adjust the door height up or down.



1. Locate the height adjustment bolt on the bottom hinge of the refrigerator door.

NOTE: For easier access to the height adjustment bolt, the refrigerator door should be closed.
2. Turn the height adjustment bolt using the ⅝" or adjustable wrench.
 - To raise the height, turn the bolt to the right.
 - To lower the height, turn the bolt to the left.
3. Check to make sure the doors are even at the top and bottom. If necessary, continue to turn the height adjustment bolt.

Complete Installation

1. Turn water supply line valve to "Open" position.
2. Turn refrigerator switch to ON position. Wait a few minutes. Check water line connections for leaks.
3. Set refrigerator and freezer compartment controls to the midpoint setting. Check that the compressor is operating properly and that all lights are working.
4. Flush water system before using. See "Prepare the Water System."

NOTE: If construction will continue after refrigerator has been installed, set controls to OFF.

If refrigerator does not operate

- Check that the circuit breaker is not tripped or household fuse blown.
- Check that the power supply cord is plugged into a grounded 3 prong outlet.
- See "Troubleshooting" in the Use & Care Guide.

INSTRUCCIONES DE INSTALACIÓN

Ayuda o Servicio Técnico

Si tiene preguntas

Si usted tiene preguntas acerca del funcionamiento, la limpieza o el mantenimiento de su refrigerador, vea el Manual de uso y cuidado.

Si necesita servicio

Para mantener la calidad de su refrigerador, llame a una compañía de servicio autorizado.

Para ubicar una compañía de servicio autorizada, vea el Manual de uso y cuidado para saber a qué número tiene que llamar, llame al distribuidor en donde compró el refrigerador o fíjese en las páginas amarillas de su guía telefónica local.

Guarde este libro y su comprobante de compra juntos para referencia futura. Usted deberá proporcionar evidencia de la compra o una fecha de instalación para obtener servicio bajo la garantía.

Escriba la siguiente información acerca de su electrodoméstico para ayudarle a obtener asistencia o servicio técnico si alguna vez llegara a necesitarlo. Deberá tener a mano el número completo del modelo y de la serie. Puede encontrar esta información en la etiqueta con el número de modelo y de serie que está ubicada en la pared interior del compartimiento del refrigerador.

Nombre del distribuidor _____

Número de serie _____

Dirección _____

Número de teléfono _____

Número del modelo _____

Fecha de compra _____

SEGURIDAD DEL REFRIGERADOR

Su seguridad y la seguridad de los demás es muy importante.

Hemos incluido muchos mensajes importantes de seguridad en este manual y en su electrodoméstico. Lea y obedezca siempre todos los mensajes de seguridad.



Este es el símbolo de advertencia de seguridad.

Este símbolo le llama la atención sobre peligros potenciales que pueden ocasionar la muerte o una lesión a usted y a los demás.

Todos los mensajes de seguridad irán a continuación del símbolo de advertencia de seguridad y de la palabra "PELIGRO" o "ADVERTENCIA". Estas palabras significan:

⚠ PELIGRO

Si no sigue las instrucciones de inmediato, usted puede morir o sufrir una lesión grave.

⚠ ADVERTENCIA

Si no sigue las instrucciones, usted puede morir o sufrir una lesión grave.

Todos los mensajes de seguridad le dirán el peligro potencial, le dirán cómo reducir las posibilidades de sufrir una lesión y lo que puede suceder si no se siguen las instrucciones.

REQUISITOS DE INSTALACIÓN

Piezas y herramientas

IMPORTANTE:

- Observe todos los códigos y reglamentos aplicables.
- Instalador: Deje las instrucciones de instalación con el propietario.
- Propietario: Guarde las instrucciones de instalación para referencia futura y para que puedan ser usadas por el inspector eléctrico local.
- Mantenga un tramo de cartón de empaque o de madera contrachapada debajo del refrigerador hasta que lo instale en su ubicación final.
- Cumpla con las especificaciones y medidas de instalación.
- Quite las molduras o los paneles decorativos de los armarios de la cocina que impidan que se le pueda dar servicio al refrigerador.
- Contacte a un instalador electricista calificado.

HERRAMIENTAS NECESARIAS:

Reúna las herramientas y piezas necesarias antes de comenzar la instalación. Lea y siga las instrucciones provistas con cualquiera de las herramientas enlistadas aquí.

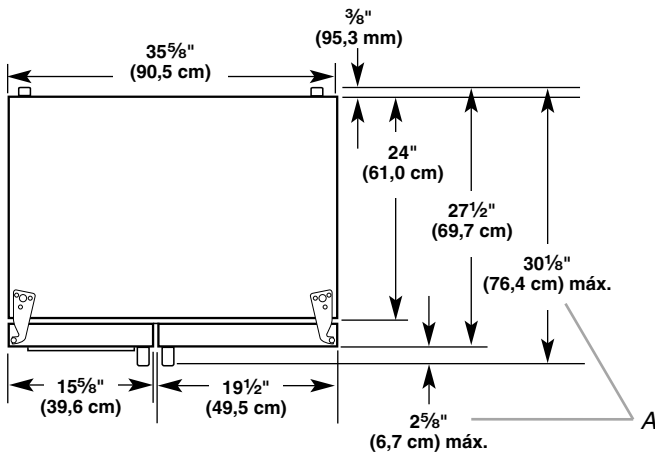
- Taladro manual o eléctrico (debidamente conectado a tierra)
- Llave para tuercas de 1/4" y broca
- Destornillador de hoja plana
- Llave de 5/16" o llave ajustable
- Llaves de boca de 7/16" y 1/2"
- Dos llaves ajustables
- Llaves de cubo de 3/8" y 1/2"

PIEZAS NECESARIAS:

- El distribuidor de su refrigerador tiene un juego disponible de válvula de cierre tipo montura de 1/4" (6,35 mm), una unión y tubería de cobre.
- O usted puede comprar una tubería de cobre de 1/4" (6,35 mm) con válvula de cierre y un accesorio de compresión (acoplamiento) de 1/4" (6,35 mm).
- Dependiendo de las conexiones de la línea de agua, usted también puede necesitar una tuerca de 1/4" (6,35 mm) y una férula de 1/4" (6,35 mm).

Medidas del producto

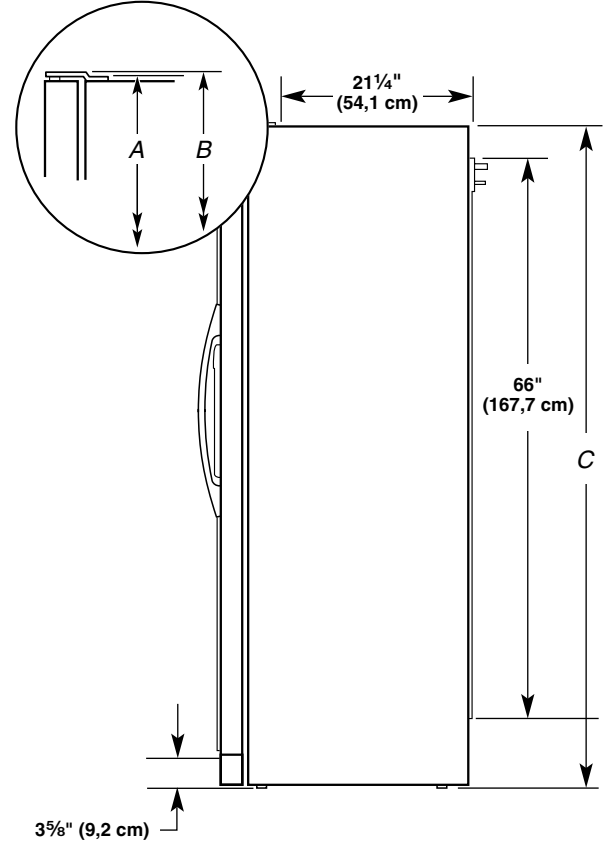
Vista superior



A. Las dimensiones pueden variar según el modelo

Vista Lateral

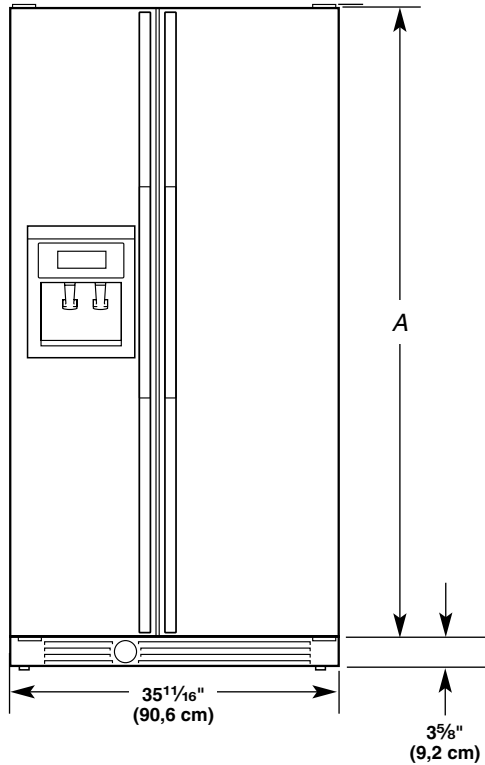
- Las medidas de altura indicadas consideran las patas niveladoras extendidas como mínimo 1/4" (6,35 mm) por debajo del refrigerador.
- El cable de suministro de energía es de 66" (167,7 cm) de largo.
- La línea de agua ajustada a la parte posterior del refrigerador es de 78" (198,1 cm) de largo.



Tamaño del modelo	A	B	C
23' (654 L)	68 3/4" (174,6 cm)	68 7/8" (175,0 cm)	68 1/2" (174,0 cm)
25' (694 L)	71 3/4" (182,2 cm)	71 7/8" (182,5 cm)	71 1/2" (181,6 cm)

Si las patas niveladoras están totalmente extendidas 1" (25 mm) por debajo del refrigerador, agregue 3/4" (19 mm) a las medidas de altura.

Vista frontal



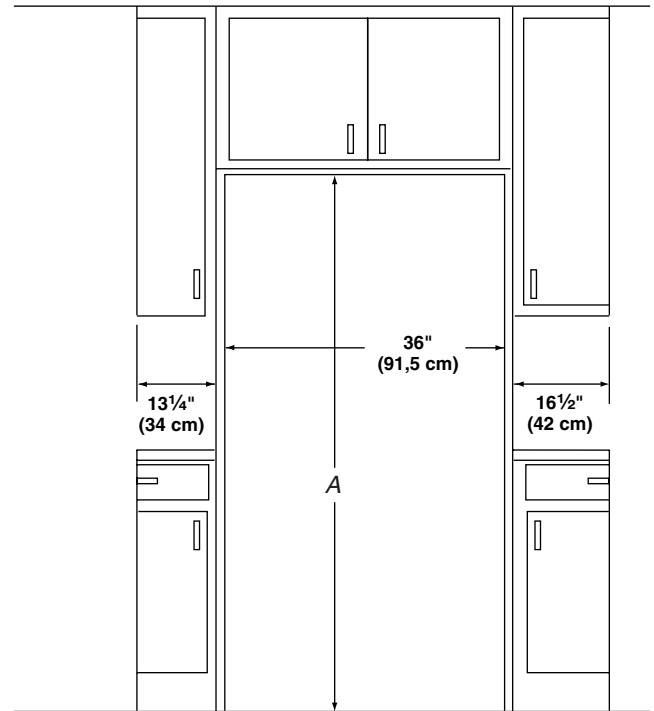
Tamaño del modelo	Altura A
23' (654 L)	64 ⁷ / ₈ " (164,8 cm)
25' (694 L)	67 ³ / ₄ " (172,1 cm)

Medidas de abertura

- Las medidas de altura indicadas consideran las patas niveladoras extendidas como mínimo $\frac{1}{4}$ " (6,35 mm) por debajo del refrigerador.

NOTA: Si las patas niveladoras están totalmente extendidas 1" (25 mm) por debajo del refrigerador, agregue $\frac{3}{4}$ " (19 mm) a las medidas de altura.

- La posición fija mínima respecto de la pared es de $13\frac{1}{4}$ " (34 cm) desde la puerta del congelador y de $16\frac{1}{2}$ " (42 cm) desde la puerta del refrigerador.



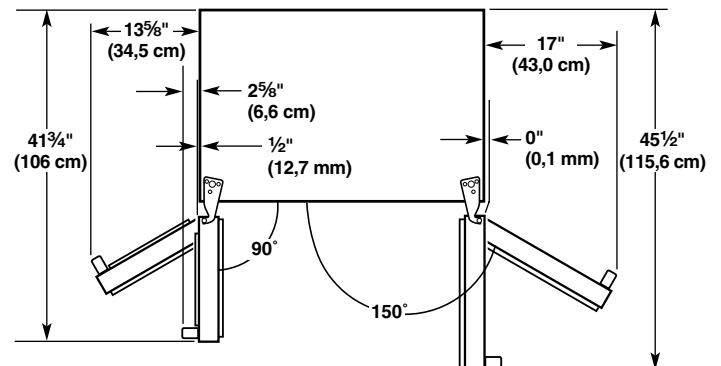
Tamaño del modelo	Altura A Armario estándar	Altura A Completamente recubierto*
23' (654 L)	69" (175,3 cm)	69 ¹ / ₈ " (175,6 cm)
25' (694 L)	72" (182,9 cm)	72 ¹ / ₈ " (183,2 cm)

*Para las puertas de armarios completamente recubiertos con un juego de adornos, debe ajustarse la altura de la abertura según se muestra.

Medidas de oscilación de las puertas

La ubicación debe permitir que las puertas se abran a un mínimo de 150°. Deje un espacio mínimo de $13\frac{1}{4}$ " (34 cm) entre la pared y el lado del congelador del refrigerador. Deje un espacio mínimo de $16\frac{1}{4}$ " (42 cm) entre la pared y el lado del refrigerador.

NOTA: Las dimensiones pueden variar según el modelo.



Requisitos de ubicación

⚠ ADVERTENCIA



Peligro de Explosión

Mantenga los materiales y vapores inflamables, tales como gasolina, alejados del refrigerador.

No seguir esta instrucción puede ocasionar la muerte, explosión, o incendio.

NOTAS:

- El refrigerador con profundidad de armario puede instalarse empotrado, al final de los armarios o separado.
- Si está instalando el refrigerador para estar alineado con el frente de los armarios de base, se deben quitar todas las molduras y los zócalos de la parte posterior de la abertura del refrigerador.
- Para puertas del armario completamente recubiertas, la altura de la abertura debe ser de 69 $\frac{1}{8}$ " (175,6 cm).
- La ubicación deberá permitir que las puertas se abran completamente. Vea la sección "Medidas de oscilación de las puertas".
- No instale el refrigerador cerca de un horno, radiador u otra fuente de calor ni en una ubicación en la que la temperatura puede bajar de los 55°F (13°C).
- El piso debe soportar el peso del refrigerador (más de 600 lbs [272 kg], los paneles de las puertas y el contenido).

Requisitos eléctricos

⚠ ADVERTENCIA



Peligro de Choque Eléctrico

Conecte a un contacto de pared de conexión a tierra de 3 terminales.

No quite la terminal de conexión a tierra.

No use un adaptador.

No use un cable eléctrico de extensión.

No seguir estas instrucciones puede ocasionar la muerte, incendio o choque eléctrico.

Antes de mover el refrigerador a su posición definitiva, es importante asegurarse que Ud. tiene la conexión eléctrica adecuada.

Método de conexión a tierra recomendado

Se requiere una fuente de energía eléctrica de 115 Voltios, 60 Hz., CA solamente y con fusibles de 15 ó 20 amperios, debidamente conectados a tierra. Se recomienda que se use un circuito separado sólo para su refrigerador. Use un tomacorriente que no se puede apagar con un interruptor. No use un cable eléctrico de extensión.

IMPORTANTE: Si este producto está conectado a un tomacorriente protegido por GFCI (Ground Fault Circuit Interrupter- Interruptor de circuito de falla eléctrica de puesta a tierra), puede ocurrir un disparo molesto del suministro de corriente, lo que resultará en la pérdida de refrigeración. Esto puede afectar la calidad y el sabor de los alimentos. Si ha ocurrido un disparo molesto, y el alimento aparenta estar en malas condiciones, deshágase del mismo.

NOTA: Antes de realizar cualquier tipo de instalación, limpieza o de quitar un foco de luz, ponga el control (del termostato, del refrigerador o del congelador dependiendo del modelo) en la posición OFF (apagado) y luego desconecte el refrigerador de la fuente de energía. Cuando Ud. haya terminado, reconecte el refrigerador a la fuente de energía eléctrica y vuelva a poner el control (del termostato, del refrigerador o del congelador dependiendo del modelo) en la posición deseada.

Requisitos del suministro de agua

Reúna las herramientas y piezas necesarias antes de comenzar la instalación. Lea y siga las instrucciones provistas con cualquiera de las herramientas enlistadas aquí.

HERRAMIENTAS NECESARIAS:

- Destornillador de hoja plana
- Broca de 1/4"
- Llaves de boca de 7/16" y 1/2" o dos llaves ajustables
- Taladro manual o eléctrico (debidamente conectado a tierra)
- Llave para tuercas de 1/4"

NOTA: El distribuidor de su refrigerador tiene un juego disponible con una válvula de cierre tipo montura de 1/4" (6,35 mm), una unión y tubería de cobre. Antes de comprar, asegúrese que la válvula tipo montura cumpla con los códigos de plomería de su localidad. No use una válvula perforadora o una válvula de montura de 3/16" (4,76 mm) que reduce el flujo de agua y se obstruye con más facilidad.

IMPORTANTE:

- Todas las instalaciones deben hacerse de acuerdo a los requerimientos locales de plomería.
- Use tuberías de cobre y revise si hay fugas. Instale tubería de cobre sólo en áreas donde la temperatura va a permanecer por encima del punto de congelación.

Presión del agua

Se necesita un suministro de agua fría con presión de agua entre 30 y 120 lbs/pulg² (207 a 827 kPa) para hacer funcionar el despachador de agua y la fábrica de hielo. Si usted tiene preguntas acerca de la presión de agua, llame a un plomero competente autorizado.

Suministro de agua de ósmosis inversa

IMPORTANTE: La presión del suministro de agua que sale de un sistema de ósmosis inversa y va a la válvula de entrada de agua del refrigerador necesitará ser entre 30 y 120 lbs/pulg² (207 a 827 kPa).

Si se conecta un sistema de filtración de agua de ósmosis inversa al suministro de agua fría, la presión de agua al sistema de ósmosis inversa necesitará ser de un mínimo de 40 a 60 lbs/pulg² (276 a 414 kPa).

Si la presión del agua del sistema de ósmosis inversa es menor de 40 a 60 lbs/pulg² (276 a 414 kPa):

- Fíjese si el filtro de sedimentos en el sistema de ósmosis inversa está bloqueado y reemplácelo si fuera necesario.
- Deje que se vuelva a llenar el tanque de almacenaje del sistema de ósmosis inversa después del uso intenso.

- Si su refrigerador tiene un cartucho del filtro de agua, se podrá reducir la presión aún más si se usa en conjunto con un sistema de ósmosis inversa. Quite el cartucho del filtro de agua. Vea "Sistema de filtración de agua" en el Manual de uso y cuidado.

Si tiene preguntas acerca de la presión del agua, llame a un plomero competente autorizado.

INSTRUCCIONES DE INSTALACIÓN

Desempaque el refrigerador

⚠ ADVERTENCIA

Peligro de Peso Excesivo

Use dos o más personas para mover e instalar el refrigerador.

No seguir esta instrucción puede ocasionar una lesión en la espalda u otro tipo de lesiones.

Cómo quitar los materiales de empaque

Si el depósito de hielo está ubicado en la puerta, quite la pantalla temporaria que se encuentra debajo del mismo. Vea "Fábrica de hielo y depósito".

Deshágase de todos los materiales de embalaje o recíclelos. No use instrumentos filosos, alcohol para fricciones, líquidos inflamables o productos de limpieza abrasivos para eliminar los restos de cinta o goma. Estos productos pueden dañar la superficie de su refrigerador.

IMPORTANTE:

- Use una llave de cubo de $\frac{3}{8}$ " para quitar la plataforma.
- Las cuatro patas niveladoras deberán tocar el piso para soportar y estabilizar el peso total del refrigerador.

Cómo mover su refrigerador:

Su refrigerador es muy pesado. Cuando mueva su refrigerador para limpiarlo o darle servicio, proteja el piso. Al mover el refrigerador, siempre tire directamente hacia afuera. No menee el refrigerador de lado a lado ni lo haga "caminar" cuando lo trate de mover ya que podría dañar el piso.

Cómo limpiar su refrigerador antes de usarlo

Una vez que usted haya quitado todos los materiales de empaque, limpie el interior de su refrigerador antes de usarlo. Vea las instrucciones de limpieza en el Manual de Uso y Cuidado.

Información importante para saber acerca de los estantes y tapas de vidrio:

No limpie los estantes y tapas de vidrio con agua caliente mientras están fríos. Los estantes y tapas pueden romperse si se exponen a cambios bruscos de temperatura o impacto, como sería un golpe brusco. Para su protección, el vidrio templado se ha diseñado para hacerse añicos. Esto es normal. Los estantes y tapas de vidrio son muy pesados. Tenga mucho cuidado al sacarlos para evitar que se dañen al caer.

Cómo instalar una tubería de agua nueva (si es necesario)

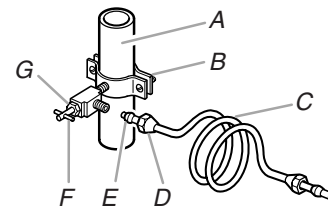
HERRAMIENTAS NECESARIAS:

- Destornillador de hoja plana
- Broca de $\frac{1}{4}$ "
- Llaves de boca de $\frac{7}{16}$ " y $\frac{1}{2}$ " o dos llaves ajustables
- Taladro manual o eléctrico (debidamente conectado a tierra)

1. CIERRE el suministro principal de agua. ABRA la llave de agua más cercana el tiempo suficiente para que la tubería de agua se vacíe.
2. Busque una tubería vertical de agua FRÍA de $\frac{1}{2}$ " (12,70 mm) a $1\frac{1}{4}$ " (3,18 cm) cerca del refrigerador.

NOTA: Una tubería horizontal funcionará, pero debe seguirse el procedimiento indicado a continuación: taladre por el lado de arriba de la tubería, no por debajo. Esto ayudará a mantener el agua alejada del taladro. Esto también evita que se acumule el sedimento normal en la válvula.

3. Determine la longitud de la tubería de cobre que necesite. Mida desde la conexión de la parte baja trasera izquierda del refrigerador hasta la tubería de agua. Agregue 7 pies (2,1 m) para poder mover el refrigerador para limpiarlo. Use tubería de cobre de $\frac{1}{4}$ " (6,35 mm) de diámetro externo. Asegúrese que ambos extremos de la tubería de cobre están cortados a escuadra.
4. Usando un taladro conectado a tierra, haga un orificio de $\frac{1}{4}$ " (6,35 mm) en la tubería de agua fría que Ud. eligió.



- A. Tubería de agua fría
- B. Abrazadera para tubería
- C. Tubería de cobre
- D. Tuerca de compresión
- E. Manga de compresión
- F. Válvula de cierre
- G. Tuerca de presión

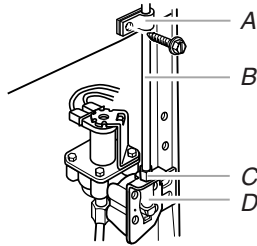
5. Sujete la válvula de cierre al tubo de agua fría empleando la abrazadera para tubería. Asegúrese de que el extremo de salida esté firmemente insertado en el orificio de $\frac{1}{4}$ " (6,35 mm) en la tubería de agua y que la arandela esté debajo de la abrazadera para tubería. Ajuste la tuerca de presión. Apriete los tornillos de la abrazadera para tubería con cuidado y en forma pareja de manera que la arandela provea un cierre hermético. No apriete demasiado porque se puede quebrar la tubería de cobre, especialmente si usa la tubería de cobre blanda (enrollada). Ahora está listo para conectar la tubería de cobre.
6. Deslice la manga de compresión y la tuerca de compresión sobre la tubería de cobre como se muestra en el gráfico. Inserte el extremo de la tubería en el extremo de salida hasta donde sea posible. Atornille la tuerca de compresión sobre el extremo de salida con una llave ajustable. No apriete demasiado.

- Coloque el extremo libre de la tubería dentro de un recipiente o fregadero, ABRA el suministro principal de agua para lavar la tubería hasta que el agua salga limpia. CIERRE la válvula de cierre del tubo de agua.

Conexión del suministro de agua

Estilo 1 - Conexión a la válvula de agua

- Desenchufe el refrigerador o desconecte el suministro de energía.
- Antes de fijar la tubería de cobre al refrigerador, deje correr por lo menos 2 qt (1,9 L) de agua a través de la tubería de cobre y dentro de una cubeta para eliminar cualquier partícula dentro de la tubería de agua.
- Busque fugas alrededor de la válvula tipo montura. No apriete demasiado la abrazadera o la manga. Se puede quebrar la tubería de cobre.
- Fije el tubo de cobre a la entrada de la válvula usando una tuerca de compresión y manga de compresión como se muestra. Ajuste la tuerca de compresión. No apriete demasiado.
- Use la abrazadera para tubería en la parte trasera del refrigerador para afianzar la tubería al refrigerador según se muestra. Esto ayudará a evitar daños a la tubería cuando el refrigerador se empuje nuevamente contra la pared.
- ABRA la válvula de cierre.
- Revise si hay fugas. Ajuste las conexiones (incluso las de la válvula) o tuercas que tienen fugas.



A. Abrazadera para tubería
B. Tubería de cobre
C. Tuerca de compresión
D. Entrada de la válvula

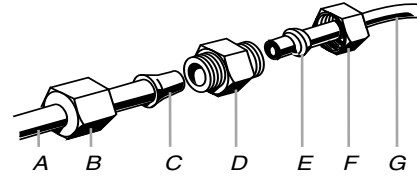
- La fábrica de hielo está equipada con un filtro de agua incorporado. Si las condiciones del agua local requieren un segundo filtro de agua, se debe instalar en la línea de agua de $\frac{1}{4}$ " (6,35 mm) en cualquiera de las conexiones de la tubería. Obtenga un filtro de agua del distribuidor de electrodomésticos más cercano a su domicilio.

Estilo 2 - Conexión a la línea de agua

- Desenchufe el refrigerador o desconecte el suministro de energía.
- Quite y deseche la cinta de empaque y el tapón de nailon negro de la tubería gris de agua enrollada en la parte trasera del refrigerador.
- Antes de fijar la tubería de cobre al refrigerador, deje correr por lo menos 2 qt (1,9 L) de agua a través de la tubería de cobre y dentro de una cubeta para eliminar cualquier partícula dentro de la tubería de agua.
- Busque fugas alrededor de la válvula tipo montura. No apriete demasiado la abrazadera o la manga. Se puede quebrar la tubería de cobre.

- Si el tubo de agua gris suministrado con el refrigerador no es suficientemente largo, se necesita un acoplamiento de $\frac{1}{4}$ " x $\frac{1}{4}$ " para conectar la tubería de agua a una línea doméstica de agua existente. Enrosque la tuerca provista sobre el acoplamiento en el extremo de la tubería de cobre.

NOTA: Apriete la tuerca a mano. Luego apriétela dos vueltas con una llave de tuercas. No apriete demasiado.



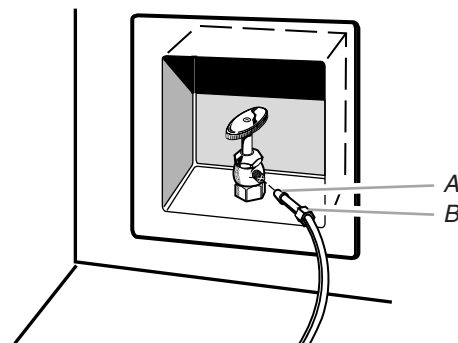
A. Tubería de agua al refrigerador
B. Tuerca (provista)
C. Bulbo
D. Acoplamiento (provisto)
E. Férula (adquirida)
F. Tuerca (adquirida)
G. Línea de agua de la casa

- ABRA la válvula de cierre.
- Revise si hay fugas. Apriete aquellas tuercas o conexiones que tengan fugas (incluidas las conexiones en la válvula).

Estilo 3 - Conexión a la válvula de cierre

- Desenchufe el refrigerador o desconecte el suministro de energía.
- Quite y deseche la cinta de empaque y el tapón de nailon negro de la tubería gris de agua enrollada en la parte trasera del refrigerador.
- Antes de fijar la tubería de cobre al refrigerador, deje correr por lo menos 2 qt (1,9 L) de agua a través de la tubería de cobre y dentro de una cubeta para eliminar cualquier partícula dentro de la tubería de agua.
- Busque fugas alrededor de la válvula tipo montura. No apriete demasiado la abrazadera o la manga. Se puede quebrar la tubería de cobre.
- Empuje el extremo del bulbo de la tubería dentro de la válvula de agua hasta que se detenga. Enrosque la tuerca provista sobre la válvula de agua como se muestra.

NOTA: Apriete la tuerca a mano. Luego apriétela 2 vueltas con una llave de tuercas. No apriete demasiado.



A. Bulbo
B. Tuerca (provista)

- ABRA la válvula de cierre.
- Revise si hay fugas. Apriete aquellas tuercas o conexiones que tengan fugas (incluidas las conexiones en la válvula).

Cómo enchufar el refrigerador

⚠ ADVERTENCIA



Peligro de Choque Eléctrico

Conecte a un contacto de pared de conexión a tierra de 3 terminales.

No quite la terminal de conexión a tierra.

No use un adaptador.

No use un cable eléctrico de extensión.

No seguir estas instrucciones puede ocasionar la muerte, incendio o choque eléctrico.

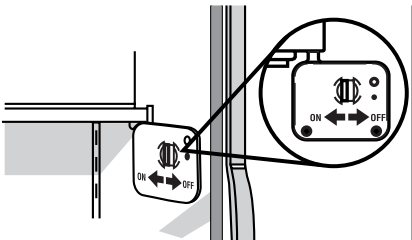
1. Enchufe a un contacto de pared de conexión a tierra de 3 terminales.

Preparación del sistema de agua

Sírvase leer antes de usar el sistema de agua.

Inmediatamente después de la instalación, siga los pasos a continuación para asegurarse de que el sistema de agua esté debidamente limpio.

1. Abra la puerta del congelador y apague la fábrica de hielo. El interruptor de encendido/apagado (On/Off) se encuentra en el lado superior derecho del compartimiento del congelador. Mueva el interruptor a la posición OFF (Apagado - hacia la derecha) como se muestra.



NOTAS:

- Asegúrese de que el filtro de la rejilla de la base esté instalado adecuadamente y que la tapa esté en la posición horizontal.
 - **No use con agua que no sea microbiológicamente segura o que sea de calidad desconocida sin desinfectarla adecuadamente antes o después del sistema. Pueden usarse sistemas certificados para la reducción de quistes en aguas desinfectadas que puedan contener quistes filtrables.**
2. Use un recipiente resistente para oprimir la barra del despachador de agua hasta que el agua comience a salir. Limpie el sistema de agua distribuyendo y desechando 1,5 gal. (5,4 L) de agua. La limpieza del sistema tomará aproximadamente 3 minutos y ayudará a despejar el aire de la línea. En algunas casas se podrá requerir limpieza adicional.
NOTA: A medida que sale aire del sistema, es posible que salgan chorros de agua repentinos del despachador.

3. Abra la puerta del congelador y encienda la fábrica de hielo. Mueva el interruptor a la posición ON (Encendido - hacia la izquierda). Vea el Manual de Uso y Cuidado para obtener más instrucciones sobre el funcionamiento de su fábrica de hielo.
 - Deje transcurrir 24 horas para la producción del primer lote de hielo.
 - Deshágase de los tres primeros lotes de hielo producidos.
 - Dependiendo de su modelo, puede ser que Ud. desee elegir la característica máxima de hielo para incrementar la producción de hielo.

Cómo nivelar el refrigerador

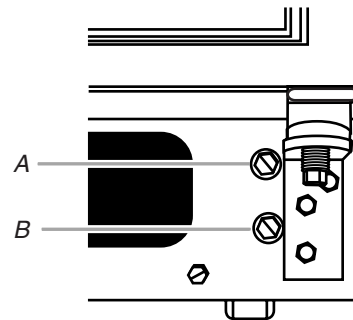
IMPORTANTE: Las cuatro patas niveladoras deberán hacer contacto con el piso para soportar y estabilizar el peso total del refrigerador.

Cómo quitar la rejilla de la base

1. Abra las puertas del refrigerador a 90°.
 2. Quite la rejilla de la base. Tome la rejilla con las dos manos. Levante e incline la parte superior de la rejilla hacia Ud.
- NOTA:** No quite las Hojas Técnicas que están sujetas detrás de la rejilla.

Nivele el refrigerador

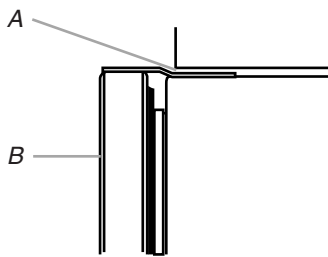
A cada lado del refrigerador detrás de la rejilla de la base hay un juego de dos pernos de nivelación. Los pernos superiores ajustarán la parte trasera del refrigerador y los pernos inferiores ajustarán la parte frontal del refrigerador.



A. Perno nivelador trasero (superior)
B. Perno nivelador frontal (inferior)

1. Utilice una llave de tubo de 1/2" (12,70 mm) para ajustar los pernos niveladores. Gire los pernos niveladores a la derecha para levantar el refrigerador o a la izquierda para bajarlo. Puede precisar darle varias vueltas para ajustar la inclinación del refrigerador.
NOTA: No desenrosque demasiado los pernos niveladores cuando esté bajando el refrigerador. La cabeza del perno comenzará a salirse del refrigerador cuando esté en la posición más baja.
2. Ajuste los pernos niveladores frontales para llevar la parte superior del refrigerador paralela al armario encima del refrigerador.
 - Para armarios estándares, deje un espacio de aproximadamente 1/8" (3,18 mm) entre las bisagras superiores del refrigerador y los armarios.
 - Para armarios completamente recubiertos, deje un espacio de 1/4" (6,35 mm) entre las bisagras superiores del refrigerador y los armarios.

- Si no tiene un armario encima del refrigerador, simplemente ajuste el refrigerador para nivelarlo.



A. Bisagras superiores
B. Frente del refrigerador

3. Ajuste el perno nivelador trasero para nivelar el refrigerador con los armarios laterales o los paneles extremos del armario.
4. Si lo desea, puede usar ahora los cuatro pernos niveladores para levantar el refrigerador y reducir el espacio entre la bisagra superior del refrigerador y la abertura del armario. Asegúrese de que las cuatro patas niveladoras todavía tocan el piso y que las puertas del armario encima del refrigerador abren completamente.

Vuelva a colocar la rejilla de la base

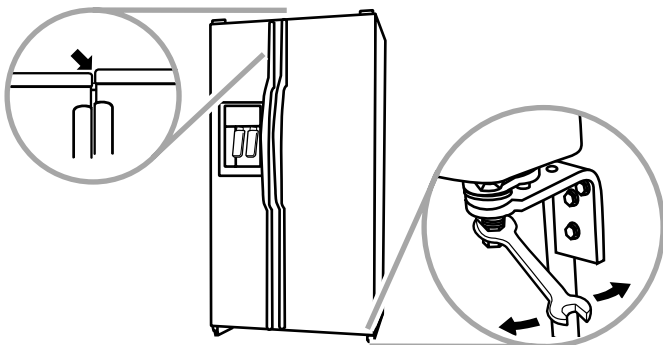
1. Abra las puertas del refrigerador a 90°.
2. Vuelva a colocar la rejilla de la base. Coloque las abrazaderas inferiores en la parte inferior del refrigerador y deslice la rejilla hacia arriba hasta que calce en su lugar.

Cómo ajustar la altura de la puerta

HERRAMIENTAS NECESARIAS: Llave de tuerca de $\frac{5}{16}$ " o ajustable.

IMPORTANTE: Los modelos son preajustados con una diferencia de espesor de una moneda de 25 centavos en la altura de la puerta y es posible que no necesiten ajuste.

Si fuera necesario después de llenar el refrigerador con alimentos, ajustar la altura de la puerta hacia arriba o hacia abajo, siga los pasos que se dan a continuación.



1. Ubique el perno para ajustar la altura en la bisagra inferior de la puerta del refrigerador.

NOTA: Para fácil acceso al perno para ajustar la altura, la puerta del refrigerador debe estar cerrada.

2. Gire el perno para ajustar la altura usando la llave de tuerca de $\frac{5}{16}$ " o una llave de tuerca ajustable.
 - Para elevar la altura, gire el perno hacia la derecha.
 - Para bajar la altura, gire el perno hacia la izquierda.
3. Revise para asegurarse de que las puertas estén a nivel en la parte superior y en la parte inferior. De ser necesario, continúe girando el perno para ajustar la altura.

Complete la instalación

1. Gire la válvula de la tubería de suministro de agua a la posición "Abierta".
2. Gire el interruptor del refrigerador a la posición ON (encendido). Espere unos minutos. Busque fugas en las conexiones de la tubería de agua.
3. Fije los controles del compartimiento del refrigerador y del congelador en su posición central. Verifique que el compresor está funcionando correctamente y que todas las luces funcionan.
4. Enjuague el sistema de agua antes de utilizarlo. Vea "Prepare el sistema de agua".

NOTA: Si se sigue construyendo después de haber instalado el refrigerador, fije los controles en OFF (Apagado).

Si el refrigerador no funciona

- Verifique que el disyuntor no se haya disparado o que no haya explotado un fusible.
- Verifique que el cable del suministro de energía esté enchufado en un contacto de pared de conexión a tierra de 3 terminales.
- Vea "Solución de problemas" en el Manual de Uso y Cuidado.

INSTRUCTIONS D'INSTALLATION

Assistance ou service

Si vous avez des questions

Si vous avez des questions concernant le fonctionnement, le nettoyage ou l'entretien de votre réfrigérateur, consulter le Guide d'utilisation et d'entretien.

Si vous avez besoin de service

Maintenez la qualité de votre réfrigérateur en téléphonant à une compagnie de service agréée.

Pour obtenir le nom et le numéro d'une compagnie de service agréée, vérifier le Guide d'utilisation ou d'entretien pour le numéro à composer, téléphoner au marchand chez qui l'appareil ménager a été acheté ou consulter les Pages jaunes de votre annuaire téléphonique.

Conservez ce manuel et votre reçu de vente ensemble pour référence ultérieure. Pour le service sous garantie, vous devez présenter un document prouvant la date d'achat ou d'installation.

Inscrivez les renseignements suivants au sujet de votre appareil ménager pour vous aider à obtenir assistance ou service en cas de besoin. Vous devrez connaître le numéro de modèle et le numéro de série au complet. Vous trouverez ces renseignements sur la plaque signalétique située sur la paroi interne du compartiment de réfrigération.

Nom du marchand _____

Numéro de série _____

Adresse _____

Numéro de téléphone _____

Numéro de modèle _____

Date d'achat _____

SÉCURITÉ DU RÉFRIGÉRATEUR

Votre sécurité et celle des autres est très importante.

Nous donnons de nombreux messages de sécurité importants dans ce manuel et sur votre appareil ménager. Assurez-vous de toujours lire tous les messages de sécurité et de vous y conformer.



Voici le symbole d'alerte de sécurité.

Ce symbole d'alerte de sécurité vous signale les dangers potentiels de décès et de blessures graves à vous et à d'autres.

Tous les messages de sécurité suivront le symbole d'alerte de sécurité et le mot "DANGER" ou "AVERTISSEMENT". Ces mots signifient :

⚠ DANGER

Risque possible de décès ou de blessure grave si vous ne suivez pas immédiatement les instructions.

⚠ AVERTISSEMENT

Risque possible de décès ou de blessure grave si vous ne suivez pas les instructions.

Tous les messages de sécurité vous diront quel est le danger potentiel et vous disent comment réduire le risque de blessure et ce qui peut se produire en cas de non-respect des instructions.

EXIGENCES D'INSTALLATION

Outillage et pièces

IMPORTANT :

- Respecter toutes les prescriptions des codes et règlements en vigueur.
- Installateur : Remettre les instructions d'installation au propriétaire.
- Propriétaire : Conserver les instructions d'installation pour consultation ultérieure et pour utilisation par l'inspecteur local des installations électriques.
- Garder la pièce de carton ou de contreplaqué d'expédition sous le réfrigérateur jusqu'à son installation à l'emplacement de service.
- Observer les spécifications et dimensions d'installation.

- Enlever toute moulure ou tout panneau décoratif qui empêche l'entretien du réfrigérateur.
- Communiquer avec un électricien qualifié.

OUTILLAGE REQUIS :

Rassembler les outils et pièces nécessaires avant de commencer l'installation. Lire et suivre les instructions fournies avec les outils indiqués ici.

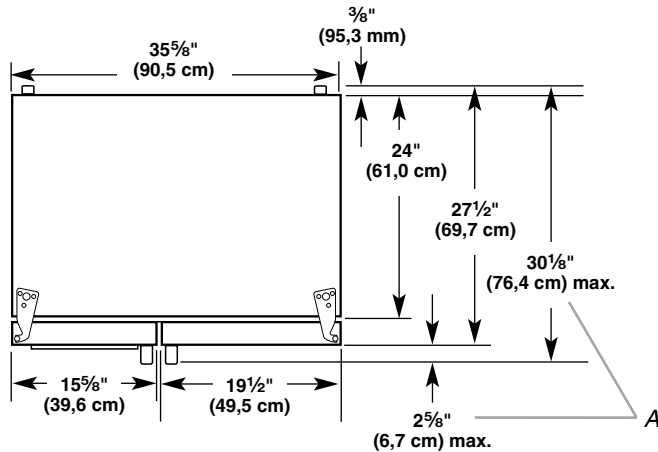
- Perceuse manuelle ou électrique (convenablement reliée à la terre)
- Clés plates de 7/16" et 1/2"
- Tourne-écrou de 1/4" et foret
- Deux clés à molette
- Tournevis à lame plate
- Clés à douille de 3/8" et 1/2"
- Clé de 5/16" ou clé à molette

PIÈCES NÉCESSAIRES :

- Votre marchand de réfrigérateurs présente une trousse avec un robinet d'arrêt à étrier de 1/4" (6,35 mm), un raccord et un tube en cuivre.
- Ou vous pouvez acheter un tube en cuivre de 1/4" (6,35 mm) avec un robinet d'arrêt et un raccord de compression de 1/4" (6,35 mm).
- Selon les raccordements de la canalisation d'eau, il vous faudra peut-être aussi un écrou de 1/4" (6,35 mm) et une bague de 1/4" (6,35 mm).

Dimensions du produit

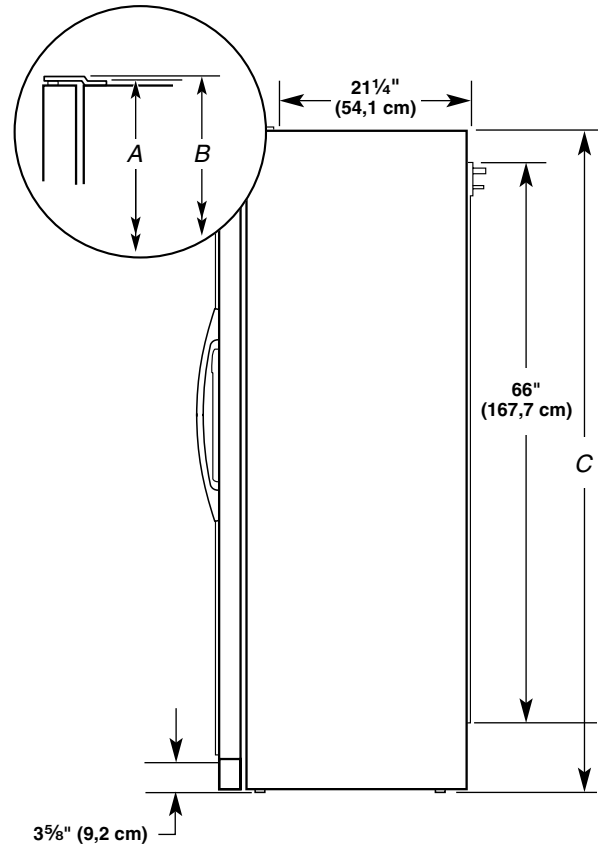
Vue de dessus



A. Les dimensions peuvent varier selon le modèle

Vue latérale

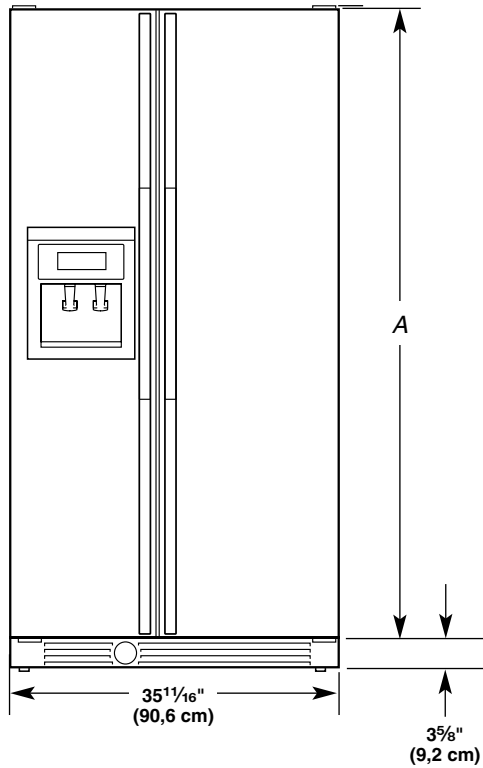
- Les dimensions de hauteur sont illustrées avec les pieds de nivellement déployés à la hauteur minimum de 1/4" (6,35 mm) sous le réfrigérateur.
- Le cordon d'alimentation mesure 66" (167,7 cm) de long.
- La canalisation d'eau fixée à l'arrière du réfrigérateur mesure 78" (198,1 cm) de long.



Taille du modèle	A	B	C
23' (654 L)	68 ³ / ₄ " (174,6 cm)	68 ⁷ / ₈ " (175 cm)	68 ¹ / ₂ " (174 cm)
25' (694 L)	71 ³ / ₄ " (182,2 cm)	71 ⁷ / ₈ " (182,5 cm)	71 ¹ / ₂ " (181,6 cm)

Lorsque les pieds de nivellement sont complètement déployés à 1" (25 mm) sous le réfrigérateur, ajouter 3/4" (19 mm) aux dimensions de hauteur.

Vue de face



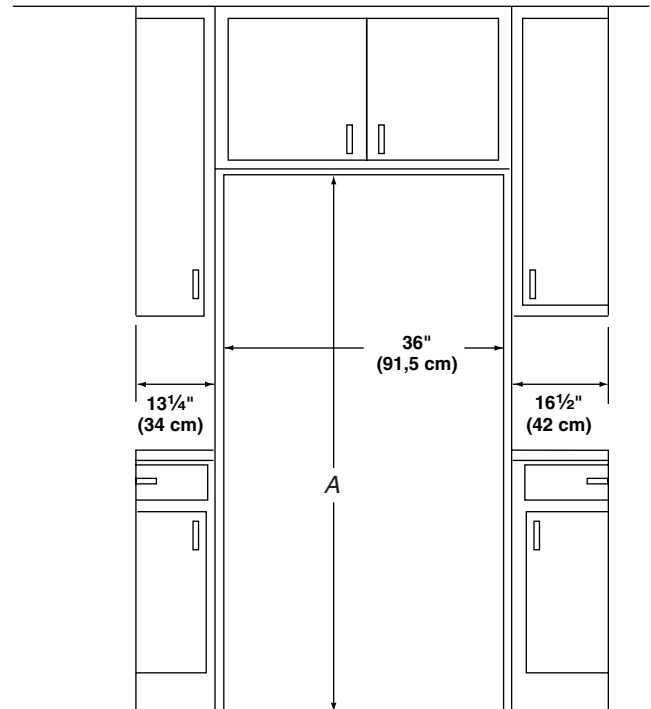
Taille du modèle	Hauteur A
23' (654 L) 25' (694 L)	64 7/8" (164,8 cm) 67 3/4" (172,1 cm)

Dimensions de l'ouverture

- Les dimensions de hauteur sont illustrées avec les pieds de nivellement déployés à la hauteur minimum de 1/4" (6,35 mm) sous le réfrigérateur.

REMARQUE : Lorsque les pieds de nivellement sont complètement déployés à 1" (25 mm) sous le réfrigérateur, ajouter 3/4" (19 mm) aux dimensions de hauteur.

- La position du mur minimum est de 13 1/4" (34 cm) de la porte du congélateur et 16 1/2" (42 cm) de la porte du réfrigérateur.



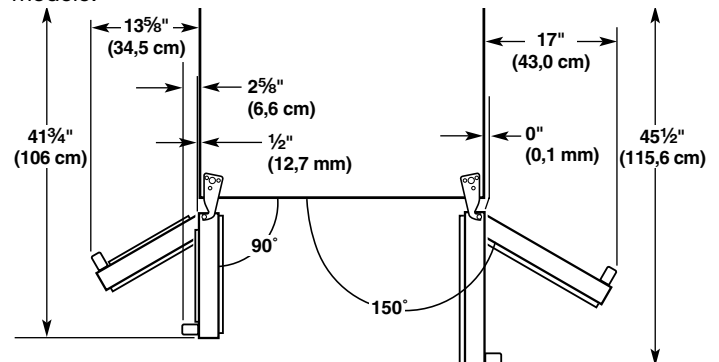
Taille du modèle	Hauteur A Armoire standard	Hauteur A Recouvrement complet*
23' (654 L) 25' (694 L)	69" (175,3 cm) 72" (182,9 cm)	69 1/8" (175,6 cm) 72 1/8" (183,2 cm)

*Pour les portes d'armoire à recouvrement complet avec ensemble de garniture, la hauteur de l'ouverture doit être ajustée tel qu'illustré.

Dimensions pour le pivotement des portes

L'emplacement d'installation doit permettre l'ouverture des portes à un angle minimal de 150°. Prévoir un dégagement minimal de 13 1/4" (34 cm) entre le mur latéral et le côté du compartiment de congélation. Prévoir un dégagement minimal de 16 1/2" (42 cm) entre le mur latéral et le côté du compartiment de réfrigération.

REMARQUE : Les dimensions peuvent varier en fonction du modèle.



Exigences d'emplacement

AVERTISSEMENT



Risque d'explosion

Garder les matériaux et les vapeurs inflammables, telle que l'essence, loin du réfrigérateur.

Le non-respect de cette instruction peut causer un décès, une explosion ou un incendie.

REMARQUES :

- Le réfrigérateur à profondeur de comptoir peut être installé dans un encastrement, à l'extrémité des armoires ou en position autonome.
- Si vous installez le réfrigérateur pour qu'il soit en affleurement avec les armoires inférieures, il faut enlever toutes les moulures et plinthes de l'arrière de l'ouverture du réfrigérateur.
- Pour les portes d'armoire à recouvrement complet, la hauteur de l'ouverture doit être de 69 1/8" (175,6 cm).
- L'emplacement doit permettre l'ouverture complète des portes. Voir la section "Dimensions pour le pivotement des portes".
- Ne pas installer le réfrigérateur près d'un four, d'un radiateur ou d'une autre source de chaleur, ni dans un endroit où la température baissera au-dessous de 55°F (13°C).
- Le plancher doit supporter le poids du réfrigérateur (plus de 600 lb [272 kg], les panneaux de porte ainsi que le contenu).

Spécifications électriques

AVERTISSEMENT



Risque de choc électrique

Brancher sur une prise à 3 alvéoles reliée à la terre.

Ne pas enlever la broche de liaison à la terre.

Ne pas utiliser un adaptateur.

Ne pas utiliser un câble de rallonge.

Le non-respect de ces instructions peut causer un décès, un incendie ou un choc électrique.

Avant de placer le réfrigérateur à son emplacement final, il est important de vous assurer d'avoir la connexion électrique appropriée.

Méthode recommandée de mise à la terre

Une source d'alimentation de 115 volts, 60 Hz, type 15 ou 20 ampères CA seulement, protégée par fusible et adéquatement mise à la terre est nécessaire. Il est recommandé d'utiliser un circuit distinct pour alimenter uniquement votre réfrigérateur. Utiliser une prise murale qui ne peut pas être mise hors circuit à l'aide d'un commutateur. Ne pas utiliser de rallonge.

IMPORTANT : Si ce produit est connecté à une prise protégée par un disjoncteur de fuite à la terre, un déclenchement intempestif peut se produire et causer une perte de refroidissement. La qualité et la saveur des aliments risquent d'être affectées. Si un déclenchement intempestif se produit et si les aliments semblent de piètre qualité, jeter le tout.

REMARQUE : Avant d'exécuter tout type d'installation, nettoyage ou remplacement d'une ampoule d'éclairage, tourner le réglage (réglage du thermostat, du réfrigérateur ou du congélateur selon le modèle) à OFF (arrêt) et déconnecter ensuite le réfrigérateur de la source de courant électrique. Lorsque vous avez terminé, reconnecter le réfrigérateur à la source de courant électrique et mettre de nouveau le réglage (réglage du thermostat, du réfrigérateur ou du congélateur selon le modèle) au réglage désiré.

Spécifications de l'alimentation en eau

Rassembler les outils et pièces nécessaires avant de commencer l'installation. Lire et suivre les instructions fournies avec les outils indiqués ici.

OUTILLAGE REQUIS :

- Tournevis à lame plate
- Foret de 1/4"
- Clés plates de 7/16" et 1/2" ou deux clés à molette réglables
- Perceuse manuelle ou électrique (convenablement reliée à la terre)
- Tourne-écrou de 1/4"

REMARQUE : Votre marchand de réfrigérateurs présente une trousse disponible avec un robinet d'arrêt à étrier de 1/4" (6,35 mm), un raccord et un tube en cuivre. Avant l'achat, s'assurer que le robinet d'arrêt à étrier est conforme à vos codes locaux de plomberie. Ne pas employer de robinet d'arrêt à étrier de 3/16" (4,76 mm) ou de type à percer, ce qui réduit le débit d'eau et cause une obstruction plus facilement.

IMPORTANT :

- Toutes les installations doivent être conformes aux exigences des codes locaux de plomberie.
- Utiliser un tube en cuivre et vérifier s'il y a des fuites. Installer les tubes en cuivre seulement à des endroits où la température se maintient au-dessus du point de congélation.

Pression de l'eau

Une alimentation en eau froide avec une pression entre 30 et 120 lb/po² (207 - 827 kPa) est nécessaire pour faire fonctionner le distributeur d'eau et la machine à glaçons. Si vous avez des questions au sujet de la pression de votre eau, appeler un plombier qualifié agréé.

Alimentation en eau par osmose inverse

IMPORTANT : La pression de l'alimentation en eau entre le système d'osmose inverse et la valve d'arrivée d'eau du réfrigérateur doit être entre 30 et 120 lb/po² (207 - 827 kPa).

Si un système de purification de l'eau par osmose inverse est raccordé à votre alimentation en eau froide, la pression de l'eau au système doit être d'un minimum de 40 à 60 lb/po² (276 à 414 kPa).

Si la pression de l'eau au système d'osmose inverse est inférieure à 40 à 60 lb/po² (276 à 414 kPa) :

- Vérifier pour voir si le filtre à sédiments du système d'osmose inverse est bloqué et le remplacer si nécessaire.
- Laisser le réservoir du système d'osmose inverse se remplir après une utilisation intense.
- Si votre réfrigérateur comporte un filtre à eau, celui-ci peut réduire encore plus la pression de l'eau lorsqu'il est utilisé avec un système d'osmose inverse. Retirer le filtre à eau. Voir "Système de filtration d'eau" dans le Guide d'utilisation et d'entretien.

Si vous avez des questions au sujet de la pression de votre eau, appeler un plombier qualifié agréé.

INSTRUCTIONS D'INSTALLATION

Déballage du réfrigérateur

⚠ AVERTISSEMENT

Risque du poids excessif

Utiliser deux ou plus de personnes pour déplacer et installer le réfrigérateur.

Le non-respect de cette instruction peut causer une blessure au dos ou d'autre blessure.

Enlever l'emballage

Si le bac d'entreposage de glaçons est situé dans la porte, retirer l'écran protecteur temporaire situé sous le bac. Voir "Machine à glaçons et bac d'entreposage".

Jeter ou recycler tous les matériaux d'emballage. Ne pas utiliser d'instruments coupants, d'alcool à friction, de liquides inflammables ou de nettoyants abrasifs pour enlever le ruban adhésif ou la colle. Ces produits peuvent endommager la surface de votre réfrigérateur.

IMPORTANT :

- Utiliser une clé à douille de 3/8" pour enlever les cales.
- Les quatre pieds de nivellement doivent toucher le plancher pour supporter et stabiliser le poids total du réfrigérateur.

Déplacement de votre réfrigérateur :

Votre réfrigérateur est lourd. Lors du déplacement du réfrigérateur pour le nettoyage ou le service, veiller à protéger le plancher. Toujours tirer le réfrigérateur tout droit lors du déplacement. Ne pas incliner le réfrigérateur d'un côté ou de l'autre ni le "faire marcher" en essayant de le déplacer car le plancher pourrait être endommagé.

Nettoyage avant utilisation

Après avoir enlevé tous les matériaux d'emballage, nettoyer l'intérieur du réfrigérateur avant de l'utiliser. Voir les instructions de nettoyage dans le Guide d'utilisation et d'entretien.

Importants renseignements à savoir au sujet des tablettes et des couvercles en verre :

Ne pas nettoyer les tablettes ou couvercles en verre avec de l'eau tiède quand ils sont froids. Les tablettes et les couvercles peuvent se briser s'ils sont exposés à des changements soudains de température ou à un impact tel que coup brusque. Pour votre protection, le verre trempé est conçu pour éclater en d'innombrables pièces minuscules. Ceci est normal. Les tablettes et les couvercles en verre sont lourds. Un soin spécial s'impose lors de leur déplacement pour éviter l'impact d'une chute.

Installation d'une nouvelle canalisation d'eau

(si requise)

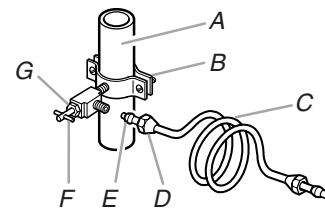
OUTILLAGE NÉCESSAIRE :

- Tournevis à lame plate
- Clés plates de 7/16" et 1/2" ou deux clés à molette réglables
- Foret de 1/4"
- Perceuse manuelle ou électrique (convenablement reliée à la terre)

1. FERMER le robinet principal d'arrivée d'eau. OUVRIR le robinet de puisage le plus proche pendant une période suffisante pour que la canalisation d'eau se vide.
2. Trouver une canalisation d'eau FROIDE verticale de 1/2" (12,70 mm) à 1 1/4" (3,18 cm) près du réfrigérateur.

REMARQUE : Un conduit horizontal fonctionnera, mais le procédé suivant doit être suivi : Percer par le dessus de la canalisation et non pas par le dessous. Ainsi, l'eau ne risquera pas d'arroser la perceuse. Ceci empêche également les sédiments qu'on trouve normalement dans l'eau de s'accumuler dans le robinet d'arrêt.

3. Déterminer la longueur du tube de cuivre nécessaire. Mesurer la distance entre le point de connexion inférieur gauche à l'arrière du réfrigérateur et le tuyau d'arrivée d'eau. Ajouter 7 pi (2,1 m) pour permettre le nettoyage. Utiliser un tube en cuivre de 1/4" (6,35 mm) de diamètre extérieur. Veiller à ce que le tube soit coupé d'équerre aux deux extrémités.
4. À l'aide d'une perceuse électrique reliée à la terre, percer un trou de 1/4" (6,35 mm) dans la canalisation d'eau froide choisie.



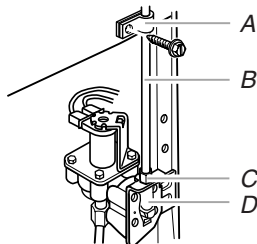
A. Canalisation d'eau froide
B. Bride de tuyau
C. Tube en cuivre
D. Écrou de compression
E. Bague de compression
F. Robinet d'arrêt
G. Écrou de serrage

5. Fixer le robinet d'arrêt sur le tuyau d'alimentation en eau à l'aide d'une bride de tuyau. Vérifier que le raccord du robinet est bien engagé dans le trou de 1/4" (6,35 mm) percé dans la canalisation et que la rondelle d'étanchéité est placée sous la bride du tuyau. Serrer l'écrou de serrage. Serrer soigneusement et uniformément les vis fixant la bride de tuyau sur le tuyau afin que la rondelle forme un scellement étanche. Ne pas serrer excessivement car ceci pourrait provoquer l'écrasement du tube en cuivre, particulièrement s'il s'agit d'un tube en cuivre malléable (enroulé). On est maintenant prêt à connecter le tube en cuivre.
6. Enfiler l'écrou et la bague de compression du raccord sur le tube en cuivre comme on le voit sur l'illustration. Insérer l'extrémité du tube aussi loin que possible dans l'ouverture de sortie du robinet d'arrêt. Visser l'écrou de compression sur le raccord de sortie avec une clé à molette. Ne pas serrer excessivement.
7. Placer le bout libre du tube dans un contenant ou évier, OUVRIR le robinet principal d'arrivée d'eau et laisser l'eau s'écouler par le tube jusqu'à ce que l'eau soit limpide. FERMER le robinet principal d'arrivée d'eau.

Raccordement à la canalisation d'eau

Style 1 - Connexion au robinet d'eau

1. Débrancher le réfrigérateur ou déconnecter la source de courant électrique.
2. Avant de raccorder le tube en cuivre au réfrigérateur, purger le tube en cuivre en laissant couler au moins 2 pintes (1,9 L) d'eau dans un seau pour éliminer toute particule de la canalisation.
3. Vérifier s'il y a des fuites autour du robinet d'arrêt à étrier. Ne pas serrer excessivement la bride ou la bague. Ceci provoquera l'écrasement du tube en cuivre.
4. Connecter le tube en cuivre au robinet d'eau en utilisant un écrou et une bague de compression tel qu'illustré. Serrer l'écrou de compression. Ne pas serrer excessivement.
5. Utiliser la bride du tube à l'arrière du réfrigérateur pour fixer le tube au réfrigérateur tel qu'illustré. Ceci aidera à empêcher les dommages au tube lorsque le réfrigérateur est poussé contre le mur.
6. OUVRIR le robinet d'arrêt.
7. Inspecter pour rechercher les fuites. Serrer tous les raccords (y compris les raccords de la valve d'entrée d'eau) ou les écrous qui coulent.



A. Bride du tube C. Écrou de compression
B. Tube en cuivre D. Valve d'entrée d'eau

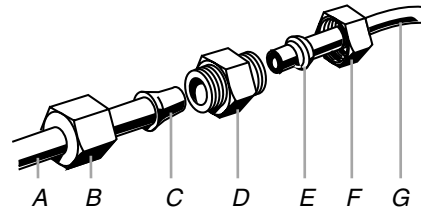
8. La machine à glaçons est équipée d'un filtre à eau incorporé. Si la qualité de l'eau distribuée localement nécessite un deuxième filtre à eau, il serait utile de l'installer dans le tube de raccordement de 1/4" (6,35 mm) à une extrémité ou l'autre du tube. On peut obtenir un tel filtre à eau chez le marchand d'appareils électroménagers le plus proche.

Style 2 - Connexion à la canalisation d'eau

1. Débrancher le réfrigérateur ou déconnecter la source de courant électrique.
2. Enlever et jeter le ruban d'expédition et le bouchon en nylon noir du serpentin gris pour l'eau à l'arrière du réfrigérateur.
3. Avant de raccorder le tube en cuivre au réfrigérateur, purger le tube en cuivre en laissant couler au moins 2 pintes (1,9 L) d'eau dans un seau pour éliminer toute particule de la canalisation.
4. Vérifier s'il y a des fuites autour du robinet d'arrêt à étrier. Ne pas serrer excessivement la bride ou la bague. Ceci provoquera l'écrasement du tube en cuivre.

5. Si le tuyau gris fourni avec le réfrigérateur n'est pas assez long, un raccord de 1/4" x 1/4" est nécessaire pour connecter le conduit pour l'eau à une canalisation d'eau de la maison. Enfiler l'écrou fourni dans le raccord à l'extrémité du tube de cuivre.

REMARQUE : Serrer l'écrou à la main. Ensuite le serrer avec une clé deux tours de plus. Ne pas serrer excessivement.



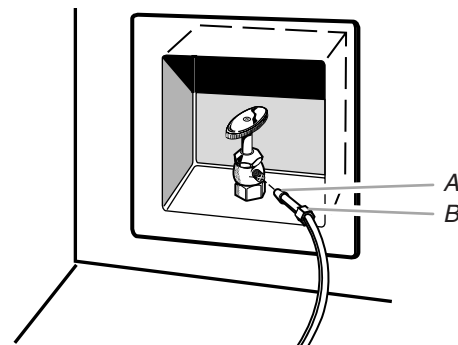
A. Tube vers le réfrigérateur E. Virole (à acheter)
B. Écrou (fourni) F. Écrou (à acheter)
C. Renflement G. Canalisation d'eau du domicile
D. Raccord (fourni)

6. OUVRIR le robinet d'arrêt.
7. Inspecter pour rechercher les fuites. Serrer tous les raccords (y compris les raccords de la valve d'entrée d'eau) ou les écrous qui coulent.

Style 3 - Connexion au robinet d'arrêt

1. Débrancher le réfrigérateur ou déconnecter la source de courant électrique.
2. Enlever et jeter le ruban d'expédition et le bouchon en nylon noir du serpentin gris pour l'eau à l'arrière du réfrigérateur.
3. Avant de raccorder le tube en cuivre au réfrigérateur, purger le tube en cuivre en laissant couler au moins 2 pintes (1,9 L) d'eau dans un seau pour éliminer toute particule de la canalisation.
4. Vérifier s'il y a des fuites autour du robinet d'arrêt à étrier. Ne pas serrer excessivement la bride ou la bague. Ceci provoquera l'écrasement du tube en cuivre.
5. Pousser l'extrémité du renflement du tube dans le robinet de débit d'eau aussi loin que possible. Enfiler l'écrou fourni dans le robinet d'eau comme sur l'illustration.

REMARQUE : Serrer l'écrou à la main. Ensuite, le serrer avec une clé 2 tours de plus. Ne pas serrer excessivement.



A. Renflement
B. Écrou (fourni)

6. OUVRIR le robinet d'arrêt.
7. Inspecter pour rechercher les fuites. Serrer tous les raccords (y compris les raccords de la valve d'entrée d'eau) ou les écrous qui coulent.

Brancher le réfrigérateur

⚠ AVERTISSEMENT



Risque de choc électrique

Brancher sur une prise à 3 alvéoles reliée à la terre.

Ne pas enlever la broche de liaison à la terre.

Ne pas utiliser un adaptateur.

Ne pas utiliser un câble de rallonge.

Le non-respect de ces instructions peut causer un décès, un incendie ou un choc électrique.

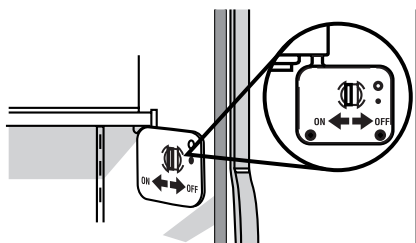
1. Brancher sur une prise à 3 alvéoles reliée à la terre.

Préparer le système d'eau

Veuillez lire avant d'utiliser le système d'eau.

Immédiatement après l'installation, suivre les étapes ci-dessous pour vous assurer que le système d'eau est bien nettoyé.

1. Ouvrir la porte du congélateur et arrêter la machine à glaçons. Le commutateur On/Off (marche/arrêt) est situé du côté droit supérieur du compartiment du congélateur. Tourner le commutateur au réglage OFF (à droite) tel qu'illustré.



REMARQUES :

- S'assurer que le filtre de la grille de la base est correctement installé et que la capsule est à la position horizontale.
 - **Ne pas utiliser pour le filtrage d'une eau microbiologiquement polluée ou de qualité inconnue en l'absence d'un dispositif de désinfection adéquat avant ou après le système. Les systèmes certifiés pour la réduction de kyste peuvent être utilisés pour l'eau désinfectée qui peut contenir des kystes filtrables.**
2. Utiliser un contenant solide pour appuyer sur la barre de distribution jusqu'à ce que l'eau commence à couler. Vider le système d'eau en laissant couler et en jetant 1,5 gal. (5,4 L) d'eau. Le nettoyage du système prendra environ 3 minutes et aidera à dégager l'air du conduit. Un écoulement additionnel peut être requis dans certains domiciles.
REMARQUE : Pendant l'évacuation de l'air, l'eau peut gicler du distributeur.
 3. Ouvrir la porte du congélateur et mettre la machine à glaçons en marche. Mettre le commutateur à la position ON (marche) (vers la gauche). Pour plus d'instructions sur le fonctionnement de votre machine à glaçons, consulter le Guide d'utilisation et d'entretien.
 - Attendre 24 heures pour obtenir la première quantité de glaçons.
 - Jeter les trois premières quantités de glaçons produites.

- Selon le modèle que vous avez, vous devrez peut-être choisir la caractéristique de production maximale de glaçons pour augmenter la production de glaçons.

Nivellement du réfrigérateur

IMPORTANT : Les quatre pieds de nivellement doivent toucher le plancher pour supporter et stabiliser le poids total du réfrigérateur.

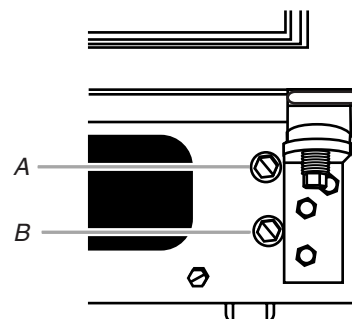
Enlever la grille de la base

1. Ouvrir les portes du réfrigérateur à 90°.
2. Enlever la grille de la base. Tenir la grille des deux mains. Soulever la grille et incliner le dessus vers soi.

REMARQUE : Ne pas enlever les fiches techniques fixées derrière la grille.

Niveler le réfrigérateur

Il y a un jeu de deux boulons de nivellement de chaque côté du réfrigérateur derrière la grille de la base. Les boulons supérieurs ajustent l'arrière du réfrigérateur et les boulons inférieurs ajustent l'avant du réfrigérateur.



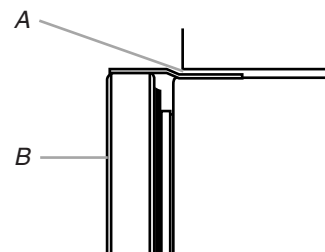
A. Boulon de nivellement arrière (supérieur)

B. Boulon de nivellement avant (inférieur)

1. Utiliser une clé à douille de 1/2" (12,70 mm) pour ajuster les boulons de nivellement. Tourner les boulons de nivellement vers la droite pour surélever le réfrigérateur ou vers la gauche pour l'abaisser. Plusieurs tours peuvent être nécessaires pour régler l'inclinaison du réfrigérateur.

REMARQUE : Ne pas dévisser les boulons de nivellement excessivement lorsqu'on abaisse le réfrigérateur. La tête du boulon commencera à se dégager du réfrigérateur lorsqu'il est à la position la plus basse.

2. Ajuster les boulons de nivellement avant pour mettre le sommet du réfrigérateur parallèle à l'armoire au-dessus du réfrigérateur.
 - Pour les armoires standard, laisser un écart d'environ 1/8" (3,18 mm) entre les charnières supérieures et l'armoire.
 - Pour les armoires à recouvrement total, laisser un écart de 1/4" (6,35 mm) entre les charnières supérieures et l'armoire.
 - Si vous n'avez pas d'armoire au-dessus du réfrigérateur, ajuster simplement le réfrigérateur pour qu'il soit d'aplomb.



A. Charnières supérieures

B. Avant du réfrigérateur

3. Ajuster le boulon de nivellement arrière pour mettre le réfrigérateur à niveau avec les panneaux des armoires latérales ou l'extrémité des armoires.
4. Si vous le désirez, vous pouvez désormais utiliser les quatre boulons de nivellement pour soulever le réfrigérateur et réduire l'écart entre la charnière supérieure du réfrigérateur et l'ouverture de l'armoire. Vérifier que les quatre pieds de nivellement touchent encore le plancher et que les portes de l'armoire au-dessus du réfrigérateur s'ouvrent complètement.

Réinstallation de la grille de la base

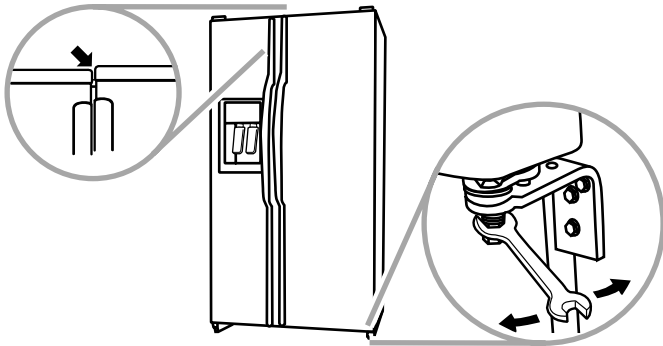
1. Ouvrir les portes du réfrigérateur à 90°.
2. Réinstaller la grille de la base. Placer les broches inférieures au bas du réfrigérateur et insérer la grille jusqu'à ce qu'elle s'enclenche en place.

Ajustement de la hauteur des portes

OUTILLAGE REQUIS : Clé de 5/16" ou clé à molette.

IMPORTANT : Les modèles sont conçus avec une différence de hauteur de porte de l'épaisseur d'une pièce de 25 cents et peuvent ne pas nécessiter d'ajustement.

Si nécessaire après le chargement d'aliments dans le réfrigérateur, suivre les étapes ci-dessous pour ajuster la hauteur de la porte vers le haut ou vers le bas.



1. Localiser le boulon d'ajustement de la hauteur sur la charnière inférieure de la porte du réfrigérateur.

REMARQUE : Pour accéder plus facilement au boulon d'ajustement de la hauteur, la porte du réfrigérateur doit être fermée.

2. Tourner le boulon d'ajustement de la hauteur à l'aide de la clé de 5/16" ou de la clé à molette.
 - Pour augmenter la hauteur, tourner le boulon vers la droite.
 - Pour diminuer la hauteur, tourner le boulon vers la gauche.
3. Vérifier les portes pour s'assurer qu'elles sont égales en haut et en bas. Si nécessaire, continuer à tourner le boulon d'ajustement de la hauteur.

Achever l'installation

1. Tourner le robinet de la canalisation d'eau à la position "Open" (ouvert).
2. Tourner le commutateur du réfrigérateur à la position ON (marche). Attendre quelques minutes. Vérifier les raccords de la canalisation d'eau pour voir s'il y a des fuites.
3. Régler les commandes des compartiments de réfrigération et de congélation au réglage moyen. S'assurer que le compresseur fonctionne bien et que toutes les lumières s'allument.
4. Purger le système d'eau avant l'utilisation. Voir "Préparer le système d'eau".

REMARQUE : Si la construction continue après l'installation du réfrigérateur, régler les commandes à OFF (arrêt).

Si le réfrigérateur ne fonctionne pas

- Vérifier si le disjoncteur s'est déclenché ou si un fusible est grillé.
- Vérifier que le cordon d'alimentation est correctement branché sur une prise de courant à 3 alvéoles reliée à la terre.
- Voir la section "Dépannage" dans le Guide d'utilisation et d'entretien.