

PRODUCT MODEL NUMBERS

GBW3050T

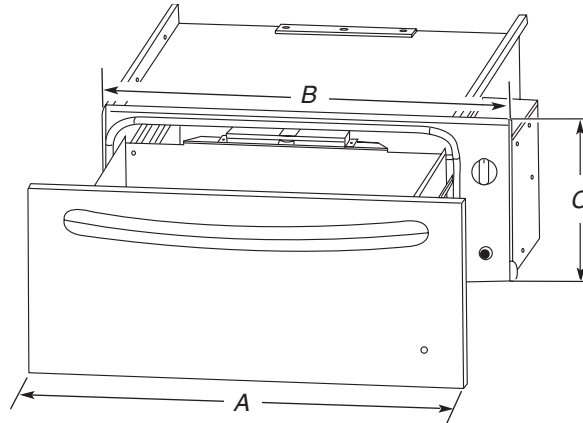
ELECTRICAL:

A 120 volt, 60 Hz., AC only, 15-amp fused, electrical circuit is required. A time-delay fuse or circuit breaker is also recommended. It is recommended that a separate circuit serving only this warming drawer be provided.

Electrical supply outlet should be located in the rear wall on the upper right-hand side of the cutout or in an adjacent cabinet. The outlet must be recessed. If the electrical outlet is located in an adjacent cabinet, a 1 $\frac{1}{8}$ " (3.5 cm) minimum diameter hole should have been drilled in the back of the cutout or support surface to pass the power supply cord through to the outlet.

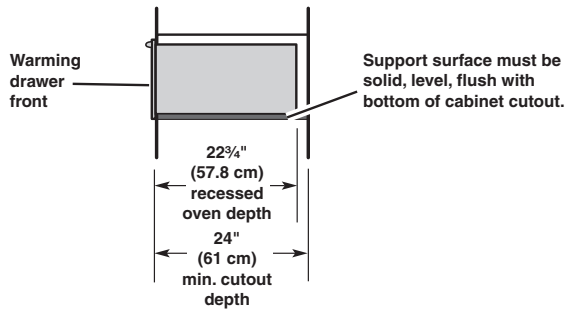
Warming drawer support surface must be solid, level and flush with bottom of cabinet cutout.

OVERALL DIMENSIONS

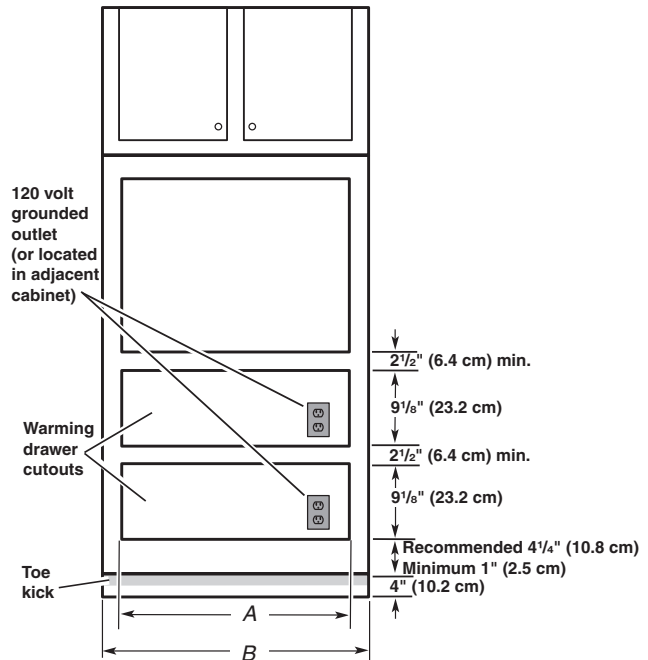


A. 29 $\frac{3}{4}$ " (75.6 cm) overall width
 B. 28 $\frac{1}{4}$ " (71.8 cm) recessed width
 C. 9" (22.9 cm)

Cabinet Side View



Cabinet Front View



A. 28 $\frac{1}{2}$ " (72.4 cm) cutout width
 B. 30" (76.2 cm) min. cabinet width

Warming drawer can be installed as an indoor single or double installation or installed under a single oven. Two warming drawers under a single oven are shown.