

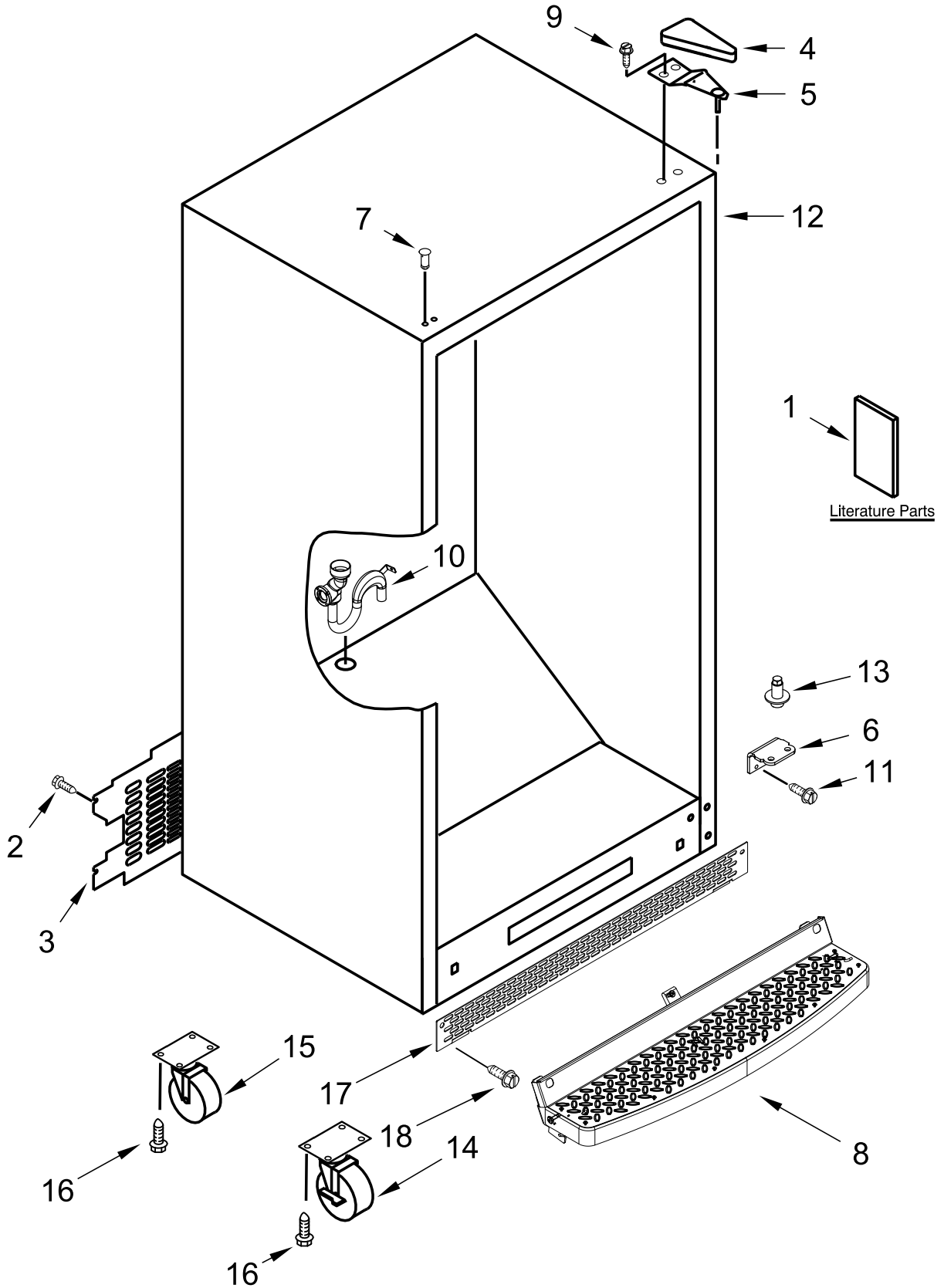


ALL FREEZER

MODELS:

GAFZ30FDGB01 (Black)

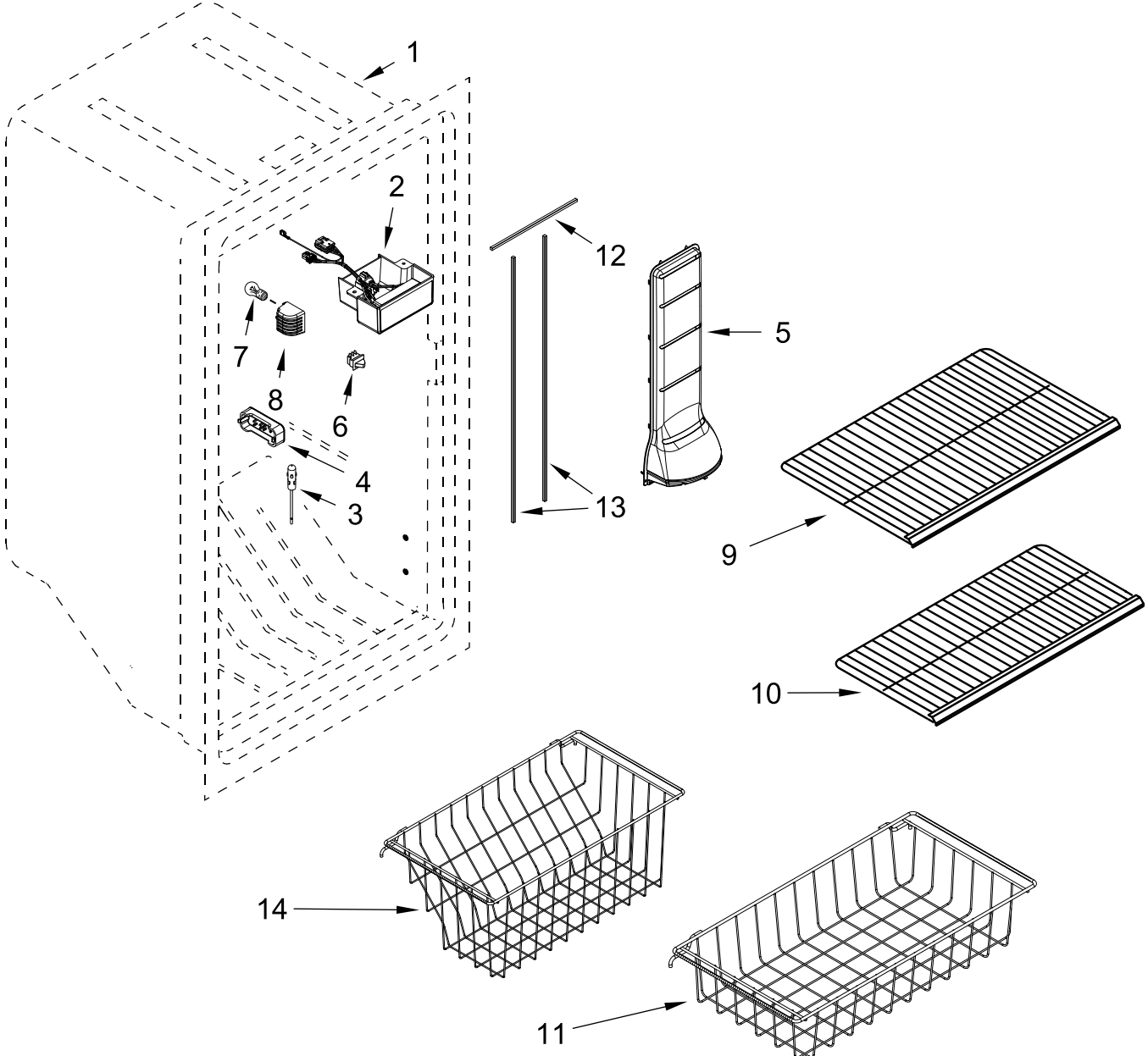
CABINET PARTS



CABINET PARTS

<u>Illus. No.</u>	<u>Part No.</u>	<u>Description</u>	<u>Illus. No.</u>	<u>Part No.</u>	<u>Description</u>	<u>Illus. No.</u>	<u>Part No.</u>	<u>Description</u>
1		Literature Parts	7		Plug, Hole	15		Caster, Rigid 5" (With Brake)
	W11102841	Energy Guide		W10520305	Black			
	W11182032	Tech Sheet	8	W10897311	Assembly, Pedal		8211251	Left Hand
2	3-80732-014	Screw	9	3400113	Screw		8211250	Right Hand
3	W10574323	Cover, Unit	10	W10717194	Tube, Drain	16	3400527	Screw
4		Cover, Hinge	11	W10709365	Screw	17	W10891102	Grill, Toe
	2213363	Black	12		Cabinet (Not A Serviceable Part)	18	W10308489	Screw (Grey)
5	2261963	Assembly, Top Hinge	13	W10574325	Pin, Lower Hinge			
6		Plate, Bottom Hinge	14	8204601	Caster, Swivel 5"			
	W11102844	Hammer Granite						

LINER PARTS



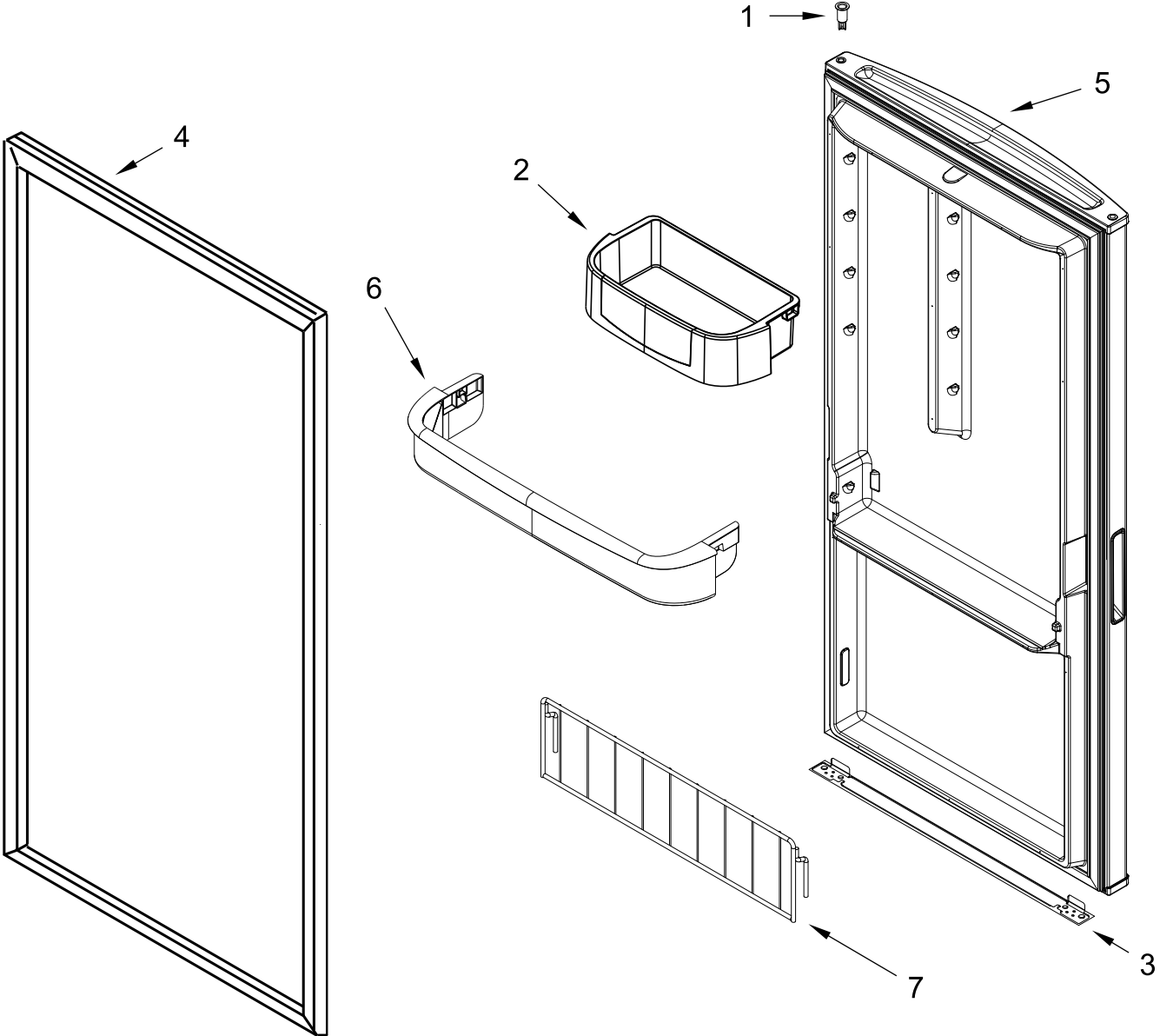
LINER PARTS

<u>Illus.</u> <u>No.</u>	<u>Part No.</u>	<u>Description</u>
1		Liner (Not A Serviceable Part)
2	W11221364	Control Assembly
3	W10384183	Thermistor
4	W10608692	Cover, Thermistor
5	W10574583	Tower, Air

<u>Illus.</u> <u>No.</u>	<u>Part No.</u>	<u>Description</u>
6	W10755325	Switch, Light
7	W10805744	Lamp, LED
8	W10569269	Lens, Control Box
9	W10581578	Wire Shelf, Deep
10	W10581579	Wire Shelf, Shallow
11	W10736055	Basket, Shallow

<u>Illus.</u> <u>No.</u>	<u>Part No.</u>	<u>Description</u>
12	W10574564	Gasket, Air Tower (Horizontal)
13	W10574368	Gasket, Air Tower (Vertical)
14	W10736043	Basket, Deep

DOOR PARTS



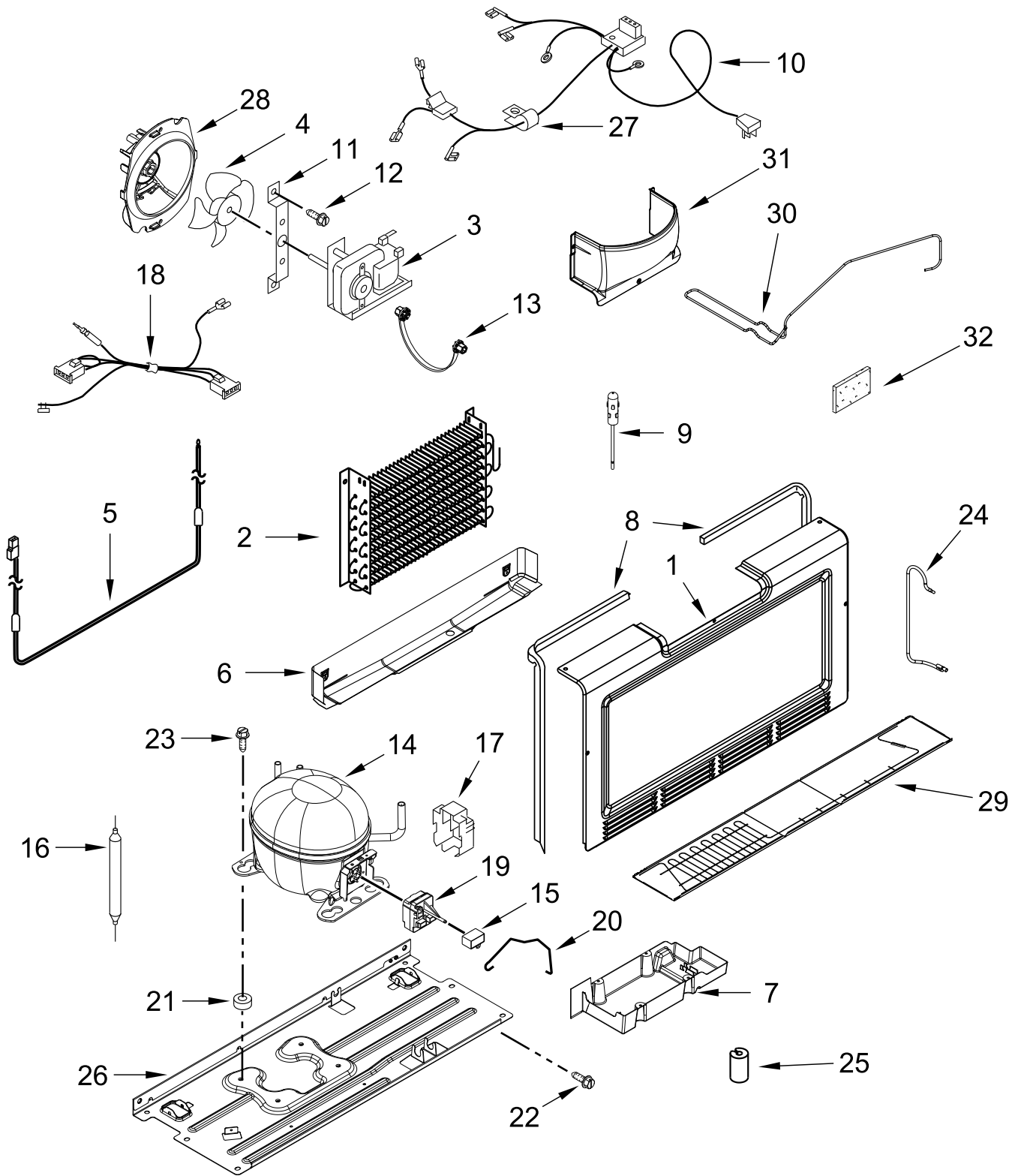
DOOR PARTS

<u>Illus.</u> <u>No.</u>	<u>Part No.</u>	<u>Description</u>
1	2314293	Thimble
2		Bucket, Door
	W11030699	Small
	W11082376	Medium
3	W10891103	Stop, Door
4		Gasket, Door
	W11102846	Black

<u>Illus.</u> <u>No.</u>	<u>Part No.</u>	<u>Description</u>
5		Door Assembly
	W11102809	Black

<u>Illus.</u> <u>No.</u>	<u>Part No.</u>	<u>Description</u>
6	12557904	Retainer, Door
7	W10656118	Door, Pizza Shelf

UNIT PARTS



UNIT PARTS

<u>Illus.</u> <u>No.</u>	<u>Part No.</u>	<u>Description</u>	<u>Illus.</u> <u>No.</u>	<u>Part No.</u>	<u>Description</u>	<u>Illus.</u> <u>No.</u>	<u>Part No.</u>	<u>Description</u>
1	W10574307	Cover, Evaporator	12	3-80732-014	Screw	25	2319835	Grommet, Condenser
2	W10574283	Evaporator	13	W10150583	Grommet, Fan Motor	26	W10574278	Pan, Compressor
3	W10359880	Motor, Fan	14	W11189854	Compressor	27	549193	Clamp, Power Cord
4	2169142	Blade, Fan	15	W10350564	Capacitor	28	W10574469	Shroud, Evaporator Fan
5	W10316428	Heater, Defrost	16	W10709968	Drier	29		Condenser (Not Serviced)
6	W10314195	Shield, Heat	17	W10574450	Shield, Capacitor	30	W10574478	Tube, Discharge
7	W10574291	Pan, Evaporator Drain	18	W11181209	Harness, Evaporator Fan	31	W10574581	Cover, Evaporator Fan
8	W10574305	Gasket, Evaporator Cover	19	W10796752	Device, Start	32	2169104	Sealer, Insulation
9	W10383615	Thermistor, Evaporator	20	W10574470	Strap, Bale			REFRIGERANT CHARGE
10	W11117597	Wire Harness (Includes Power Cord)	21	2183042	Grommet			4.75 oz. (R-134A)
11	13058002	Clip, Evaporator Motor	22	W10142287	Bolt			
			23	489473	Screw			
			24	W10861955	Tube, Suction			

OPTIONAL PARTS (NOT INCLUDED)

PAINT, PRESSURIZED SPRAY (12 OZ.)

<u>Illus. No.</u>	<u>Part No.</u>	<u>Description</u>
	350942	White Primer
	350939	Enamel, Black
	350930	White
	8171357	Graphite

PAINT, TOUCH-UP (1/2OZ.)

<u>Illus. No.</u>	<u>Part No.</u>	<u>Description</u>
	72017	White
	72032	Black
	80051	Graphite
	W10134625	Apollo Grey

PAINT, BULK (1 QT.)

<u>Illus. No.</u>	<u>Part No.</u>	<u>Description</u>
	799344	White (Uncut)
	8171358	Graphite

MISCELLANEOUS

<u>Illus. No.</u>	<u>Part No.</u>	<u>Description</u>
	212643	Sealer, Gum (4 Feet)
	479502	Tape, Vinyl (3/4 x 108")
	505587	Sealer, Mastic (1 Qt)
	503695	Cork, Sealer
	542638	Grease, Silicone (1/2 Oz.)
	542639	Cement, Alumilastic (1 1/4 Oz.)
	833938	Kit, Terminal Connector

TORX SCREW WRENCH

<u>Illus. No.</u>	<u>Part No.</u>	<u>Description</u>
	1117510	Torx Key