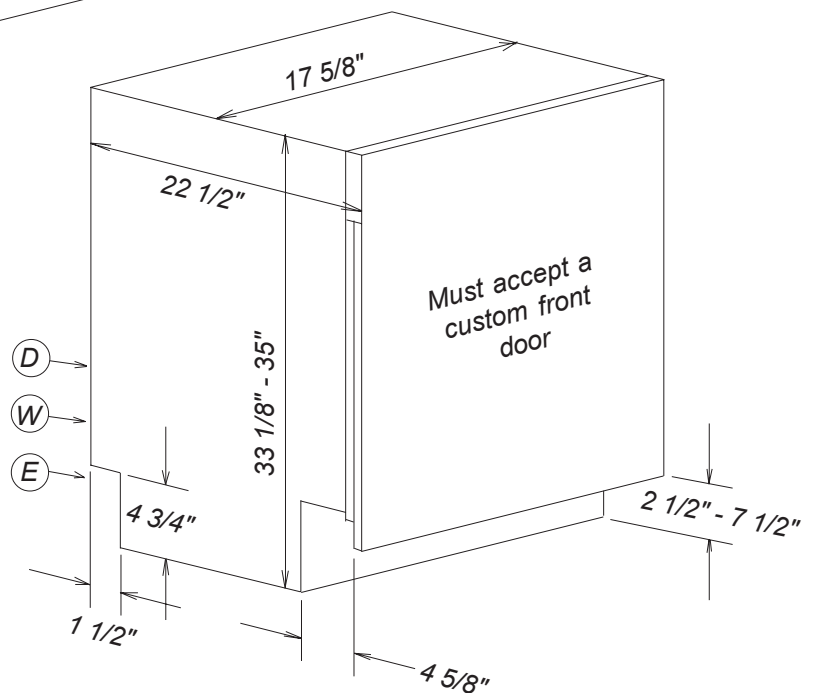
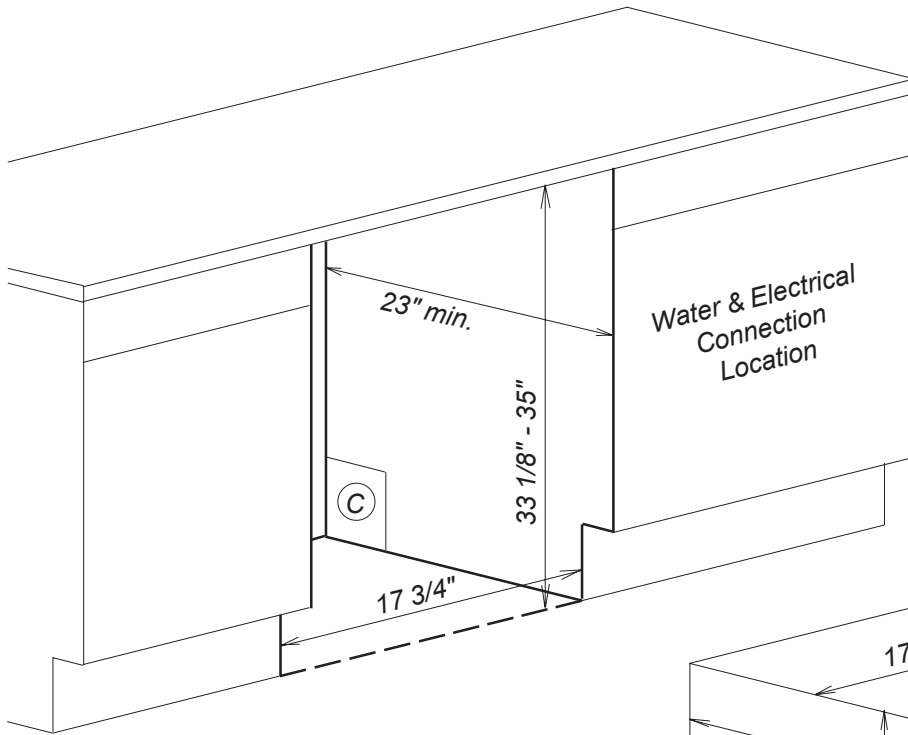


# Product and Cut-out Dimensions G800 Series Slimline Dishwashers Fully Integrated Models



### Location Codes

- C - Cutout (2 1/4" x 4") for Water, Drain and Electric pass-through. Adjust according to water and drain location.
- D - 5 foot flexible drain hose connects lower center rear.
- E - 5 foot - 120 Volt - 15 Amp 3-wire molded plug power supply connects lower left rear.
- W - 5 foot "Double Waterproof" flexible water intake hose connects lower center rear.

### Notes

- All Installations must be done in accordance with local codes
- Additional 2" in height may be attained by ordering extension feet (#2702600).
- Always use skis (included) during installation to insure proper levelling.

NOTE: Drawing is not to scale.  
SPECIFICATION SHEETS 010404

# Panel Information

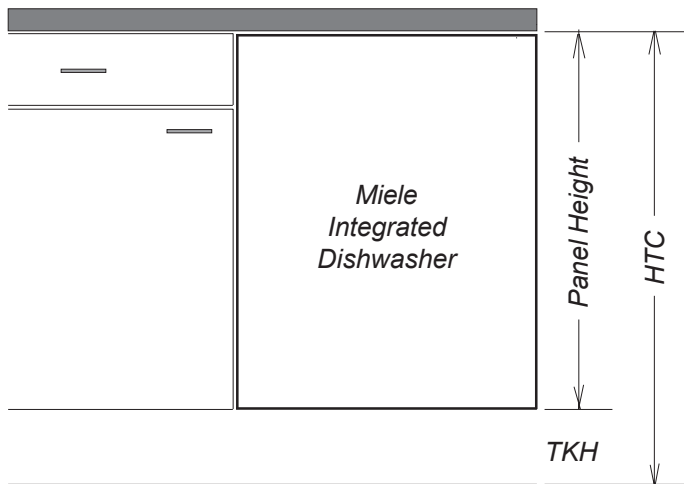
## Fully Integrated Models



### Custom Panel Installations

Miele Fully Integrated dishwashers do not come equipped with any front panel. These dishwashers are designed to accept a full height panel supplied by the custom cabinet maker.

Panel size is determined in the following manner:



**Width:** 17 1/2" in all cases

**Thickness:** 3/4" in all cases

**Height:** Determined using the following calculation:

$$\text{Panel Height} = \text{HTC} - \text{TKH}$$

**HTC** = Height to the underside of countertop

**TKH** = Toe Kick Height

**Note 1:** Control Panel is along top edge of unit. It is not visible when the unit is closed.

A handle **MUST** be located on the front panel in order to open the unit.

**Maximum Panel Weight:** 10 Pounds

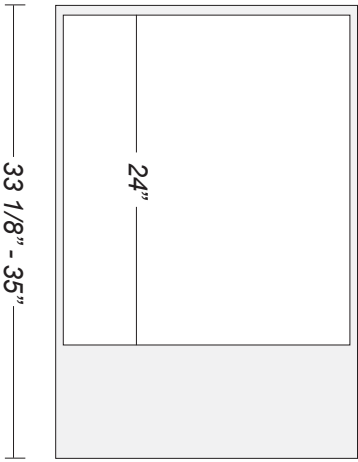
### GFVI Panel Installations

All Miele dishwashers do not come equipped with a front panel. Miele offers pre-fabricated stainless steel panels for all fully integrated units. These panels are designed for either 4" or 6" toekicks and are delivered without handles.

# Technical Information: Dishwashers



## G800 Series



Interior cabinet height

*Height to underside of countertop*

	32 1/2	33	33 1/2	34	34 1/2	35	35 1/2	36
2 1/2								
3								
3 1/2								
4								
4 1/2								
5								
5 1/2								
6								
6 1/2								
7								
7 1/2								
8								
8 1/2								
9								

*Toekick*

For Integrated installations

- Acceptable combinations
- Typical American installation

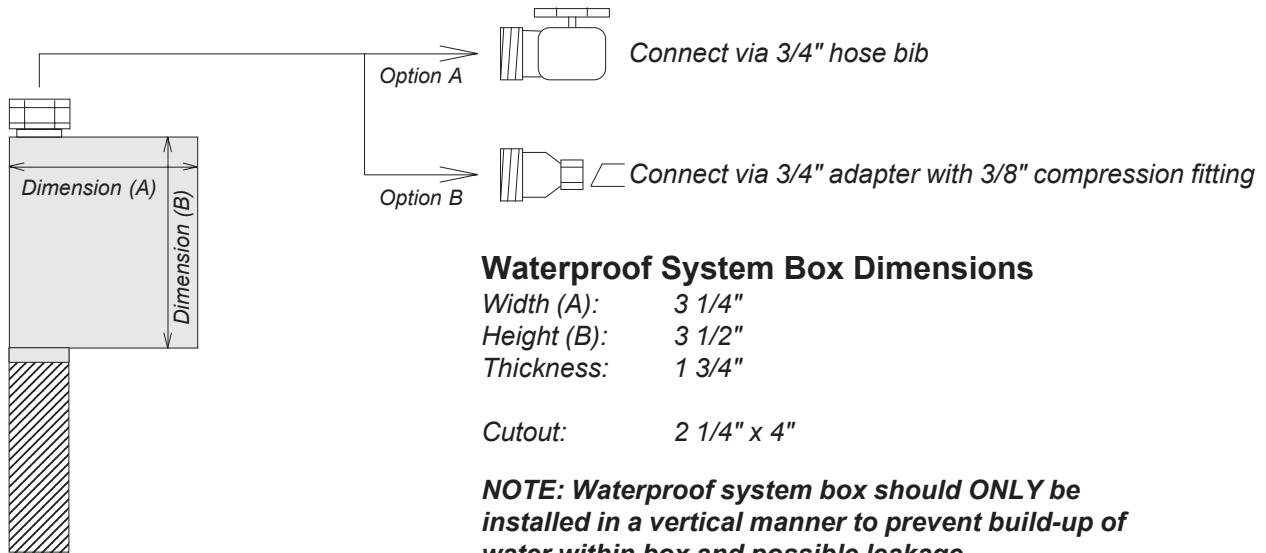
NOTE: Drawing is not to scale.  
SPECIFICATION SHEETS 010404

# Connection Information

## All Dishwasher Types



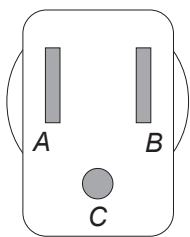
### Water Connection



#### Waterproof System

Temperature: 110° - 130° F  
Pressure: 4.5 - 145 PSI  
Drain hose: 7/8" ID - 5 feet long

### Electrical Connection



Voltage: 110 / 120 Volts  
Fuse: 15 Amperes

5 foot cable with molded plug provided.

Terminal A: Live 1 (Black)  
Terminal B: Neutral (White)  
Terminal C: Ground (Green)