

Futura Series

Fully Integrated Dishwashers

CLASSIC G 4286 SCVi, G 4286 SC SF
CRYSTAL G 5285 SCVi, G 5285 SC SF
DIMENSION G 5675 SCVi, G 5675 SC SF
DIAMOND G 5975 SCVi, G 5975 SC SF



AIMadison
Experience Authority™
800-570-3355

Futura Series Dishwashers

Model Overview

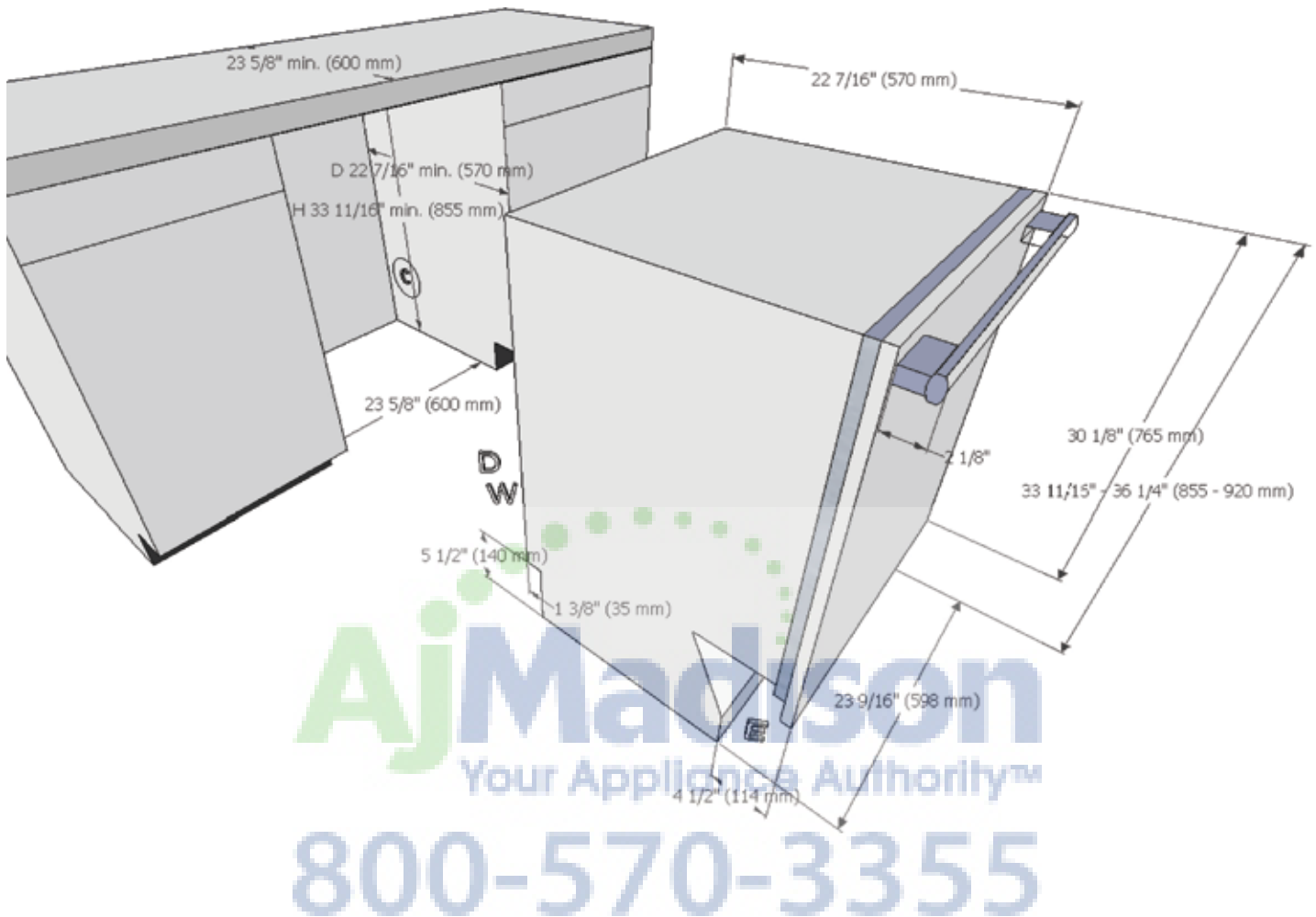


	CLASSIC	CRYSTAL	DIMENSION	DIMENSION SLIMLINE	DIAMOND	PROFI LINE
Baskets	FlexiCare	•				
	FlexiCare Plus		•		•	
	FlexiCare Premium			•		
	FlexiCare Deluxe				•	•
Cutlery	Cutlery basket	•	•			
	Cutlery tray	•	•		•	
	3D cutlery tray			•		•
Convenience	AutoClose				•	•
	BrilliantLight				•	•
	Delay Start	•	•	•	•	•
	RemoteVision™				•	
	ComfortClose	•	•	•	•	•
	Perfect GlassCare		•	•	•	•
	Water softener		•	•	•	•
	ADA compliant*	•*		•*	•	
	Q Acoustic ratings	Q1	Q2	Q4	Q3	Q5
Sensors	AutoSensor	•	•	•	•	
	SensorDry			•	•	
	Automatic Load-Size Sensor				•	
Finishes	Pre-finished (Black or White)	•	•	•	•	
	Pre-finished (Clean Touch Steel™)	•	•	•	•	
	Integrated - I (Clean Touch Steel™)	•	•	•	•	
	Fully Integrated - Vi (Custom Panel)	•	•	•	•	•
	Fully Integrated - SC SF (Clean Touch Steel™)	•	•	•	•	•
Programs	Normal	•	•	•	•	•
	Express	•	•	•	•	
	Rinse & Hold	•	•	•	•	
	SaniWash	•	•	•	•	
	Pots & Pans	•	•	•	•	•
	Economy	•				
	China & Crystal		•	•	•	•
	Turbo Mode	•	•	•	•	
	Intensive Mode			•	•	
Diamond Programs	ExtraQuiet		•		•	
	Heavy Soil				•	
	SensorWash				•	
	Light				•	
	Energy Saver				•	
	Plastics				•	•
	Starch/Cheese				•	
	Tall Items				•	
	Glass - No Rinse Aid (Warm)				•	
	Glass - No Rinse Aid (Cold)				•	
ProfiLine Programs	ProSpeed 23 minute cycle					•
	Universal					•
	Sanitize					•
	Beer Glasses					•
Drying	CleanAir™	•	•	•	•	•
	Advanced CleanAir™				•	•
	AutoOpen™ Drying			•	•	•

Your Appliance Authority™

 800-570-3355

* Classic G 4281 SCVi and Dimension G 5670 SCVi are ADA compliant



Location Codes

C - Cutout 1 3/8" x 1 3/4" (34 mm x 35 mm) for water, drain and electric pass-through.

Adjust according to water and drain location.

D - 5 foot (1.5 meter) flexible drain hose connects lower center rear.

E - 5 foot (1.5 meter)– 120 Volt – 15 Amp 3-wire molded plug power supply connects front terminal or can be hardwired.

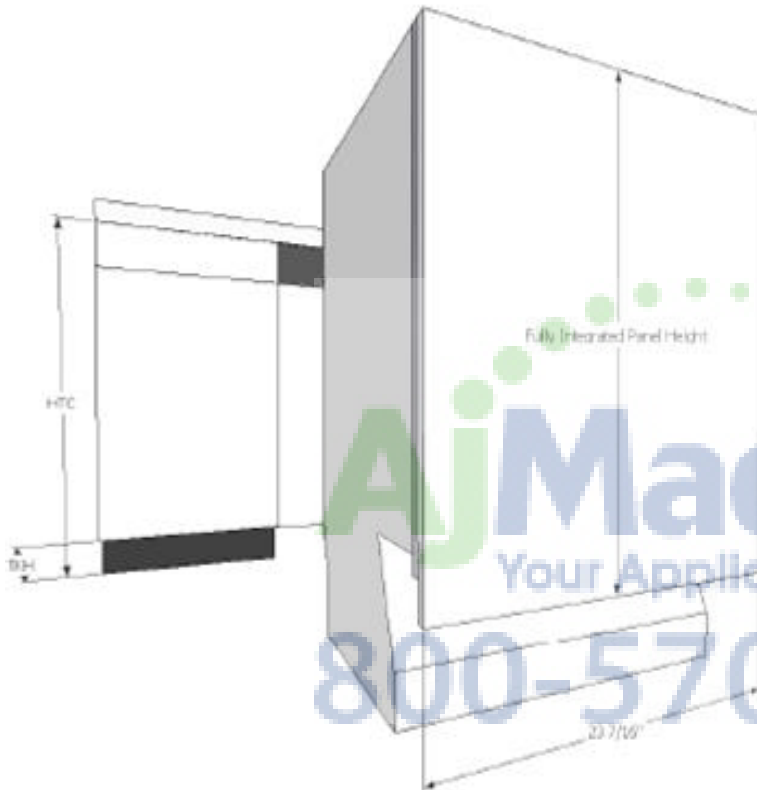
W - 5 foot flexible water intake hose with a 3/8" compression fitting nut connects lower center rear.

Notes

All installations must be done in accordance with local codes.

Drawing is not to scale

Specification Sheets OJS 11012011



Width: 23 7/16" (598 mm) in all cases

Thickness: 3/4" (19 mm) in all cases

Height: Determined using the following calculation:

$$\text{Panel Height} = \text{HTC} - \text{TKH}$$

HTC = Height to the underside of countertop

TKH = Toe kick height

Note: Control panel is along the top edge of the unit. It is not visible when the unit is closed. A handle **MUST** be located on the front panel in order to open the unit.

Maximum panel height: 31 7/8" (809 mm)

Minimum panel height: 27 3/16" (690 mm)

Maximum panel weight: 21 Pounds (9.5 kg)

		Height to underside of countertop									
		33 3/4	34	34 1/4	34 1/2	34 3/4	35	35 1/4	35 1/2	35 3/4	36
Toe Kick Height	2 1/2										
	3										
	3 1/2										
	4										
	4 1/2										
	5										
	5 1/2										
	6										
	6 1/2										
	7										
	7 1/2										
	8										
	8 1/2										

Yc Acceptable combinations Authority™

 800-570-3355

 Typical American installation