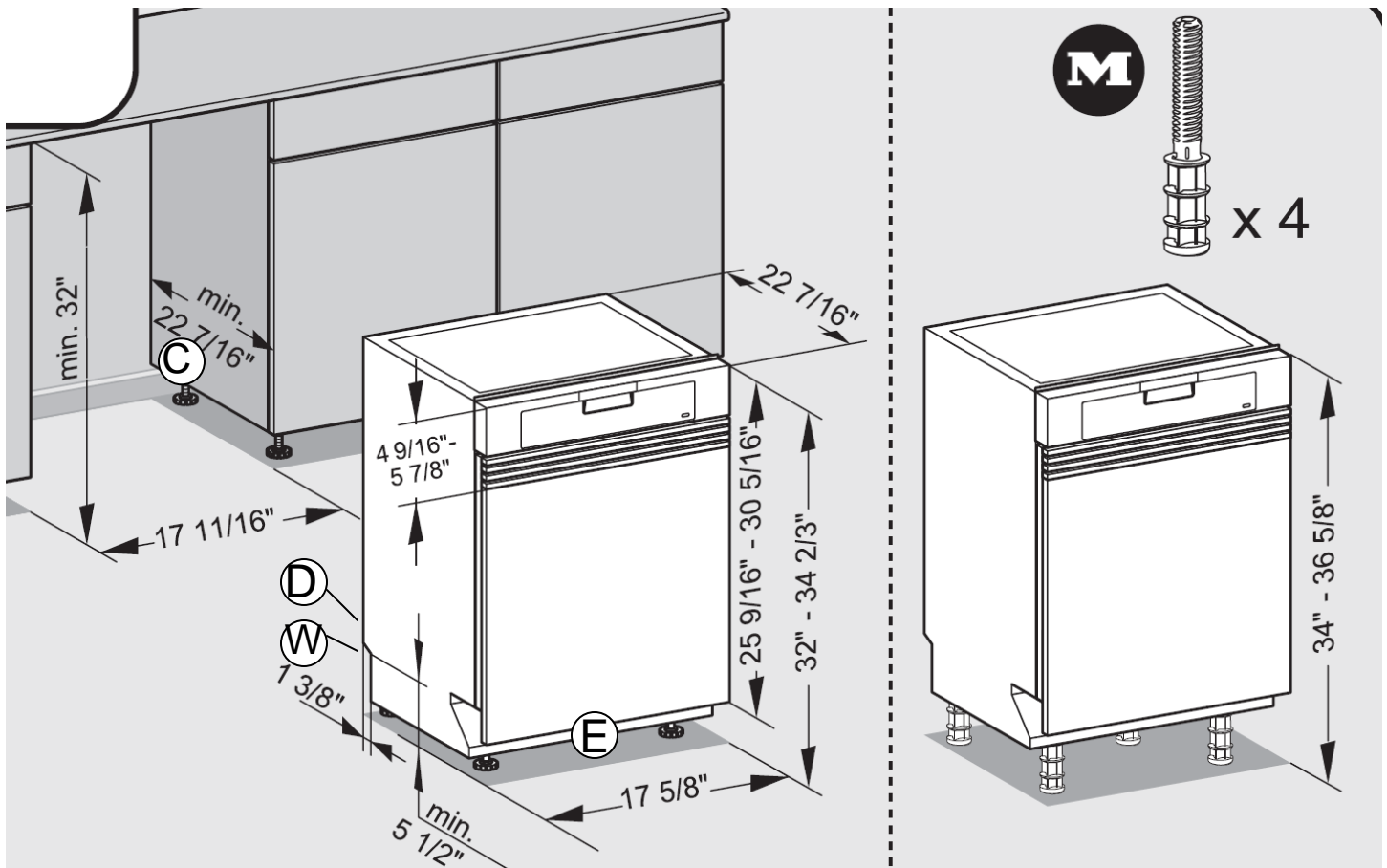


## Product and Cut-out Dimensions G4500 Integrated Slimline Series Dishwashers



### Location Codes

- C - Cutout (1 3/8" x 1 3/4") for water, drain and electric pass-through. Adjust according to water and drain location.
- D - 5 foot flexible drain hose connects lower center rear.
- E - 5 foot - 120 Volt - 15 Amp 3-wire molded plug power supply connects front terminal or can be hardwired.
- W - 5 foot flexible water intake hose with a 3/8" compression fitting nut connects lower center rear.

### Notes

- All installations must be done in accordance with local codes

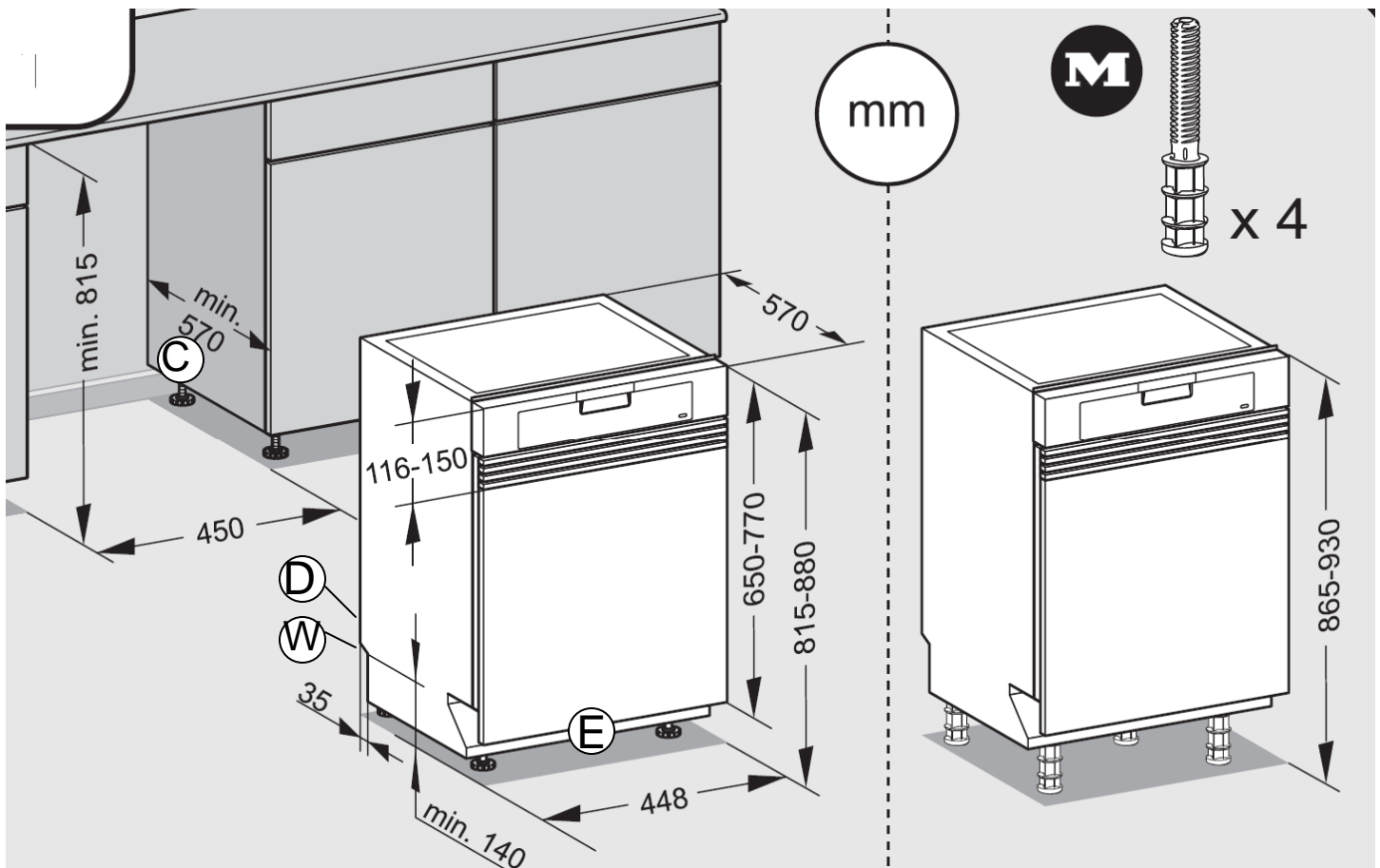
### M UBS-1

This is a special accessory available to order at extra cost

Note: Drawing is not to scale

Specification Sheets OJS 06272011

## Product and Cut-out Dimensions G4500 Integrated Slimline Series Dishwashers



Location Codes
C - Cutout (34mm x 35mm) for water, drain and electric pass-through. Adjust according to water and drain location.
D - 1.5 meter flexible drain hose connects lower center rear.
E - 1.5 meter - 120 Volt - 15 Amp 3-wire molded plug power supply connects at front terminal or can be hardwired..
W - 1.5 meter flexible water intake hose with a 3/8" compression fitting nut connects lower center rear.
Notes
• All installations must be done in accordance with local codes

### M UBS-1

This is a special accessory available to order at extra cost

Note: Drawing is not to scale

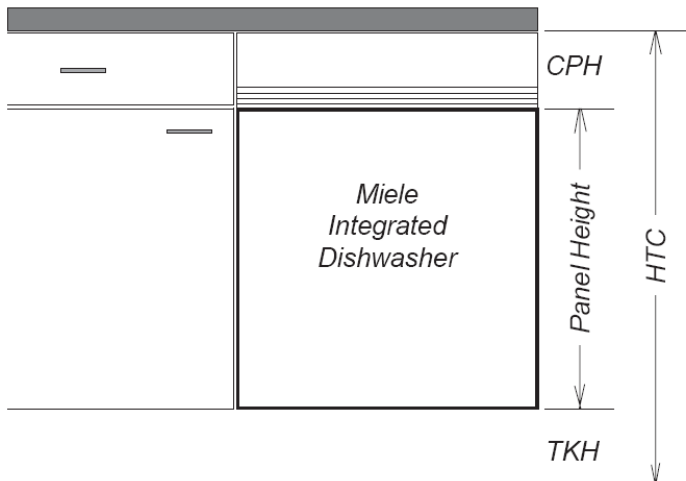
Specification Sheets OJS 06272011

# G4500 Integrated Slimline Series Dishwashers

## Custom Panel Installations

Some Miele dishwashers do not come equipped with a front panel. These dishwashers are designed to accept a custom door panel supplied by the cabinet maker. Miele has a unique panel integration system which allows the dishwasher to align with the surrounding cabinets.

Panel size is determined in the following manner:



**Width:** 17 1/2" (444.5 mm) in all cases

**Thickness:** 3/4" (19 mm) in all cases

**Height:** Determined using the following calculation:

$$\text{Panel Height} = \text{HTC} - \text{CPH} - \text{TKH}$$

**HTC** = Height to the underside of countertop

**CPH** = Control panel height (Note 1)

**TKH** = Toe-kick height

**Note 1:** Control Panel Height is determined by the height of the drawers in the cabinets. This height is adjustable between 4 5/8" and 5 7/8" with spacer strips provided.

**Maximum panel height:** 27 1/4" (692 mm)

**Minimum panel height:** 21 1/4" (540 mm)

**Maximum panel weight:**

White / Black 23 Pounds (10.4 kg)

Stainless Steel 19 Pounds (8.6 kg)

## GDU Kit Installations

In lieu of a custom front, Miele offers a decorative panel system called a GDU kit. GDU kits vary depending upon the model chosen. Each GDU kit contains a front panel and a toe-kick cover.

Note: Drawing is not to scale

Specification Sheets OJS 06272011