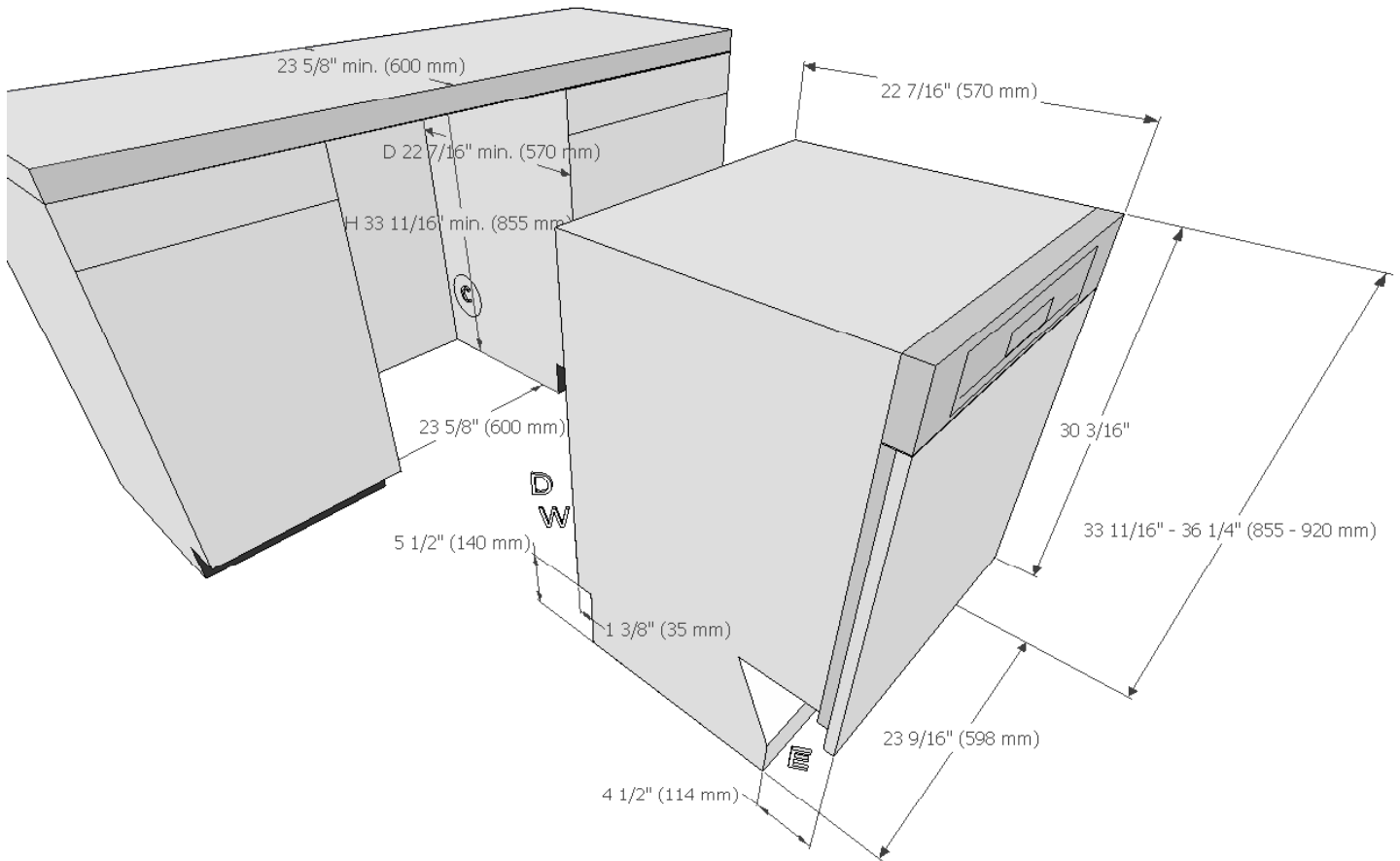


Product and Cut-out Dimensions

Classic G 4205 SC Prefinished Dishwasher



Location Codes

C - Cutout 1 3/8" x 1 3/4" (34 mm x 35 mm) for water, drain and electric pass-through.

Adjust according to water and drain location.

D - 5 foot (1.5 meter) flexible drain hose connects lower center rear.

E - 5 foot (1.5 meter)– 120 Volt – 15 Amp 3-wire molded plug power supply connects front terminal or can be hardwired.

W - 5 foot flexible water intake hose with a 3/8" compression fitting nut connects lower center rear.

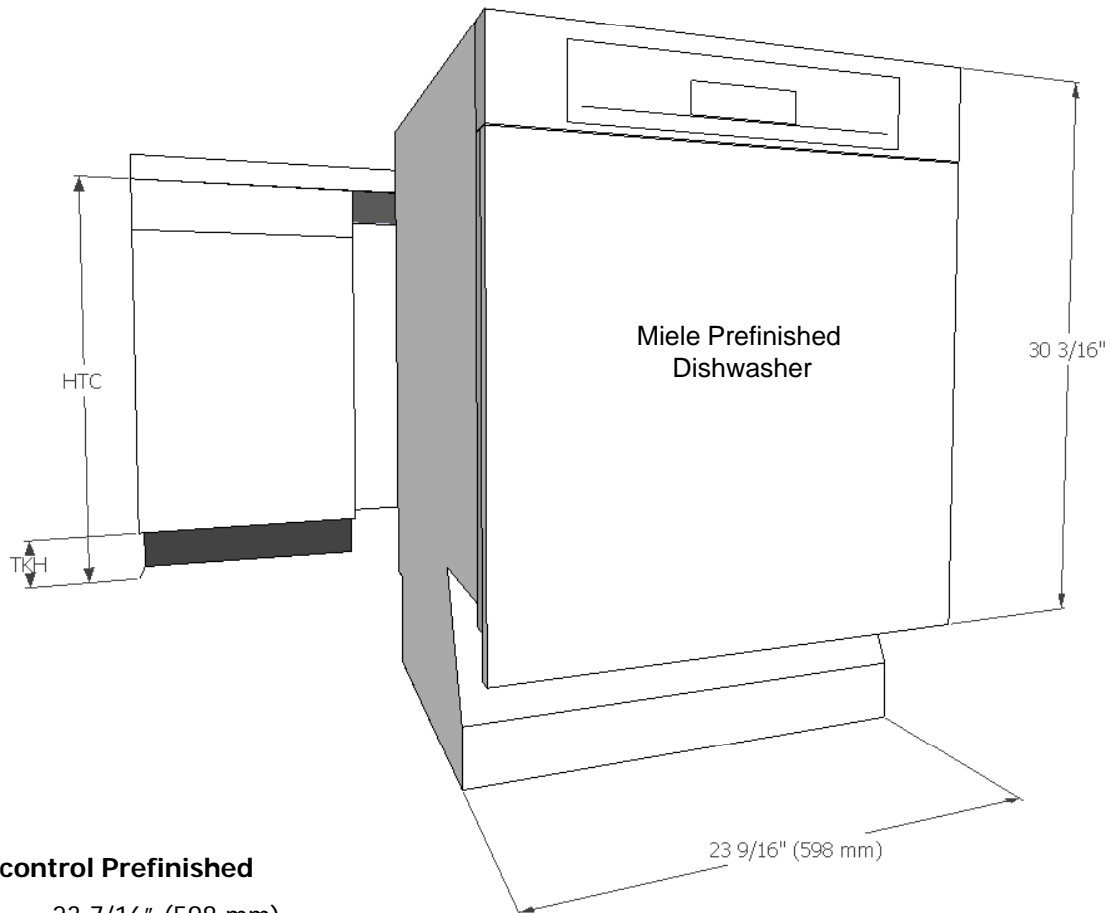
Notes

All installations must be done in accordance with local codes.

Drawing is not to scale

Product and Cut-out Dimensions

Classic G 4205 SC Prefinished Dishwasher

**Panel and control Prefinished**

Width: 23 7/16" (598 mm)

Thickness: 3/4" (19 mm)

Height: 30 3/16" (767 mm)

Calculating the toe kick height

$$30 \frac{3}{16}'' - \text{HTC} = \text{TKH}$$

HTC = Height to the underside of countertop

TKH = Toe kick height

Product and Cut-out Dimensions

Classic G 4205 SC Prefinished Dishwasher

		Height to underside of countertop									
		33 3/4	34	34 1/4	34 1/2	34 3/4	35	35 1/4	35 1/2	35 3/4	36
Toe Kick Height	2 1/2										
	3										
	3 1/2										
	4										
	4 1/2										
	5										
	5 1/2										
	6										
	6 1/2										
	7										
	7 1/2										
	8										
	8 1/2										

Acceptable combinations
 Typical American installation