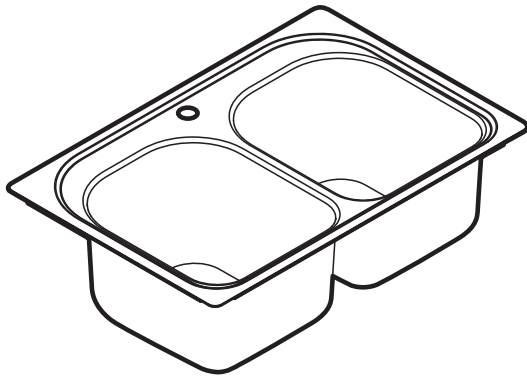




Buy it for looks. Buy it for life.®

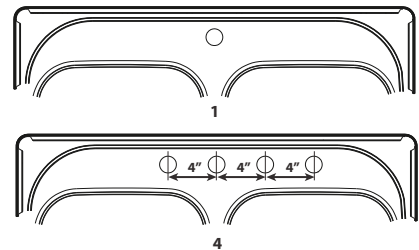
# Specifications



Model Number	Faucet Holes	Depth-Inches	Drain Placement	Quantity	Model Specified
G182571	1	10	Rear	1	
G182574	4	10	Rear	1	

## Faucet Hole Configurations

1-1/2" (38mm) diameter faucet holes  
4" (102mm) Center



## SINK DESCRIPTION

- 1800 Series double bowl drop-in sink
- 18 gauge stainless steel, Brushed finish
- Center or rear drain, 1 to 4 faucet holes as indicated
- U-channel mounting system, hardware included
- SoundSHIELD™ sound absorbing system

## CUT OUT DIMENSIONS

- 32 3/8" x 21 3/8" with 3/8" corner radius. Tolerance of plus or minus 1/16" is acceptable

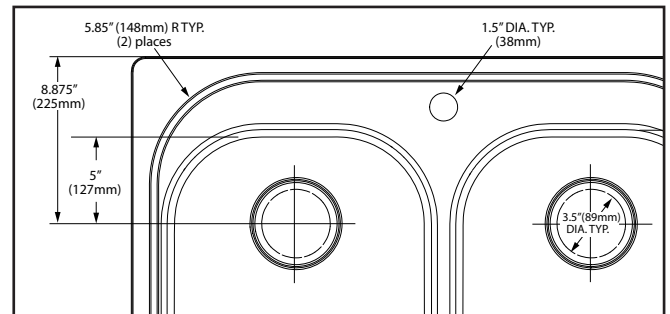
## STANDARDS

- Third party certified by IAPMO to meet ASME A112.19.3 and all applicable specifications referenced therein

## WARRANTY

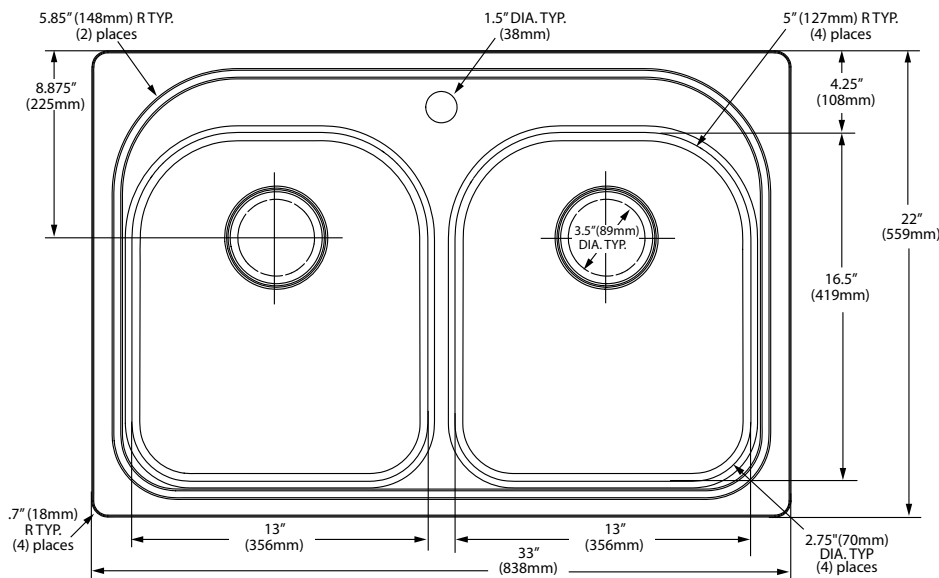
- Limited lifetime warranty against material or manufacturing defects to the original consumer purchaser

## Rear Drain Configuration



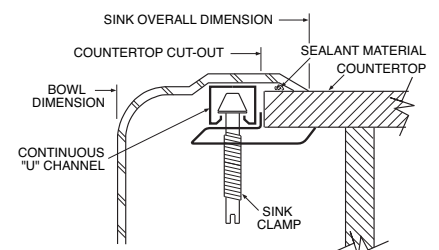
## CRITICAL DIMENSIONS

(DO NOT SCALE)



MADE IN THE USA

## Installation Detail



FOR MORE INFORMATION CALL: 1-800-BUY-MOEN

www.moen.com