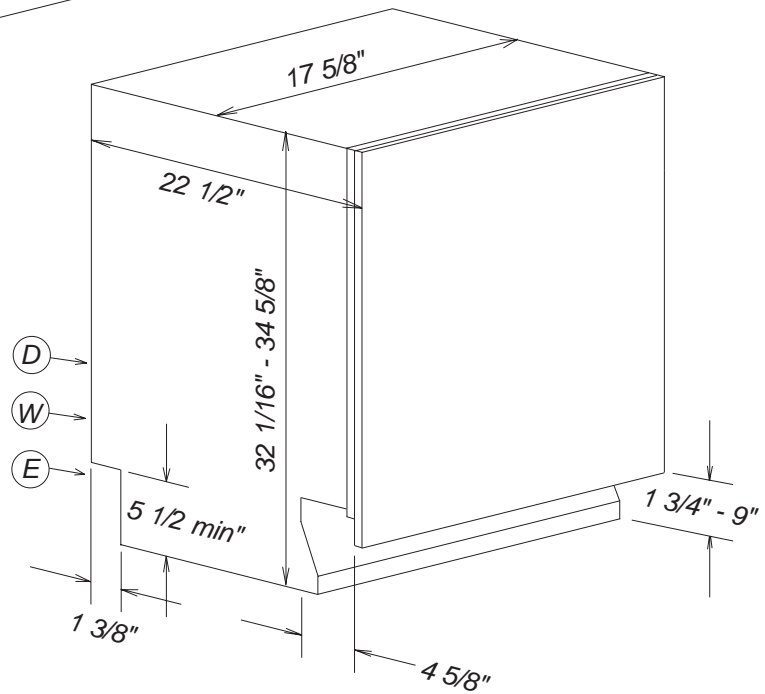
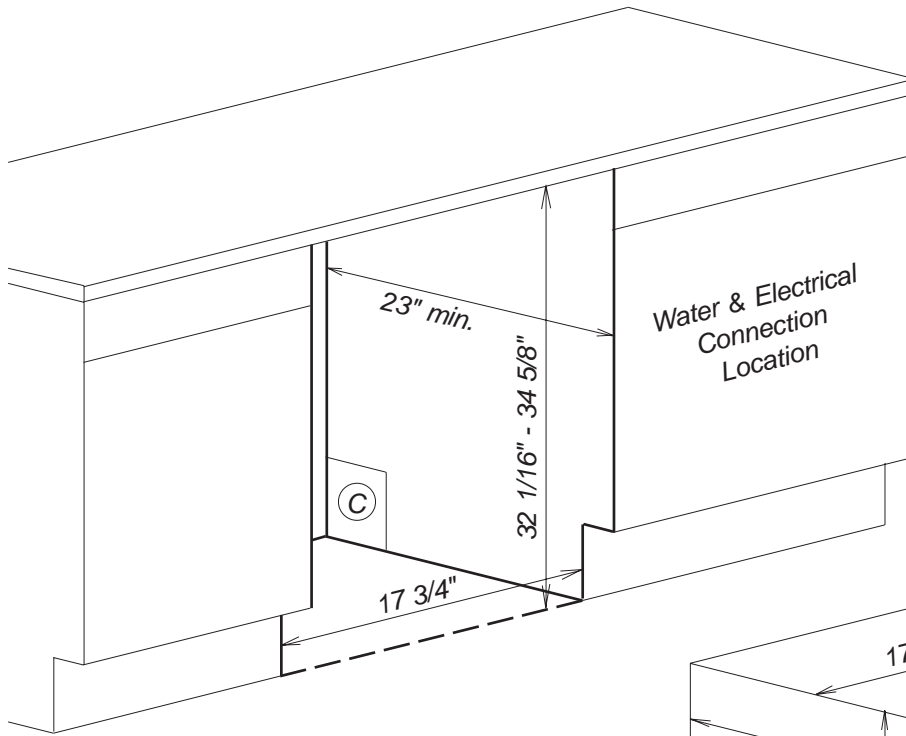


Product and Cut-out Dimensions G1262SCVi Slimline Dishwasher

Miele



Location Codes

- C - Cutout (2 1/4" x 4") for water, drain and electric pass-through. Adjust according to water and drain location.
- D - 5 foot flexible drain hose connects lower center rear.
- E - 5 foot - 120 Volt - 15 Amp 3-wire molded plug power supply connects lower left rear.
- W - 5 foot "Double Waterproof" flexible water intake hose connects lower center rear.

Notes

- All installations must be done in accordance with local codes
- Additional 2" in height may be attained by ordering extension feet

NOTE: Drawing is not to scale.
SPECIFICATION SHEETS 011008

Front Panel Information

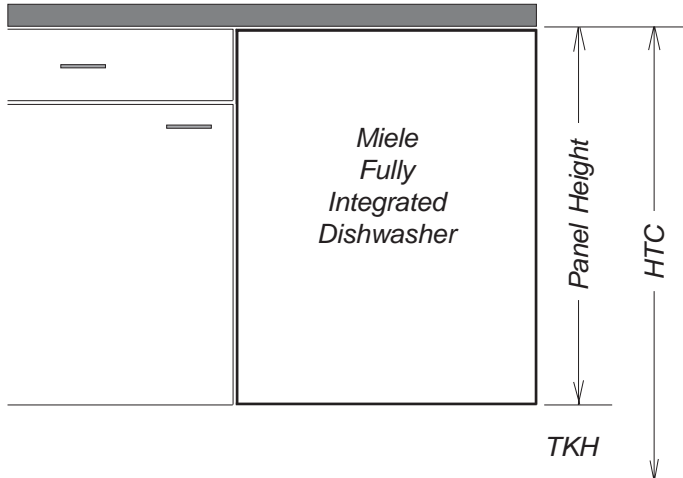
G1262SC Fully Integrated Models



Custom Panel Installations

Some Miele dishwashers do not come equipped with a front panel. These dishwashers are designed to accept a custom door panel supplied by the cabinet maker. Miele has a unique panel integration system which allows the dishwasher to align with the surrounding cabinets.

Panel size is determined in the following manner:



Width: 17 1/2" in all cases

Thickness: 3/4" in all cases

Height: Determined using the following calculation:

$$\text{Panel Height} = \text{HTC} - \text{TKH}$$

HTC = Height to the underside of countertop

TKH = Toe-kick height

Note: Control panel is along the top edge of the unit. It is not visible when the unit is closed.
A handle **MUST** be located on the front panel in order to open the unit

Maximum panel height: 31 7/8"

Minimum panel height: 27 3/16"

Maximum panel weight: 21 Pounds

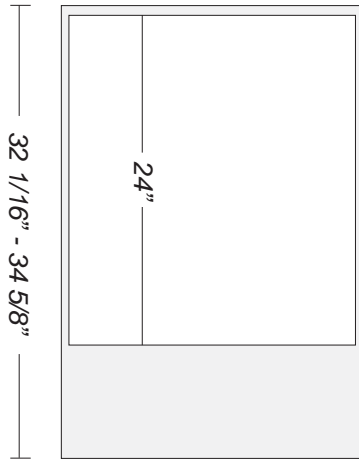
GFVi Installations

Miele offers pre-fabricated stainless steel panels for all fully integrated units. These panels are designed for various toe-kick heights and offer a choice of handle options.

Technical Information: Dishwashers



G2000 Series



Interior cabinet height

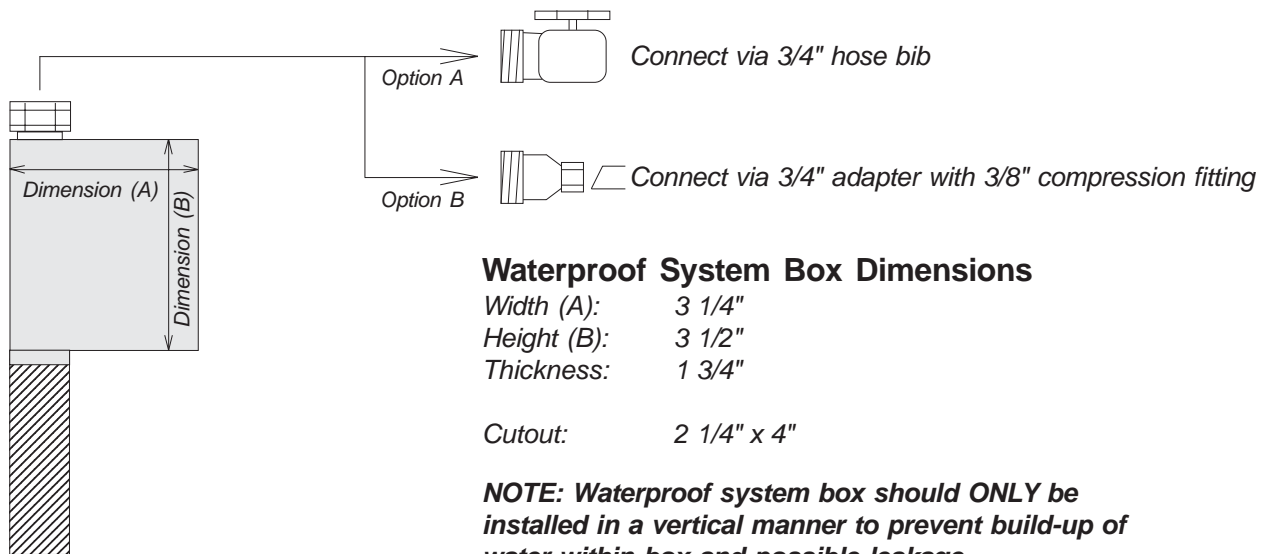
Height to underside of countertop

	32 1/2	33	33 1/2	34	34 1/2	35	35 1/2	36
2 1/2	Acceptable	Acceptable						
3	Acceptable	Acceptable	Acceptable					
3 1/2	Acceptable	Acceptable	Acceptable	Acceptable				
4	Acceptable	Acceptable	Acceptable	Acceptable	Typical American			
4 1/2	Acceptable	Acceptable	Acceptable	Acceptable	Acceptable	With extension feet		
5	Acceptable	Acceptable	Acceptable	Acceptable	Acceptable	With extension feet	With extension feet	
5 1/2	Acceptable	Acceptable	Acceptable	Acceptable	Acceptable	With extension feet	With extension feet	With extension feet
6	Acceptable	Acceptable	Acceptable	Acceptable	Acceptable	With extension feet	With extension feet	With extension feet
6 1/2	Acceptable	Acceptable	Acceptable	Acceptable	Acceptable	With extension feet	With extension feet	With extension feet
7		Acceptable	Acceptable	Acceptable	Acceptable	With extension feet	With extension feet	With extension feet
7 1/2			Acceptable	Acceptable	Acceptable	With extension feet	With extension feet	With extension feet
8				Acceptable	Acceptable	With extension feet	With extension feet	With extension feet
8 1/2					Acceptable	With extension feet	With extension feet	With extension feet
9						With extension feet	With extension feet	With extension feet

For Fully Integrated installations

- Acceptable combinations
- Typical American installation
- With extension feet

Water Connection



Waterproof System Box Dimensions

Width (A): 3 1/4"
 Height (B): 3 1/2"
 Thickness: 1 3/4"

Cutout: 2 1/4" x 4"

NOTE: Waterproof system box should ONLY be installed in a vertical manner to prevent build-up of water within box and possible leakage.

Waterproof System

Temperature: 110° - 130° F
 Pressure: 4.5 - 145 PSI
 Drain hose: 7/8" ID - 5 feet long

NOTE: Drawing is not to scale.
 SPECIFICATION SHEETS 011008