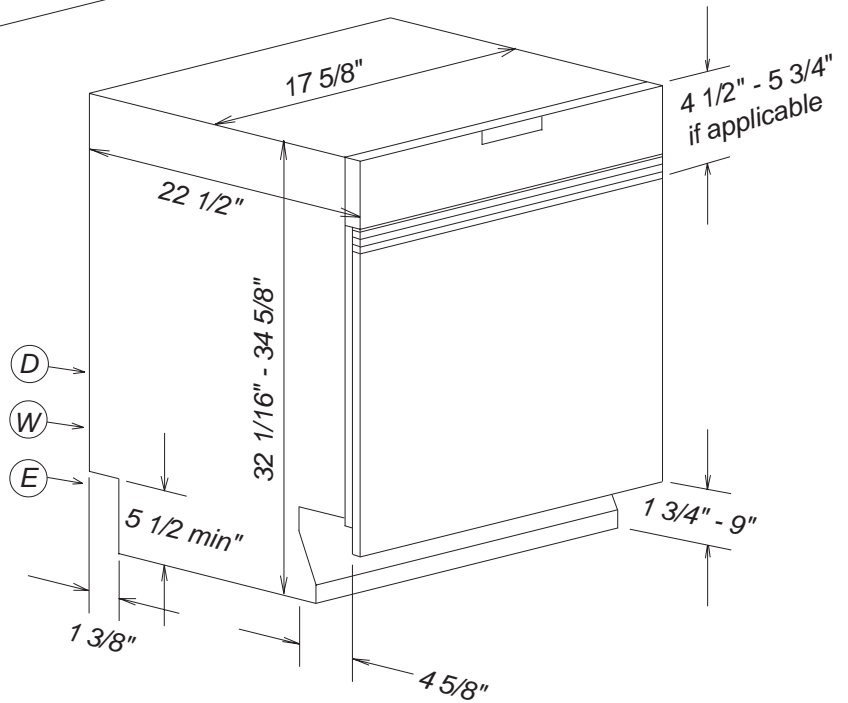
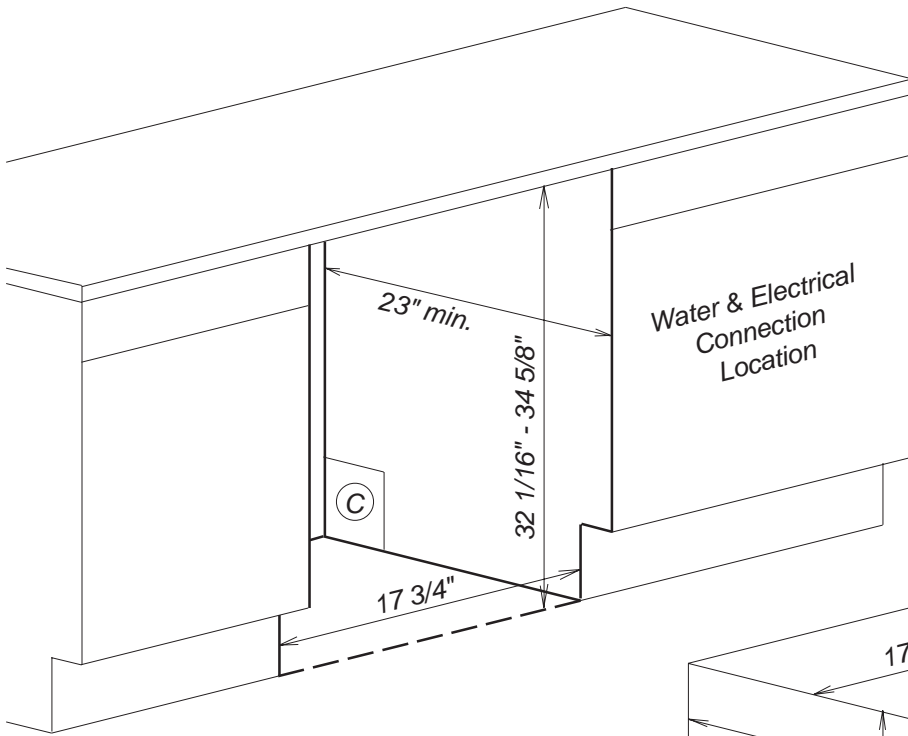


# Product and Cut-out Dimensions G120SCi Slimline Dishwasher



Location Codes
C - Cutout (2 1/4" x 4") for water, drain and electric pass-through. Adjust according to water and drain location.
D - 5 foot flexible drain hose connects lower center rear.
E - 5 foot - 120 Volt - 15 Amp 3-wire molded plug power supply connects lower left rear.
W - 5 foot "Double Waterproof" flexible water intake hose connects lower center rear.
Notes
<ul style="list-style-type: none"> <li>All installations must be done in accordance with local codes</li> <li>Additional 2" in height may be attained by ordering extension feet</li> </ul>

NOTE: Drawing is not to scale.  
SPECIFICATION SHEETS 011008

# Front Panel Information

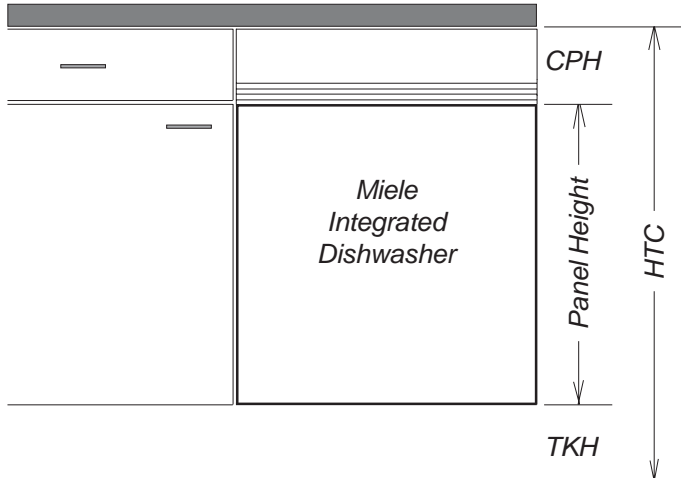
## G1202SC Integrated Models



### Custom Panel Installations

*Some Miele dishwashers do not come equipped with a front panel. These dishwashers are designed to accept a custom door panel supplied by the cabinet maker. Miele has a unique panel integration system which allows the dishwasher to align with the surrounding cabinets.*

Panel size is determined in the following manner:



**Width:** 17 1/2" in all cases

**Thickness:** 3/4" in all cases

**Height:** Determined using the following calculation:

$$\text{Panel Height} = \text{HTC} - \text{CPH} - \text{TKH}$$

**HTC** = Height to the underside of countertop

**CPH** = Control panel height (Note 1)

**TKH** = Toe-kick height

**Note 1:** Control Panel Height is determined by the height of the drawers in the cabinets. This height is adjustable between 4 5/8" and 5 7/8" with spacer strips provided.

**Maximum panel height:** 27 1/4"

**Minimum panel height:** 21 1/4"

**Maximum panel weight:**

White / Black 23 Pounds

Stainless Steel 19 Pounds

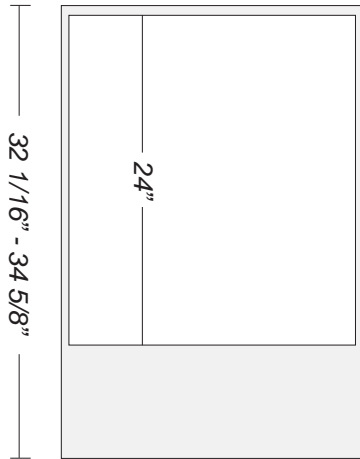
### GDU Kit Installations

*In lieu of a custom front, Miele offers a decorative panel system called a GDU kit. GDU kits vary depending upon the model chosen. Each GDU kit contains a front panel and a toe-kick cover.*

# Technical Information: Dishwashers



## G2000 Series



Interior cabinet height

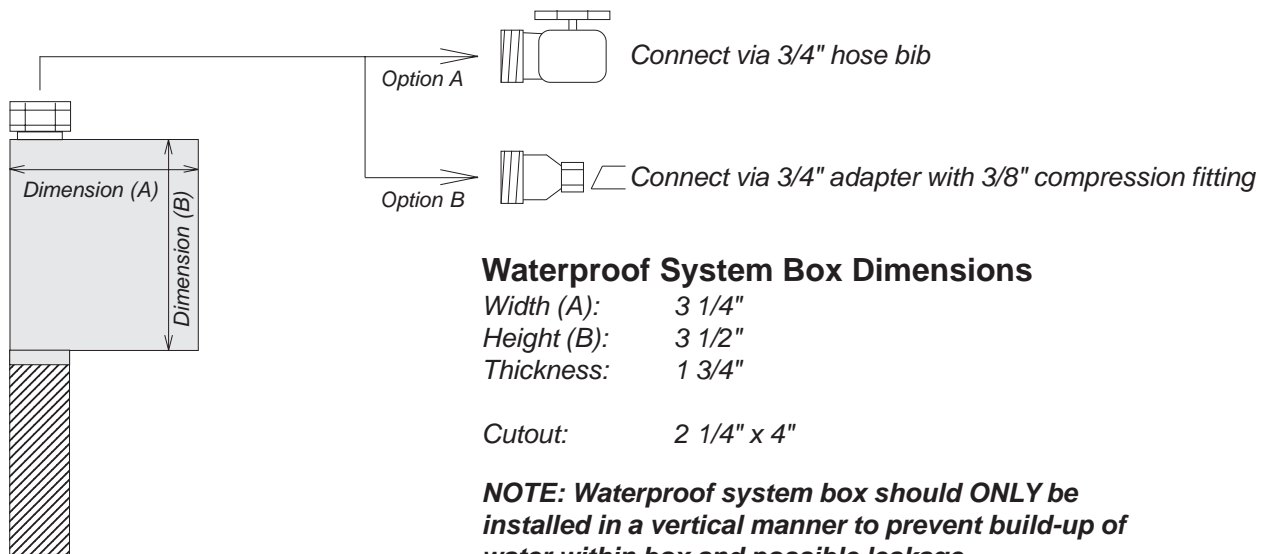
Height to underside of countertop

	32 1/2	33	33 1/2	34	34 1/2	35	35 1/2	36
2 1/2	Acceptable	Acceptable						
3	Acceptable	Acceptable	Acceptable					
3 1/2	Acceptable	Acceptable	Acceptable	Acceptable				
4	Acceptable	Acceptable	Acceptable	Acceptable	Typical American			
4 1/2	Acceptable	Acceptable	Acceptable	Acceptable	Acceptable	With extension feet		
5	Acceptable	Acceptable	Acceptable	Acceptable	Acceptable	With extension feet	With extension feet	
5 1/2	Acceptable	Acceptable	Acceptable	Acceptable	Acceptable	With extension feet	With extension feet	With extension feet
6	Acceptable	Acceptable	Acceptable	Acceptable	Acceptable	With extension feet	With extension feet	With extension feet
6 1/2	Acceptable	Acceptable	Acceptable	Acceptable	Acceptable	With extension feet	With extension feet	With extension feet
7		Acceptable	Acceptable	Acceptable	Acceptable	With extension feet	With extension feet	With extension feet
7 1/2			Acceptable	Acceptable	Acceptable	With extension feet	With extension feet	With extension feet
8				Acceptable	Acceptable	With extension feet	With extension feet	With extension feet
8 1/2					Acceptable	With extension feet	With extension feet	With extension feet
9						With extension feet	With extension feet	With extension feet

For Integrated installations

- Acceptable combinations
- Typical American installation
- With extension feet

## Water Connection



### Waterproof System Box Dimensions

Width (A): 3 1/4"  
 Height (B): 3 1/2"  
 Thickness: 1 3/4"

Cutout: 2 1/4" x 4"

**NOTE: Waterproof system box should ONLY be installed in a vertical manner to prevent build-up of water within box and possible leakage.**

### Waterproof System

Temperature: 110° - 130° F  
 Pressure: 4.5 - 145 PSI  
 Drain hose: 7/8" ID - 5 feet long

NOTE: Drawing is not to scale.  
 SPECIFICATION SHEETS 011008