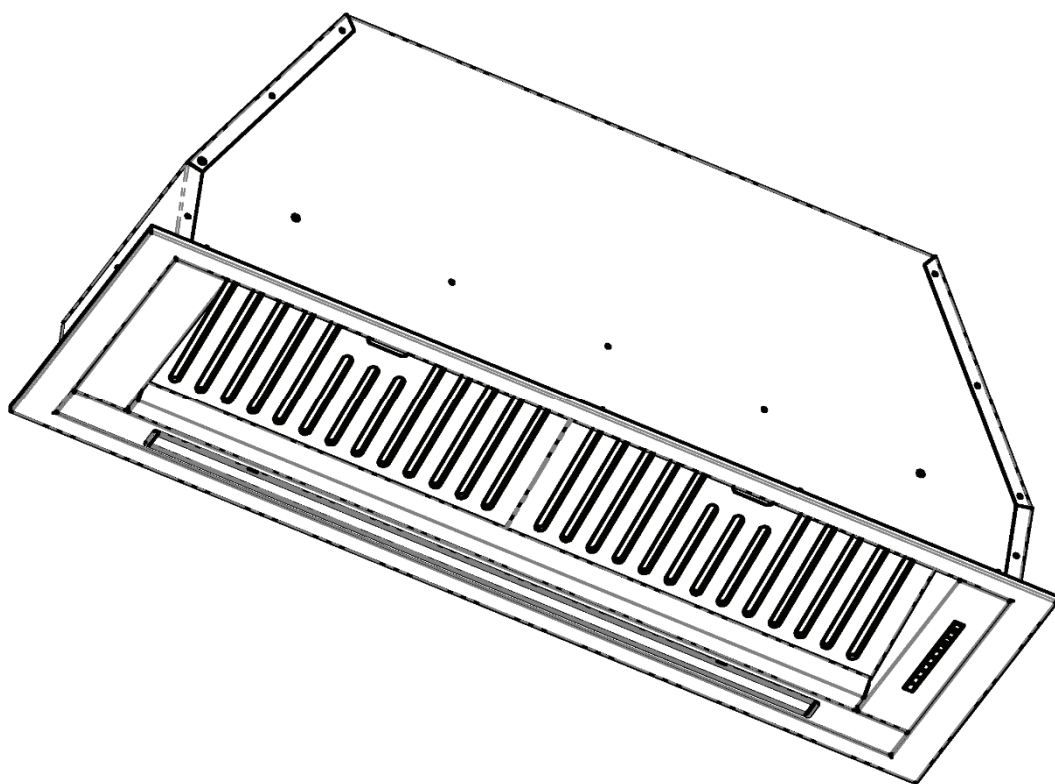


Futuro Futuro

DESIGNO



INSTALLATION, OPERATING AND MAINTENANCE GUIDE

I GENERAL.....	3
II WARNINGS	3
III INSTALLATION	4
III.1 Preliminary Indications.....	4
III.2 Fixing the hood to the cabinet.....	5
III.3 Electrical Connection.....	5
IV USE.....	6
V OPERATION	6
V.1 Operating the hood controls	6
V.2 Remote control operation	6
V.3 Adjustable and delayed self-switching off	7
V.4 Maintenance reminder	7
VI MAINTENANCE AND CLEANING	7
VI.1 Metal anti-grease filter	7
VI.2 Openable panel	8
VI.3 Activated carbon filter (for filtering hoods)	8
VI.4 Hood Cleaning	8
VI.5 Lighting.....	8
VII DISCONTINUATION	8

I GENERAL

Installation, operating and maintenance instructions for cooker hood model HIDE.

120V - 60HZ

READ AND SAVE THESE INSTRUCTIONS

II WARNINGS

CAUTION: Automatically Operated Device - To Reduce The Risk Of Injury Disconnect From Power Supply Before Servicing.

WARNING: To Reduce The Risk Of Fire Or Electric Shock, Do Not Use This Fan With Any Solid-State Speed Control Device.

PAY ATTENTION TO:

- A) THE NEED FOR FREQUENT CLEANING OF ALL GREASE FROM THE FAN AND FROM ALL OTHER GREASE-LADEN SURFACES;
- B) THE NEED FOR FREQUENT REMOVAL AND CLEANING OF ANY FILTER UNIT PROVIDED.

WARNING: To provide protection against electric shock, connect to properly grounded outlets only.

For Residential Use Only

WARNING: GROUNDING INSTRUCTIONS

This appliance must be grounded. In the event of an electrical short circuit, grounding reduces the risk of electric shock by providing an escape wire for the electric current. This appliance is equipped with a cord having a grounding wire with a grounding plug. The plug must be plugged into an outlet that is properly installed and grounded.

WARNING - Improper grounding can result in a risk of electric shock.

Consult a qualified electrician if the grounding instructions are not completely understood, or if doubt exists as to whether the appliance is properly grounded. Do not use an extension cord. If the power supply cord is too short, have a qualified electrician install an outlet near the appliance.

WARNING - TO REDUCE THE RISK OF FIRE, USE ONLY METAL DUCTWORK.

WARNING - TO REDUCE THE RISK OF A RANGE TOP GREASE FIRE:

- a) Never leave surface units unattended at high settings. Boilovers cause smoking and greasy spillovers that may ignite. Heat oils slowly on low or medium settings.
- b) Always turn hood ON when cooking at high heat or when flambeing food (i.e. Crepes Suzette, Cherries Jubilee, Peppercorn Beef Flambe').
- c) Clean ventilating fans frequently. Grease should not be allowed to accumulate on fan or filter.
- d) Use proper pan size. Always use cookware appropriate for the size of the surface element.

WARNING - TO REDUCE THE RISK OF INJURY TO PERSONS IN THE EVENT OF A RANGE TOP GREASE FIRE, OBSERVE THE FOLLOWING:

- a) **SMOTHER FLAMES** with a close-fitting lid, cookie sheet, or metal tray, then turn off the burner. **BE CAREFUL TO PREVENT BURNS.** If the flames do not go out immediately, **EVACUATE AND CALL THE FIRE DEPARTMENT.**
- b) **NEVER PICK UP A FLAMING PAN - You may be burned.**
- c) **DO NOT USE WATER**, including wet dishcloths or towels - a violent steam explosion will result.
- d) Use an extinguisher **ONLY** if:
 - 1) You know you have a Class ABC extinguisher, and you already know how to operate it.
 - 2) The fire is small and contained in the area where it started.
 - 3) The fire department is being called.
 - 4) You can fight the fire with your back to an exit.

THE MINIMUM DISTANCE BETWEEN THE SUPPORTING SURFACE OF THE COOKING HOB AND THE LOWEST PART OF THE RANGE HOOD MUST BE NOT LESS THAN 26IN (65 CM) WITH A GAS HOB.

READ AND SAVE THESE INSTRUCTIONS

Keep these instructions in a safe place and pass them on to any future user. Read these instructions carefully before installing or using the range hood.

Before connecting the appliance to the power supply make sure that the voltage (V) and frequency (Hz) listed on the data plate correspond with the household electrical supply. This data must correspond to prevent appliance damage.

Installation work and repairs should only be performed by a qualified technician under all applicable codes and standards. Repairs and other work by unqualified persons could be dangerous.

In the event of a fault, please contact the Technical Service authorized to provide genuine parts. When contacting the Technical Service, please quote the model and the serial number of your appliance. These are shown on the data plate.

Ensure that power to the appliance is OFF while the appliance is not in use.

During thunderstorms switch-off the main switch of the house electrical system or if the device is equipped with a plug, simply unplug it.

Use this appliance only in the manner intended by the manufacturer and no other than exhausting cooking fumes on domestic kitchens.

The manufacturer does not accept any liability for damages caused by people, animals, or things, by installation and maintenance mistakes, or by any illegitimate use.

Observe the following essential safety instructions during the use of any electrical appliance:

- This appliance is not intended for use by persons (including children) with reduced physical, sensory or mental capabilities, or lack of experience and knowledge unless they have been given supervision or instruction concerning the use of the appliance by a person responsible for their safety. Children should be supervised to ensure that they do not play with the appliance.

- To prevent the risk of fire it is compulsory to disconnect the appliance from the power supply before cleaning or servicing the hood;

- Do not pull, take off, or twist the cable coming out from the appliance, even though this has been disconnected from the main power supply.

- Do not sprinkle or throw any water directly on the appliance.

- Do not stick any sharp tool inside the exhausting holes and into the air outlet.

- Do not take out the filters to reach the internal sides of the appliance in case the main switch of the house electrical system is not off.

- Do not flambé or grill with an open flame beneath the hood. Flames could be drawn up into the hood by the suction and the filters may ignite.

- Pay particular attention while frying. Heat oils slowly on low or medium settings.

- CAUTION: Accessible parts may become hot when used with cooking appliances.

- It is forbidden to use the hood as a support surface unless it is expressly indicated.

- Only use the fixing screws supplied with the product for installation.



CAUTION: Accessible parts may become hot when used with cooking appliances.

III INSTALLATION

III.1 Preliminary Indications

Carefully read the guide before installation and use of the appliances.

The installation requires safety equipment and a range of tools as per Fig. 3.1.1.

With the hood correctly installed, the minimum distance between the supporting surface of the cooking hob and the lowest part of the range hood must be not less than 28in - 30in for both electric and gas cooktops (Fig. 3.1.2).

If the mounting instructions of the gas hob indicate a wider distance, respect it.

It must not be superimposed on stoves with an upper radiating plate.

Respect all the air discharge regulations.

The air must not be discharged in a pipe used to discharge exhaust fumes produced by gas-fed equipment or fuel-fed equipment.

The room must be adequately ventilated when the hood is used together with other gas or fuel types of equipment.

The hood is equipped with all the necessary fastenings for its installation, which are suitable for most surfaces.

Verify that the installation surface is strong.

Installation must be carried out by qualified installers according to present regulations.

III.2 Fixing the hood to the cabinet

To install the hood in the wall unit, the measurements in Fig. 3.2.1 must be observed.

Turn the main switch of the system to "off".

This cookerhood model can vent out of the top or of the back.

Choose the vent option before the installation.

→ To install the cookerhood vent out of the top, follow the steps indicated below:

For the correct installation of the hood, it is necessary to drill a housing hole on the cabinet with the dimensions indicated in Fig.3.2.1. The upper part of the cabinet will have to accommodate the fumes outlet, and must therefore be drilled according to the indications shown in Fig.3.2.1-A. The power cable must be suitably routed from the wall unit according to the position of the power socket.

Insert the hood from the bottom upwards in the hole made in the lower part of the cabinet (Fig.3.2.2). The ascent stops when the swinging anchors (Fig. 3.2.2-A) click into place so that the hood can be hooked onto the cabinet.

Open the lower panel, remove the metal filters by acting on the handles (Fig. 3.2.3) and tighten the screws located on the sides of the compartment (Fig. 3.2.4-A) until the hood rises to the level of the cabinet. Repeat the operation alternating the right and left screws until it is completely tightened.

Insert the covers as shown in Fig. 3.2.1-C and secure them to the hood (Fig. 3.2.5).

→ To install the cookerhood vent out of the back, follow the steps indicated below:

For the correct installation of the hood, it is necessary to drill a housing hole on the cabinet with the dimensions indicated in Fig.3.2.1. The rear part of the cabinet will have to accommodate the fumes outlet, and must therefore be drilled according to the indications shown in Fig.3.2.1-B. The power cable must be suitably routed from the wall unit according to the position of the power socket.

Remove the panel following the instructions in Fig. 3.2.6 and Fig. 3.2.7.

Remove the metal filters (Fig. 3.2.8) by acting on the handles (Fig. 3.2.3).

Remove the screws (Fig. 3.2.9) that secure the motor support (with the motor) to the hood and take it out (Fig. 3.2.10).

Remove the motor by unscrewing the four screws that fasten it to the support (Fig. 3.2.11).

Reposition the motor support rotated to the rear and secure it to the hood using the screws removed earlier (Fig. 3.2.12).

Insert the hood, with the support rotated toward the rear, from the bottom upwards in the hole made in the lower part of the cabinet (Fig. 3.2.13). The ascent stops when the swinging anchors (Fig. 3.2.13-A) click into place so that the hood can be hooked onto the cabinet. Tight the screws located on the sides of the compartment (Fig. 3.2.14-A) until the hood rises to the level of the cabinet. Repeat the operation alternating the right and left screws until it is completely tightened.

Remove the light cover by unscrewing the two side screws (Fig. 3.2.15) and detach it (Fig. 3.2.16).

Secure the rotated motor with rear outlet to the support using the four screws (Fig. 3.2.17).

Reinstall the light cover (Fig. 3.2.18).

Reinstall the panel, repeating in reverse order the previously carried out operations (Fig. 3.2.6 and Fig. 3.2.5).

Reinstall the metal filters (Fig. 3.2.8) by acting on the handles (Fig. 3.2.3).

Insert the covers as shown in Fig. 3.2.1-C and secure them to the hood (Fig. 3.2.5).



III.3 Electrical Connection

The electrical connection must be carried out ONLY by qualified technicians.

The electrical protection of the electrical connection upstream of the equipment must comply with the regulations in force.

Any change to the electrical installation necessary to install the hood should only be undertaken by qualified staff.

After installation, insulated parts and those carrying electricity must be protected from any possible contact.

	Caution! If the electrical connection is carried out incorrectly or not meeting the regulations, it may damage part of the appliance and the warranty will not be valid.
	Warning! Before making the electrical connection, turn the main switch of the domestic system to "off".

These appliances must be earthed.

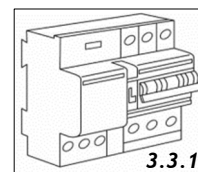
The appliance is supplied without plug and must be connected to the electrical system with a voltage of 120V and a frequency of 60Hz.

One type of connection to the electrical network is possible:

Stable connection to the network by interposing a bipolar switch to ensure disconnection from the network, with a contact opening distance allowing complete disconnection under the conditions of the overvoltage category III, by the installation rules (Fig. 3.3.1.).

Earth connection (yellow-green wire) should not be interrupted.

If the power cord is damaged, it must be replaced by the manufacturer or its authorized service center or by a qualified technician, to prevent any risk.



IV USE

This cooker hood can be installed in ducted or filtering mode.

Ducted (external evacuation, Fig. 4.1). Remove any anti-odor filters if present. Kitchen smokes are vented outside through a flue (not provided with the hood) joined to the exhaust pipe flue connector.

This pipe must not under any circumstances be connected to cooker, boiler or burner exhaust pipes, etc.

Install this flue after completing what is described in the INSTALLATION.

The use of pipes and holes on the wall with a smaller diameter than the motor output will cause a decrease in suction performance and an increase in the noise level.

Use as short as possible tubes and with few curves.

Use pipes with smooth internal surfaces.

Filtering mode (ductless, Fig. 4.2). The cooking fumes pass through the activated carbon filters (not supplied with the hood) to be purified and recycled into the kitchen. The use of anti-odor filters reduces the performance of the hood.

V OPERATION

The hood is supplied with a multispeed blower.

The hood should be run at low speed under normal conditions and at higher speeds only when there is a heavy build-up of fumes or odors.

Ideally, the hood should be switched on as soon as cooking is started and then kept on until all odors have been eliminated.

V.1 Operating the hood controls

The controls on the hood (Fig. 5.1.1) are fitted with the following buttons:

TL: Light on/off and light temperature adjustment. The TL button lights up to indicate that the light is on.

T1: switch-on at first speed and blower off.

T2-T3-T4: ventilation at 2nd, 3rd and 4th speed respectively. The speed buttons light up to indicate the set speed.

Light adjustment, with the blower turned off:

TL single click: on/off at the stored brightness and temperature.

TL long press (for more than 2 seconds) when on: brightness adjustment:

- Start from stored setting, DOWN ---> UP adjustment, if not released, the maximum brightness is set
- With an additional long press, the UP ---> DOWN adjustment goes to minimum brightness
- When the button is released, both at maximum/minimum and during adjustment, the desired intensity is stored for the next switch-on

TL+T4 with light on: colour temperature adjustment (same steps as brightness adjustment)

V.2 Remote control operation

Remote control encoding

The remote control (Fig. 5.2.1, not supplied with the hood) must be encoded to fully control the hood. To pair it, or in the event that the remote control is replaced, follow the instructions below:

- After switching on the power supply, a 10-second pairing-time opens during which all the keyboard LEDs on the hood blink (Fig. 5.1.1);
- If a remote control button is held down during this pairing-time, the remote control pairs successfully and all the keyboard LEDs on the hood stay steadily lit for 5 seconds;
- If a keyboard key is pressed during the pairing-time, the pairing-time closes immediately and the corresponding keyboard command is executed;
- If any key on the keyboard or a button on the remote control is pressed during the 5-second pairing confirmation display, the display is interrupted and the pressed command is executed immediately.

Remote Control Operation

For the remote control buttons, refer to Fig. 5.2.1.

■ Extraction switch on/off.

The motor always start at speed 2.

▲ Lighting switch-on.

Successive single presses allow switching between maximum and minimum brightness;
Long presses (with the light on) change the intensity.

▼ Lighting switch-off.

Long presses (with the light on) change the temperature.

⊕ With the motor running, an increase in speed up to speed 4.

A long press (with the motor switched off) resets the anti-grease filter timer.

— With the motor running, a reduction in speed to speed 1.

A long press (with the motor running), activates the self-switching off timer (the motor switches to speed 1 and switches off after 15 minutes). The timer is deactivated by switching off the motor using button ■ .

V.3 Adjustable and delayed self-switching off

With the hood in operation, select the desired speed, press without releasing the key of the speed corresponding to the auto-off minutes you wish to set, until it starts flashing, keeping in mind that: T1 equals 5 minutes; T2 equals 10 minutes; T3 equals 15 minutes.

The set speed can be modified during the auto-off time.

If the auto-off time chosen is the same as the set speed, the speed LED flashes; if a different time is chosen, the speed LED remains fixed. The hood must be switched off to disable the self-switch-off.

V.4 Maintenance reminder

Metal anti-grease filters

Once the hood is switched off, after 30-hour functioning, all the LEDs of the speed buttons switch on with a fixed light for 30 seconds to remind that the anti-grease metal filter needs cleaning. To set the timer to zero keep the button T4 (Fig. 5.1.1) pressed with the aspirator switched off, otherwise the timer will remain set on 30-hour functioning and the reminder will appear when the hood is switched off again.

Activated carbon filters (for ductless hoods)

Every 120 hours of hood operation, when the hood is switched off, all the LEDs of the speed buttons turn on with a flashing light for 30 seconds to remind the cleaning of the anti-grease metal grease filters and, if the hood is in the filtering version, it is necessary to replace the carbon filters. To reset the timer, simply hold down the T1 key (Fig.5.1.1) with the blower Off, otherwise the device will give the alarm the next time the hood is switched off.

VI MAINTENANCE AND CLEANING



Warning! Before any maintenance or cleaning operation, disconnect the hood from the power supply by setting the main switch of the domestic system to "off".

VI.1 Metal anti-grease filter

Particular attention should be paid to the metal grease filter, which has the function of retaining the fat particles contained in the vapors. The grease filter must be washed when the warning appears or at least once a month, use hot water and detergent (or put it in the dishwasher). The filter may become discolored after a few washes. This is normal and does not mean that it needs to be replaced.

To carry out maintenance on the grease filters, it is essential to remove them from the hood. To remove the metal grease filters, simply open the panel underneath and pull them out (Fig. 3.2.3). Now you can proceed with cleaning the filters. We recommend that you only refit the grease filters when they are perfectly dry.



ATTENTION: the grease collected in the filters can easily catch fire and it is therefore extremely important to clean the metallic filters regularly as per instructions

VI.2 Openable panel

The openable panel can be washed when the notice to clean the metal filters appears or at least once a month with hot water and detergent.

If necessary, to remove the panel, follow the instructions in Fig. 3.2.6 and Fig. 3.2.7. It is recommended not to wash it in the dishwasher and to reassemble the panel only if it is perfectly dry.



Caution! Grease retained in the opening panel is highly flammable. The panel must therefore be cleaned regularly.

VI.3 Activated carbon filter (for filtering hoods)

The activated carbon filters, if present, have the function of retaining the odors present in the cooking fumes.

The purified air is recycled into the room. The activated carbon filters must not be washed and must be replaced 3 or 4 times a year depending on the use of the hood. Request the filters to the manufacturer.

To install the activated carbon filters, the metal grease filter must first be removed (Fig. 3.2.3).

At this point, without the use of tools, install the activated carbon filters by hooking them to the interlocking tabs on motor sides (Fig. 6.3.1-A). Then fix them by a 90° rotation for their insertion position in the tabs. To replace the activated carbon filters, repeat the described operations backward.

Reinstall the metal grease filter.

VI.4 Hood Cleaning

The hood must be cleaned immediately after installation and removal of the protective film to eliminate any residual adhesive or other impurities. The hood must be cleaned frequently both internally and externally (at least once a month). Do not allow dirt to accumulate on the surfaces of the hood.

Do not use acid or basic products or abrasive sponges to clean the external parts of the hood. Clean the hood with a sponge moistened with hot water and a small quantity of neutral soap (for example dish soap) to eliminate any grease particles that may have deposited.

Rinse with a damp cloth, carefully remove all the soap, following the direction of the satin finish of the steel surface. Drying is particularly important, especially in areas where the water is very hard and leaves limescale deposits.

VI.5 Lighting

The hood is equipped with LED lighting which, in addition to offering excellent lighting and limited energy consumption, guarantee a considerable duration over time. Both the brightness and temperature of the hood's LED lighting be adjusted (see the OPERATION section).

VII DISCONTINUATION

The discontinuation means the definitive shutdown and disassembly of the appliance.

After discontinuation, the appliance can be installed on another piece of furniture, privately resold, or disposed of.

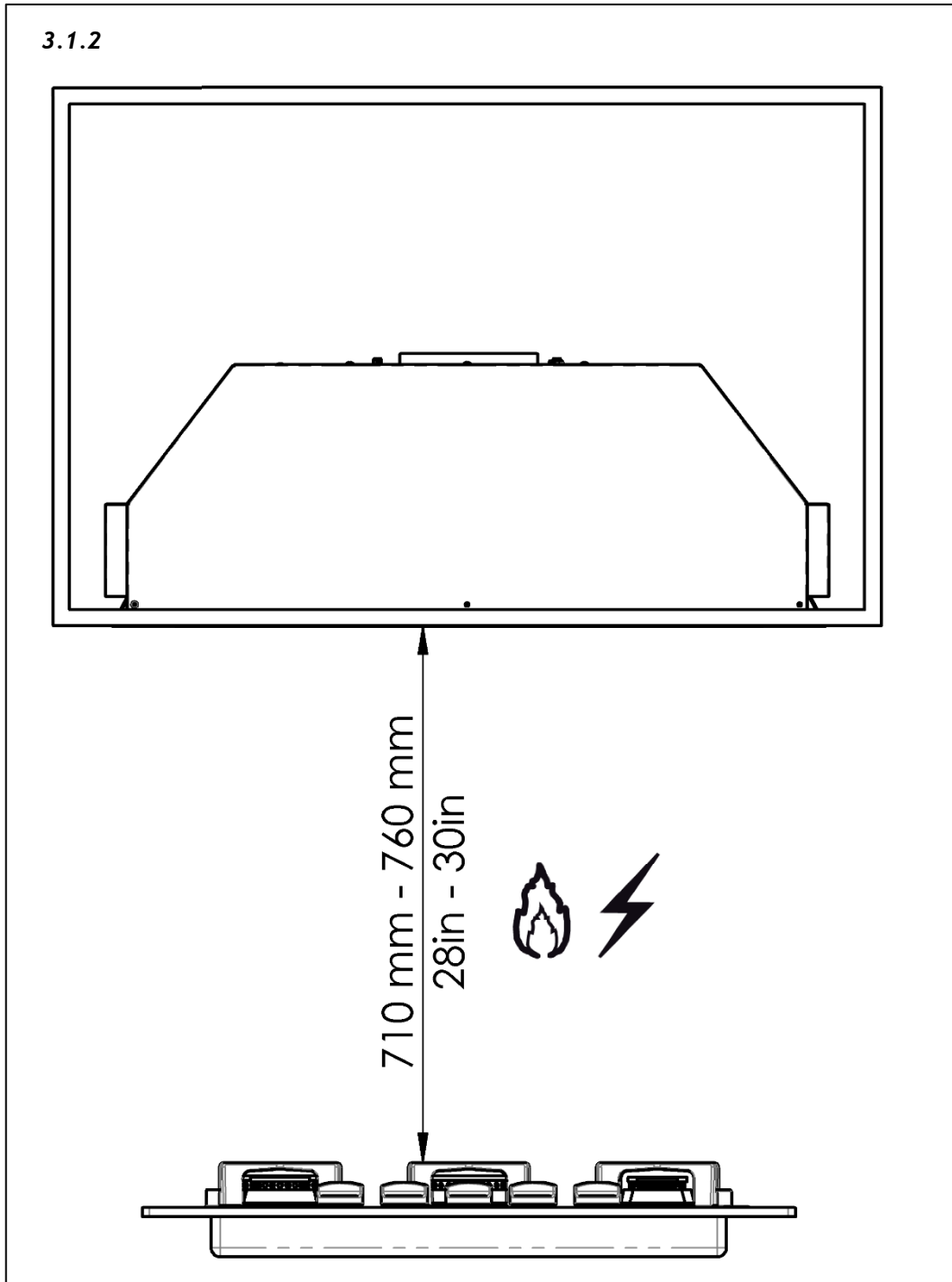
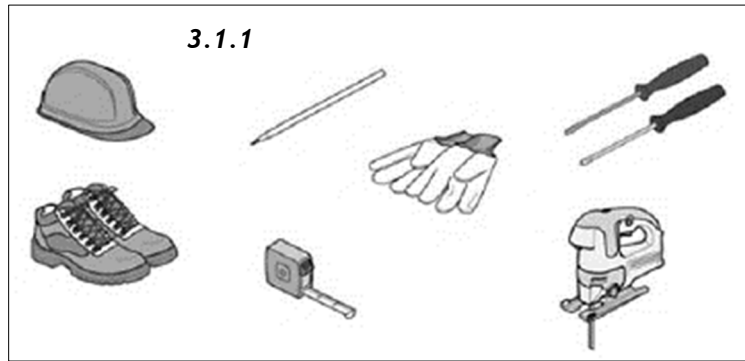


Caution! For discontinuation, it is necessary to switch the appliance off and disconnect the power

Disassembly requires that the device is accessible and has been disconnected from the power supply.

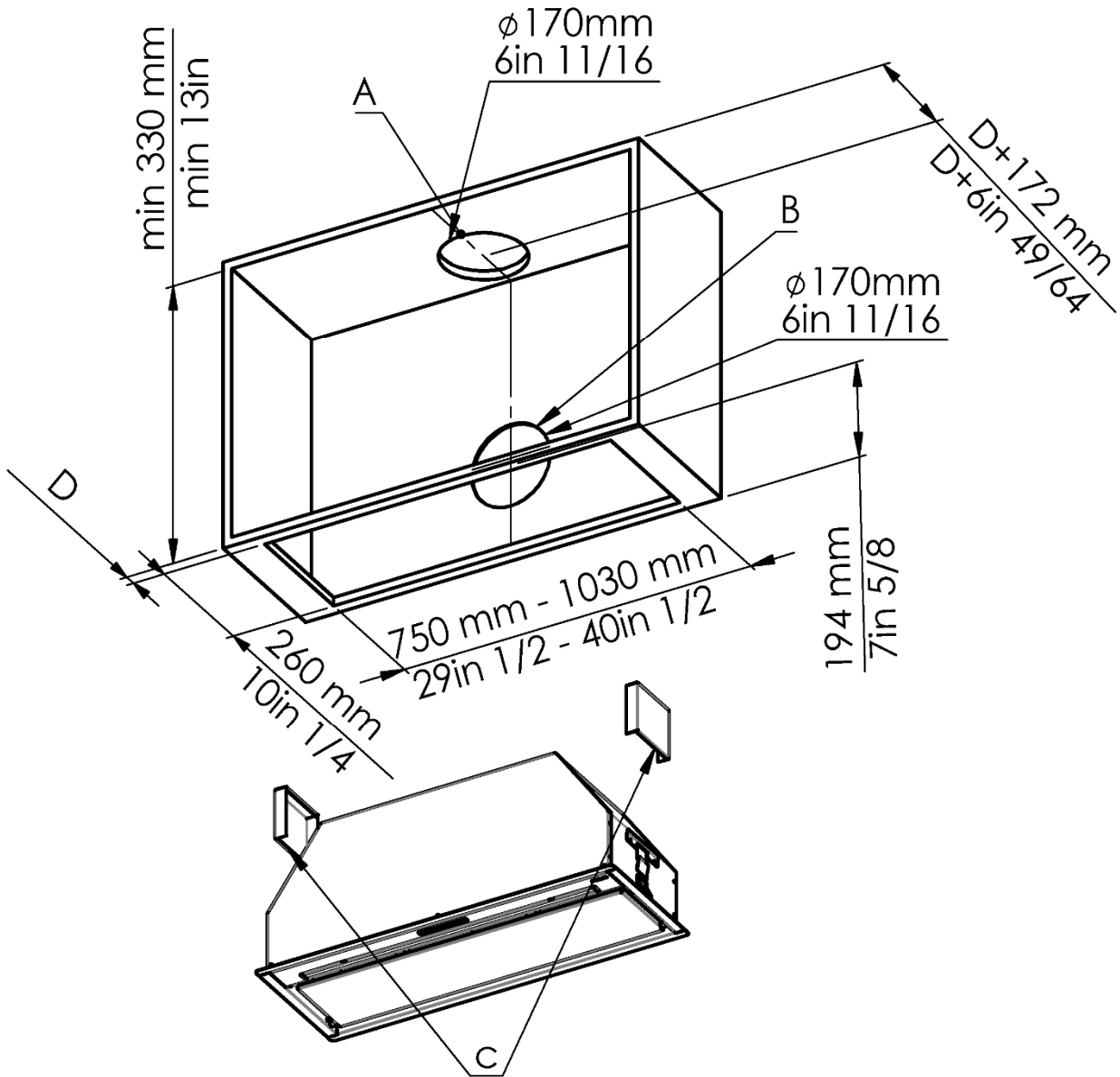
To do this, follow the installation instructions in reverse order.

Futuro Futuro

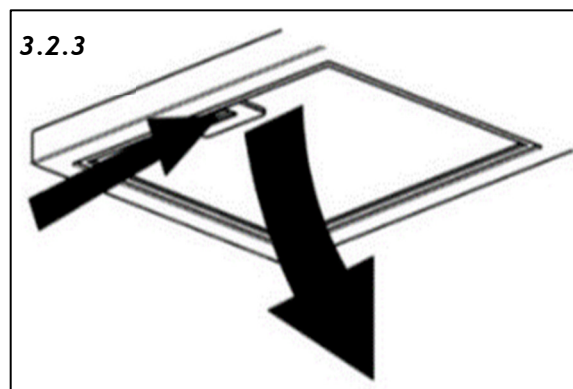
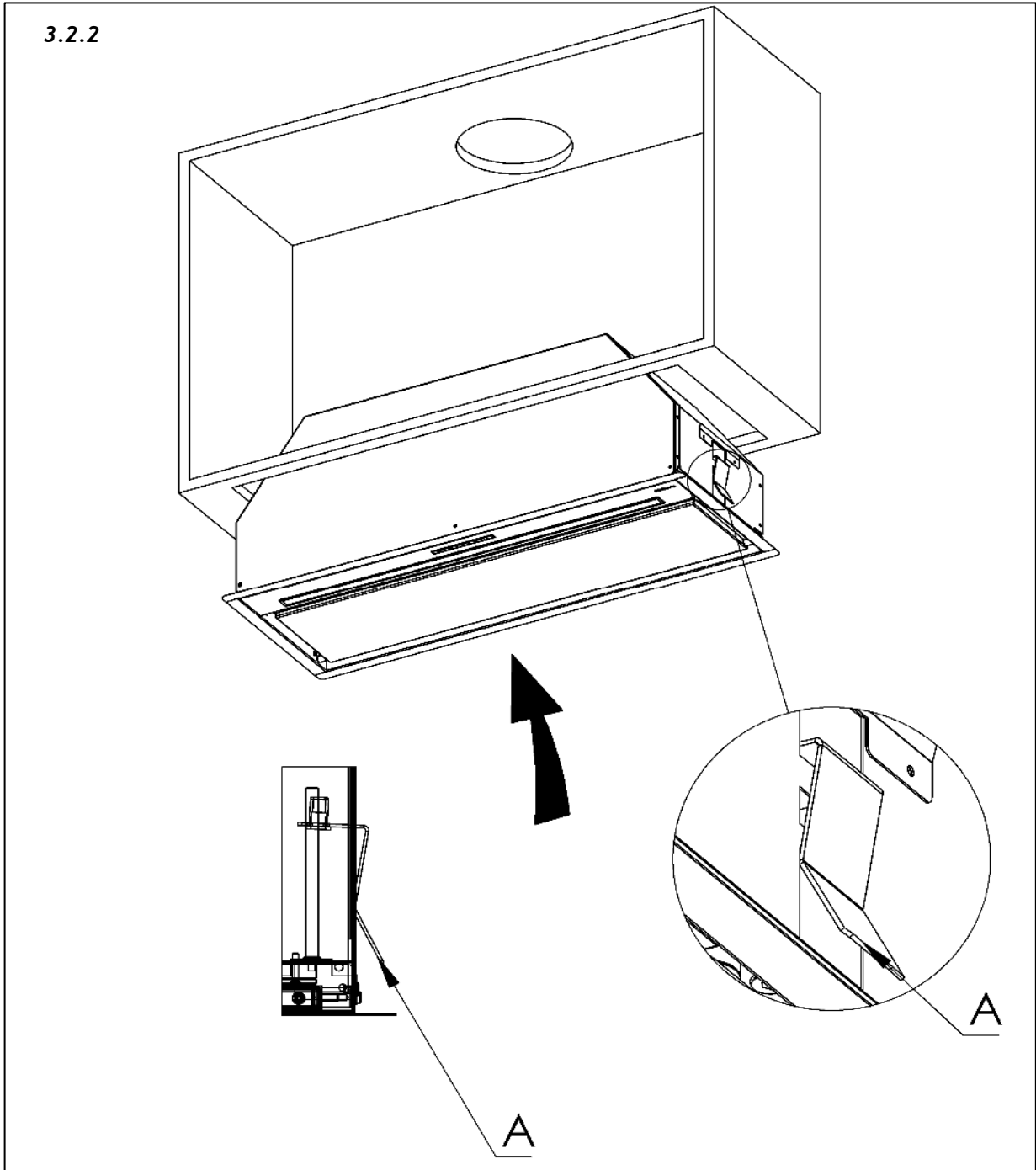


Futuro Futuro

3.2.1

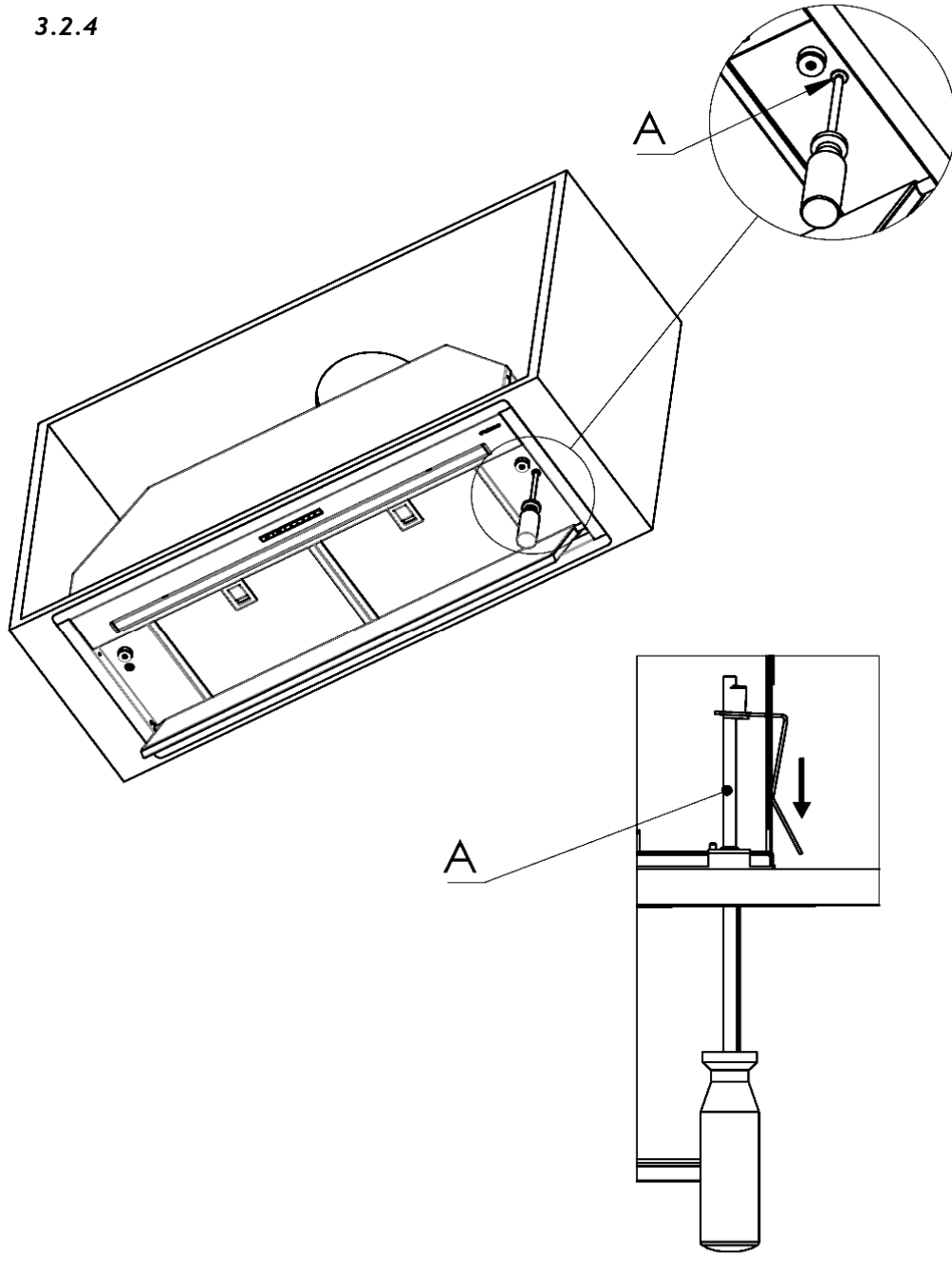


Futuro Futuro

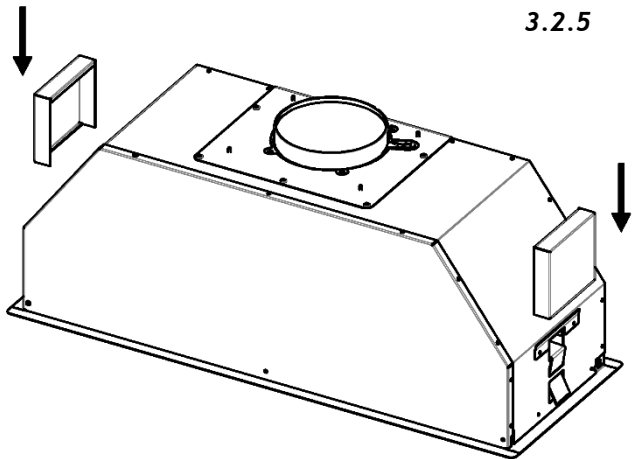


Futuro Futuro

3.2.4

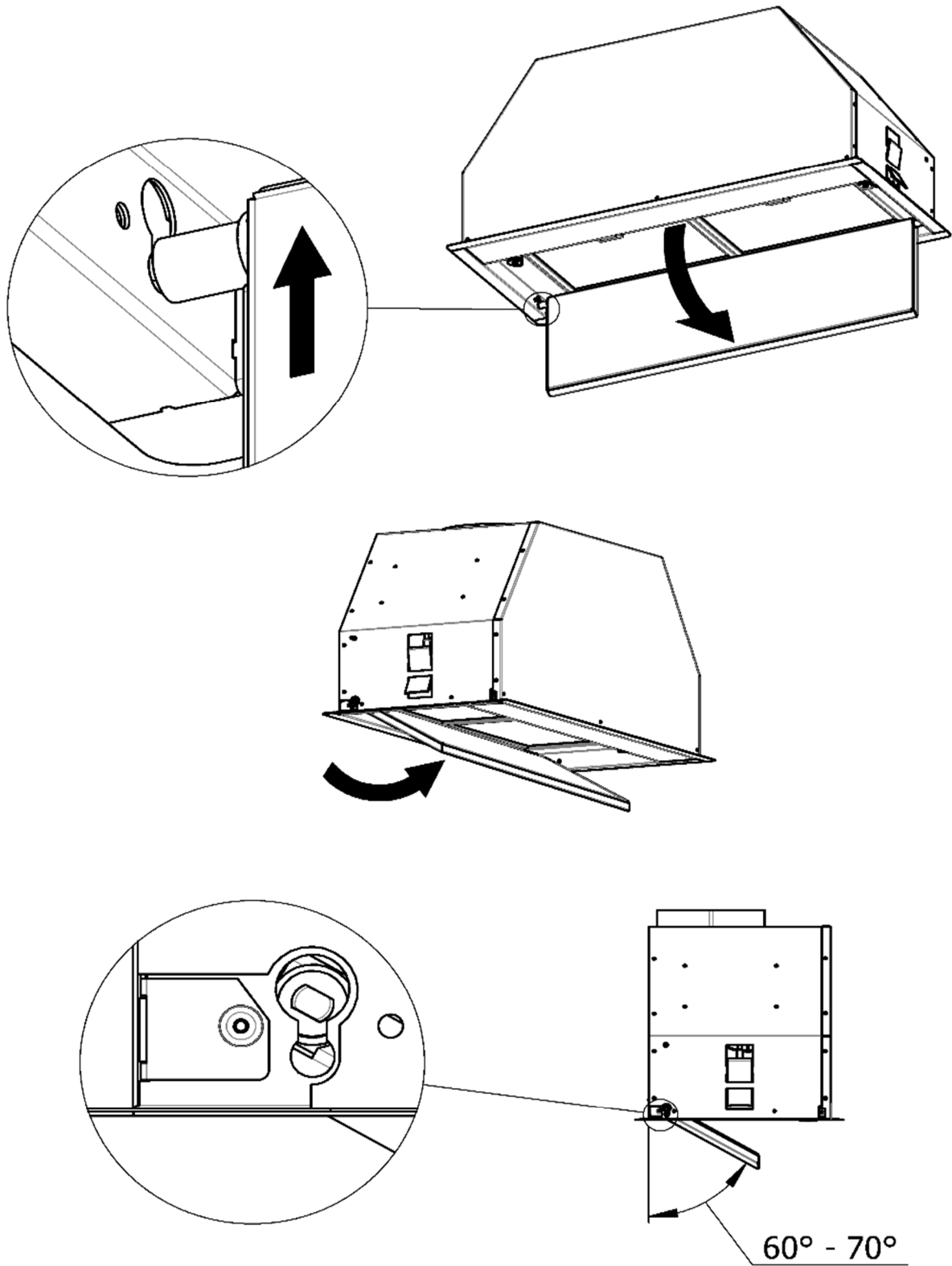


3.2.5

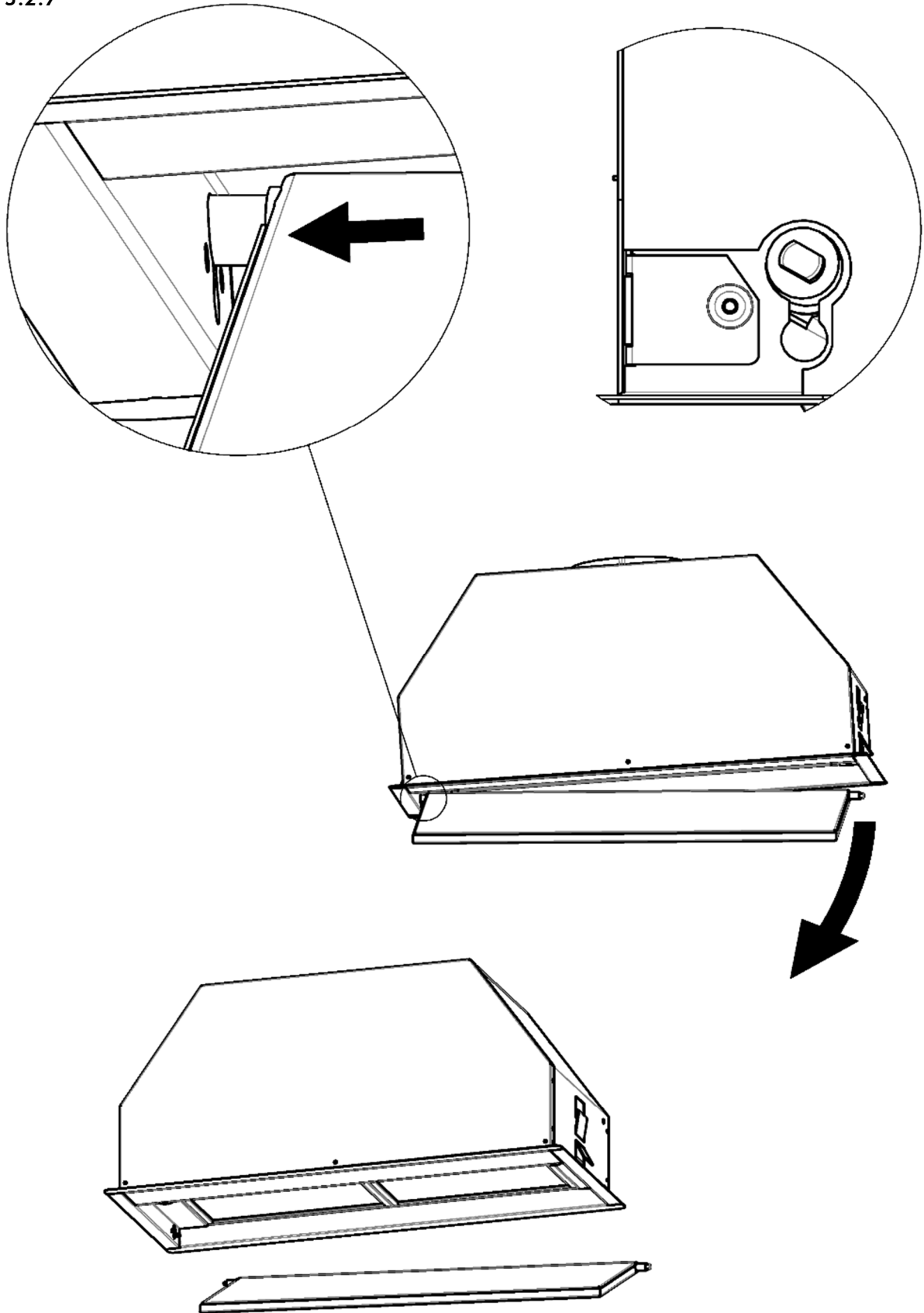


Futuro Futuro

3.2.6

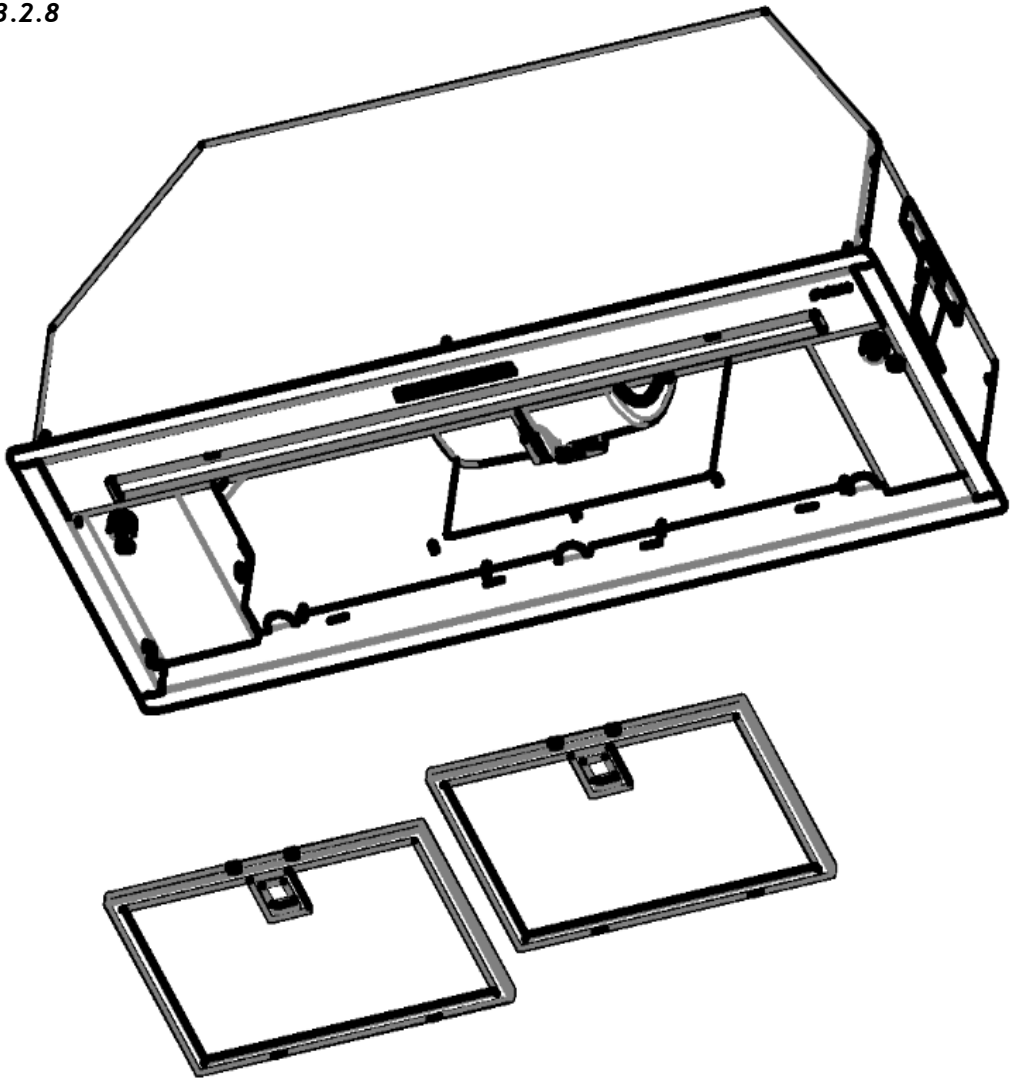


3.2.7

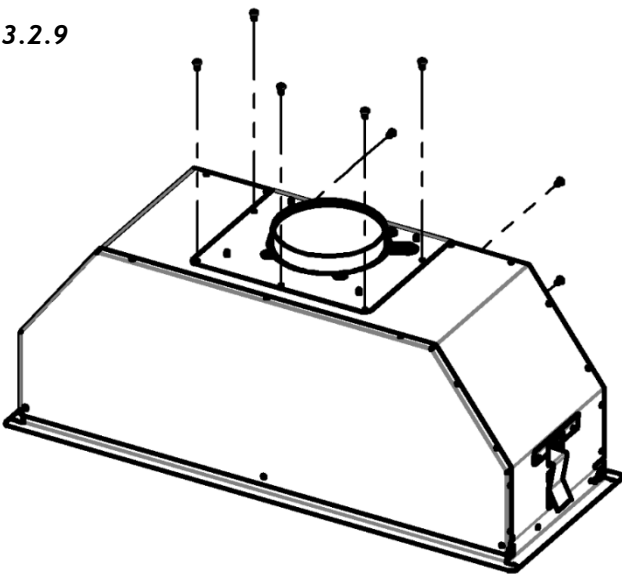


Futuro Futuro

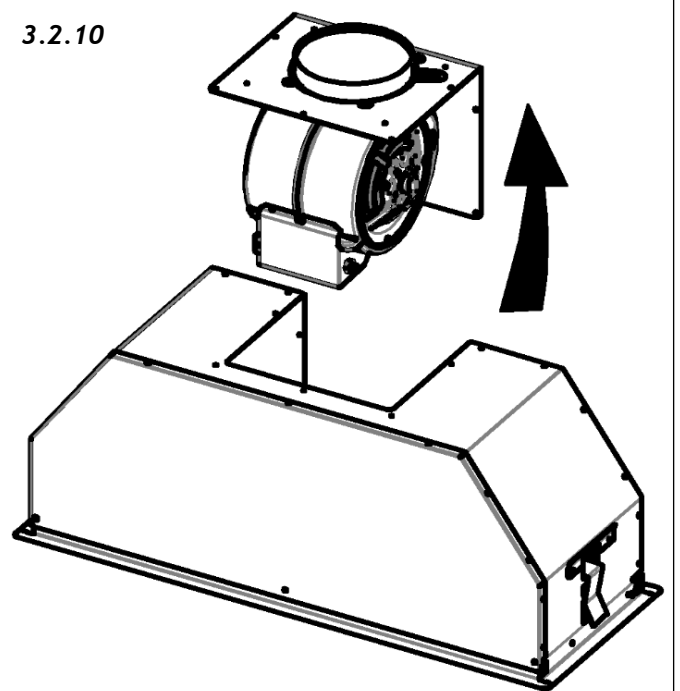
3.2.8



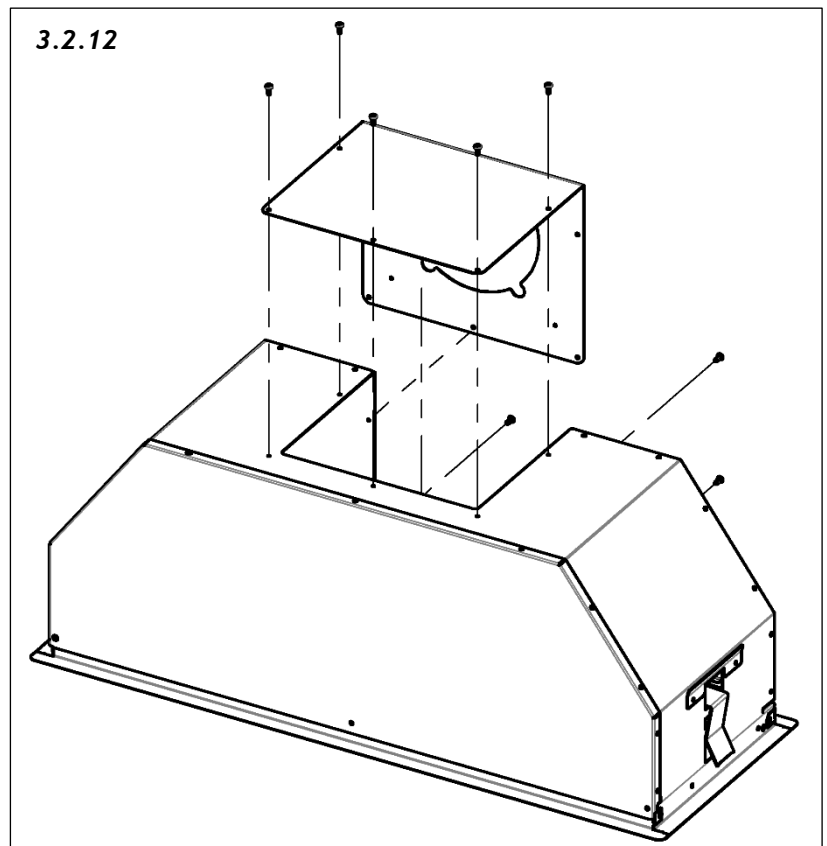
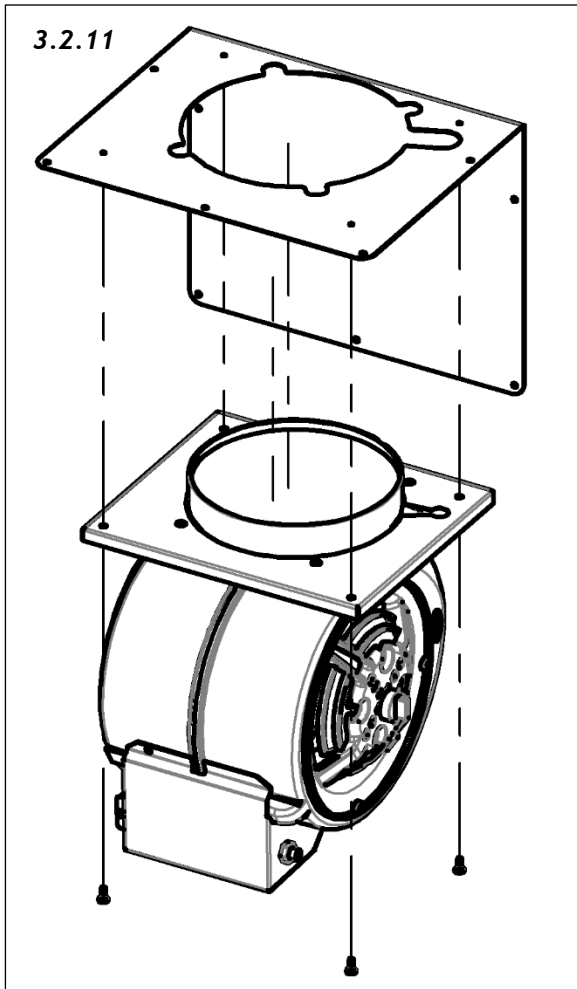
3.2.9



3.2.10

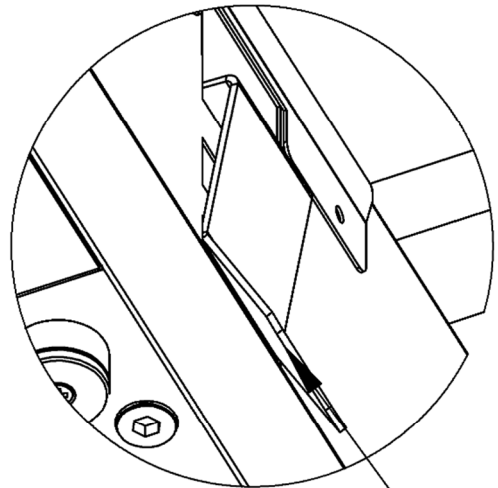
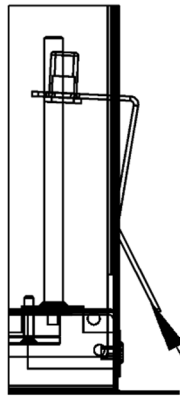
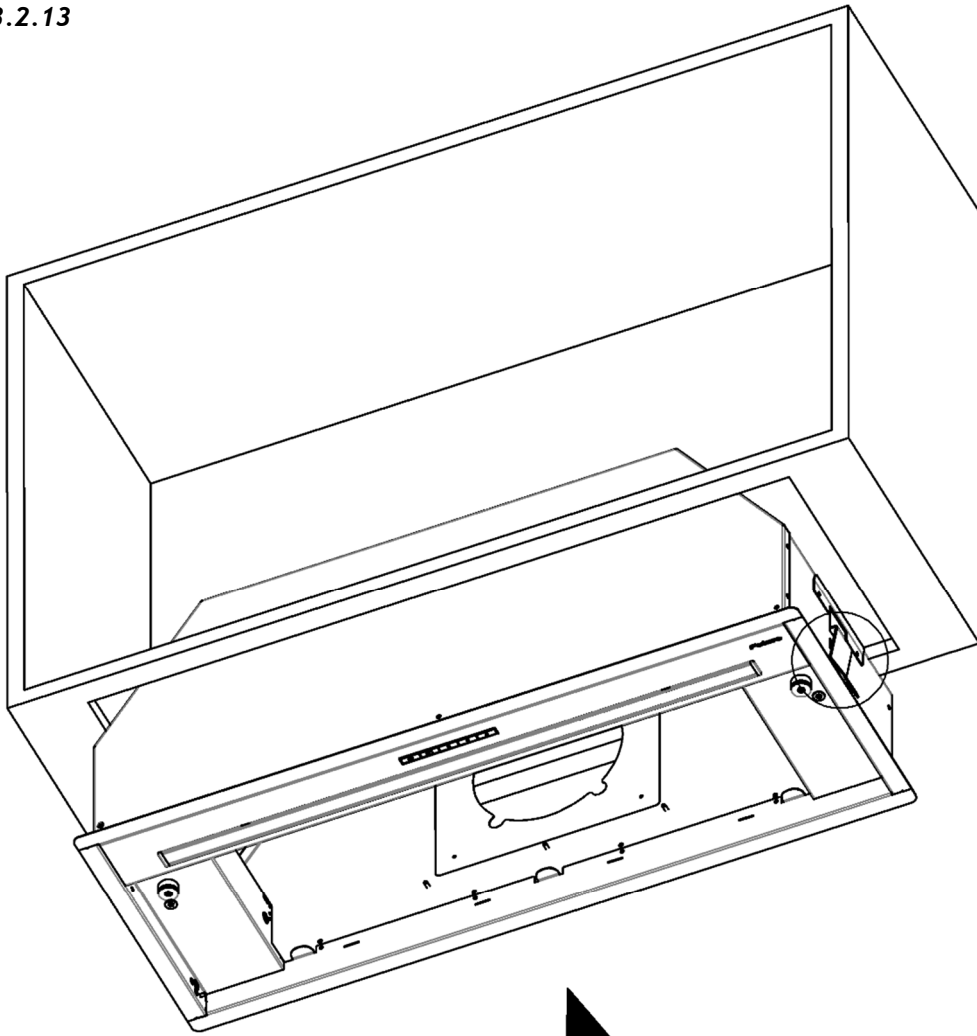


Futuro Futuro



Futuro Futuro

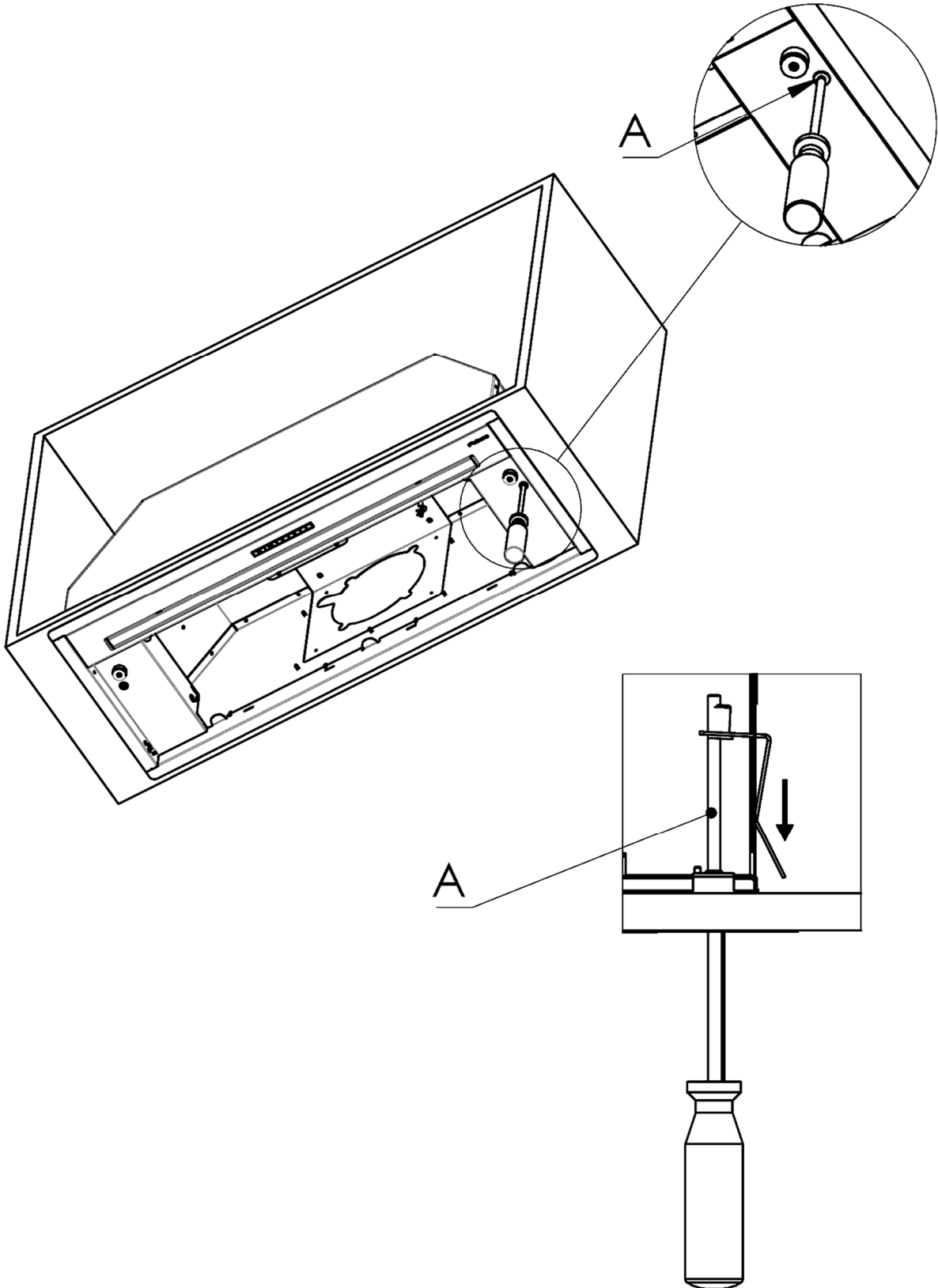
3.2.13



A

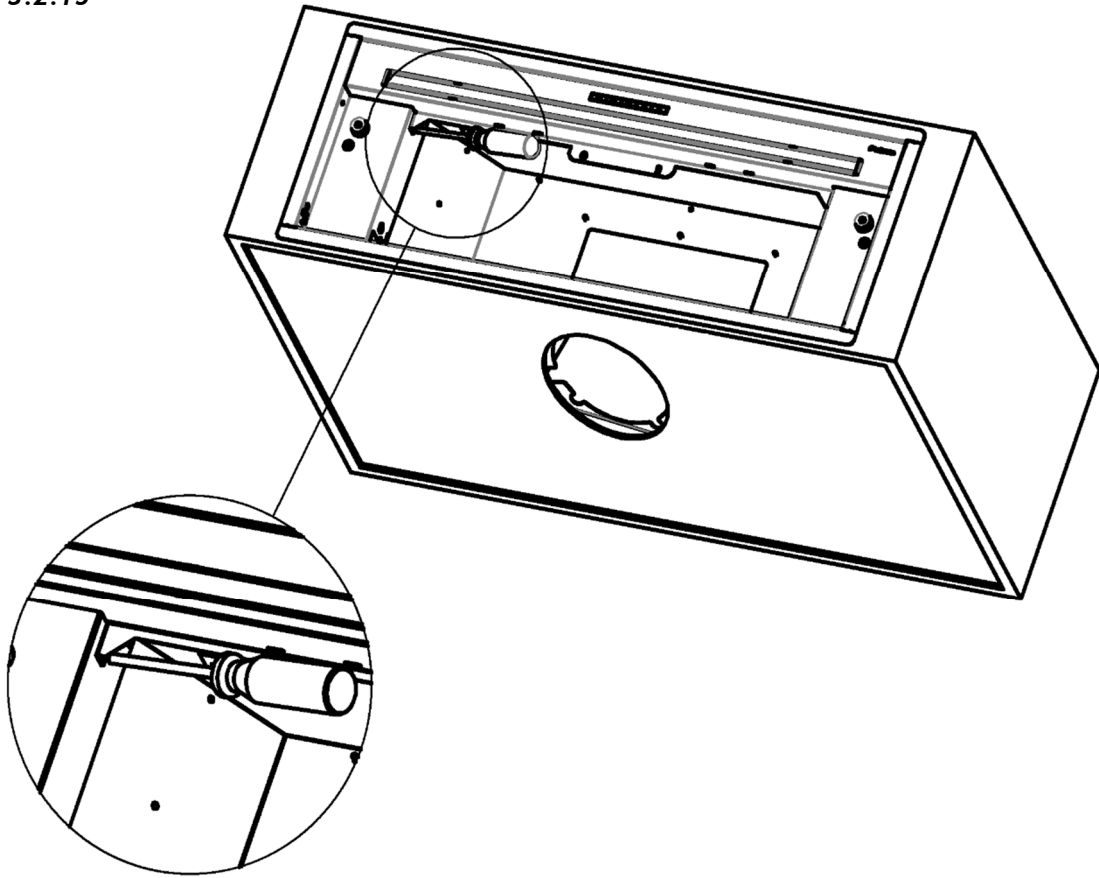
A

3.2.14

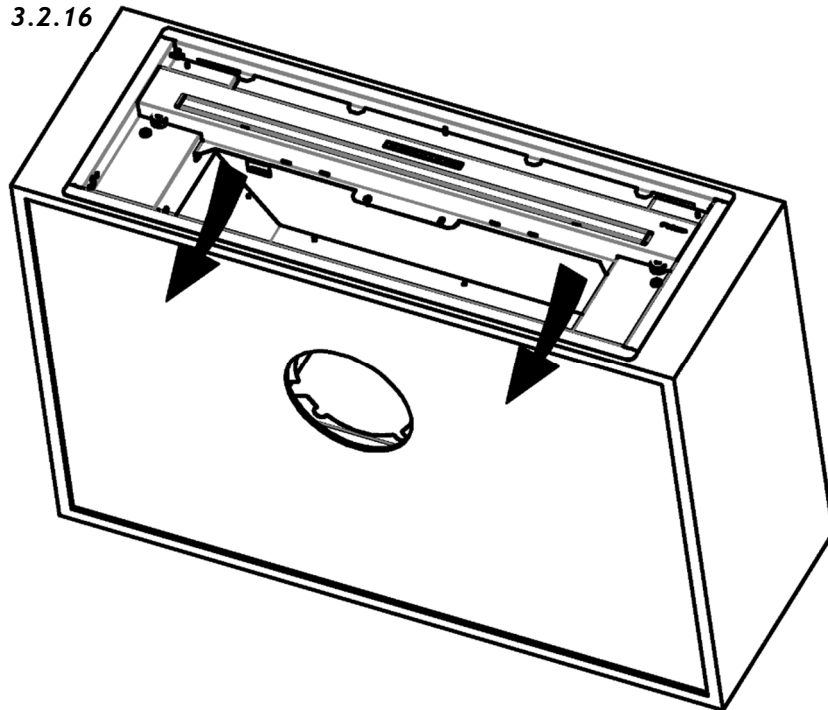


Futuro Futuro

3.2.15

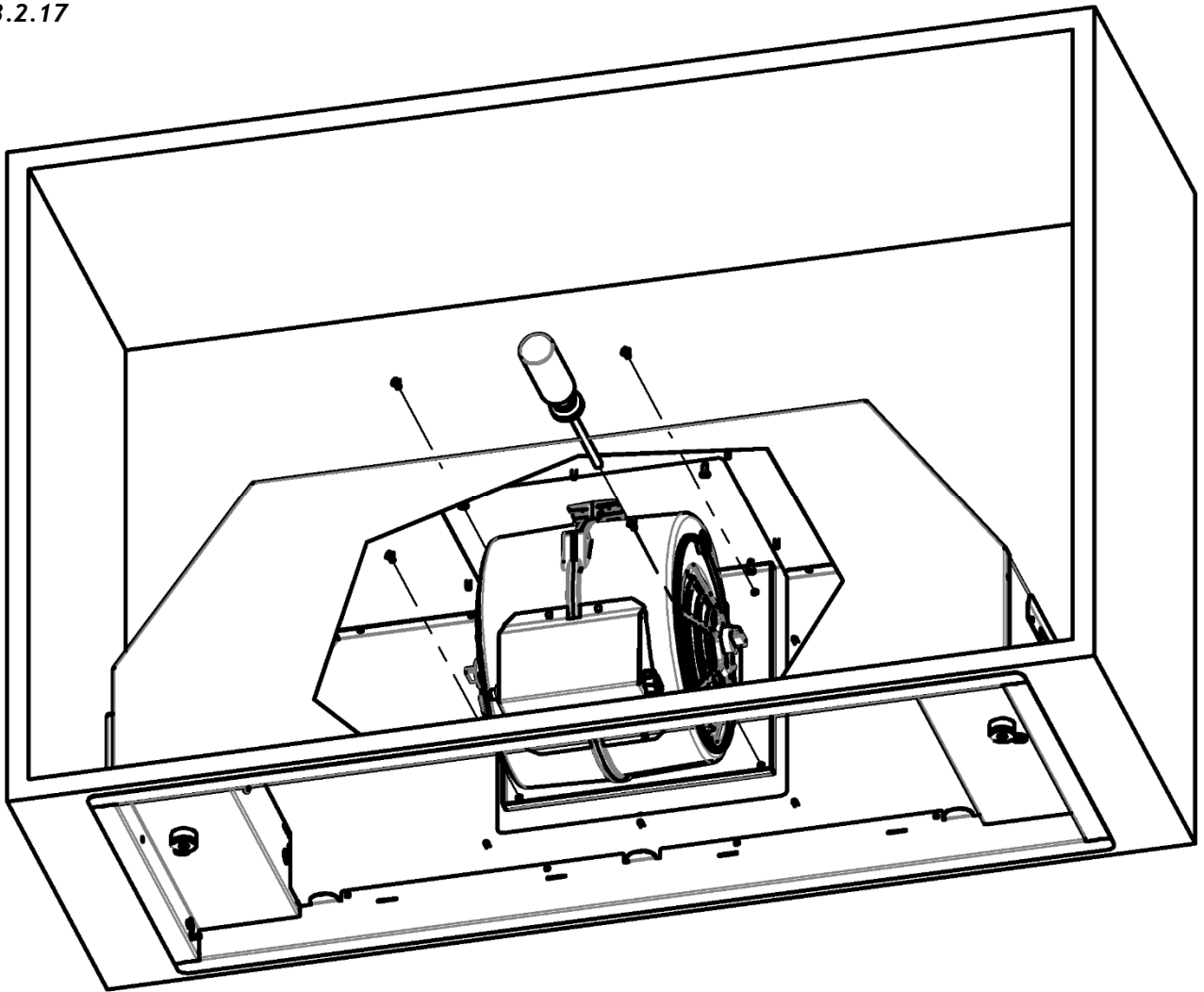


3.2.16

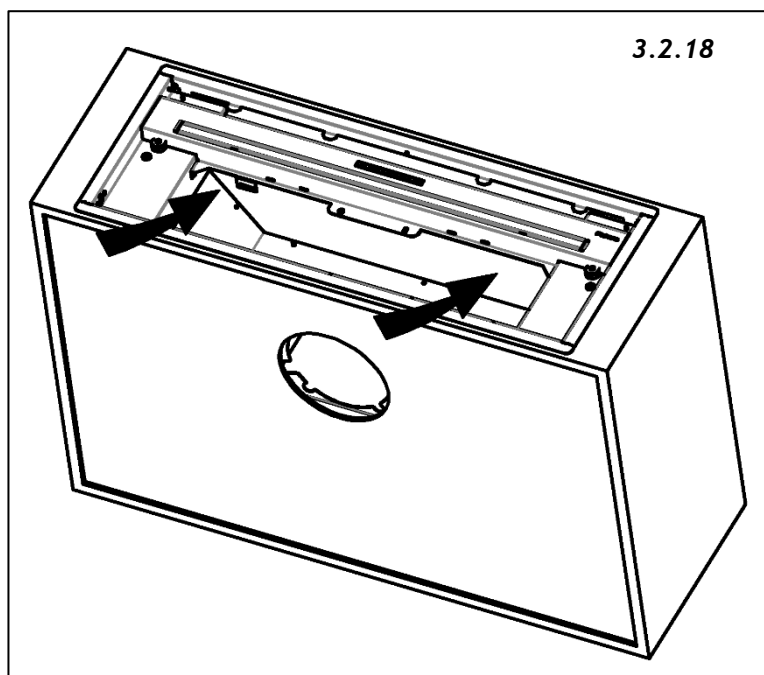


Futuro Futuro

3.2.17

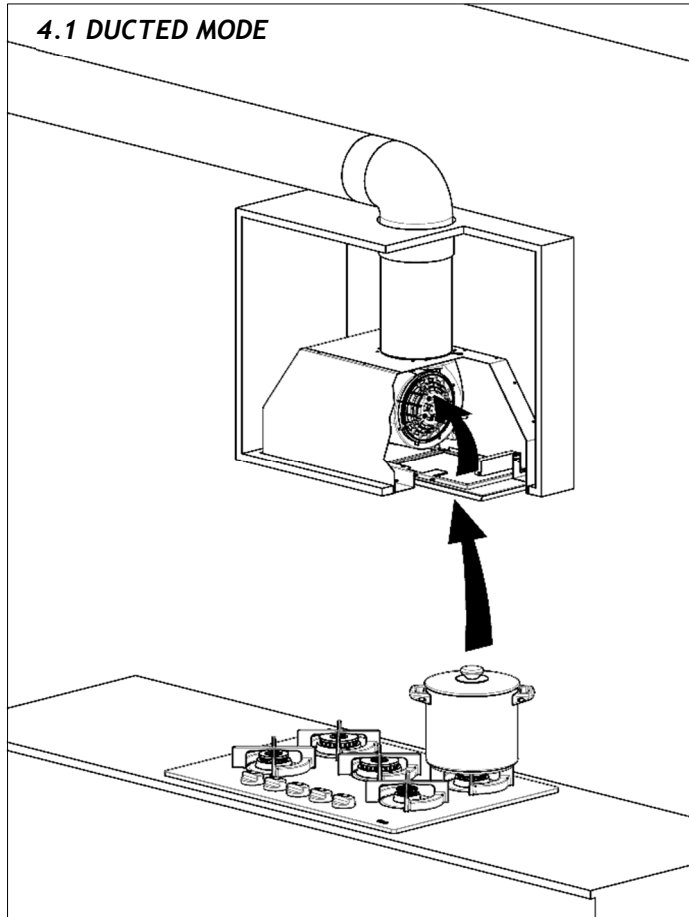


3.2.18

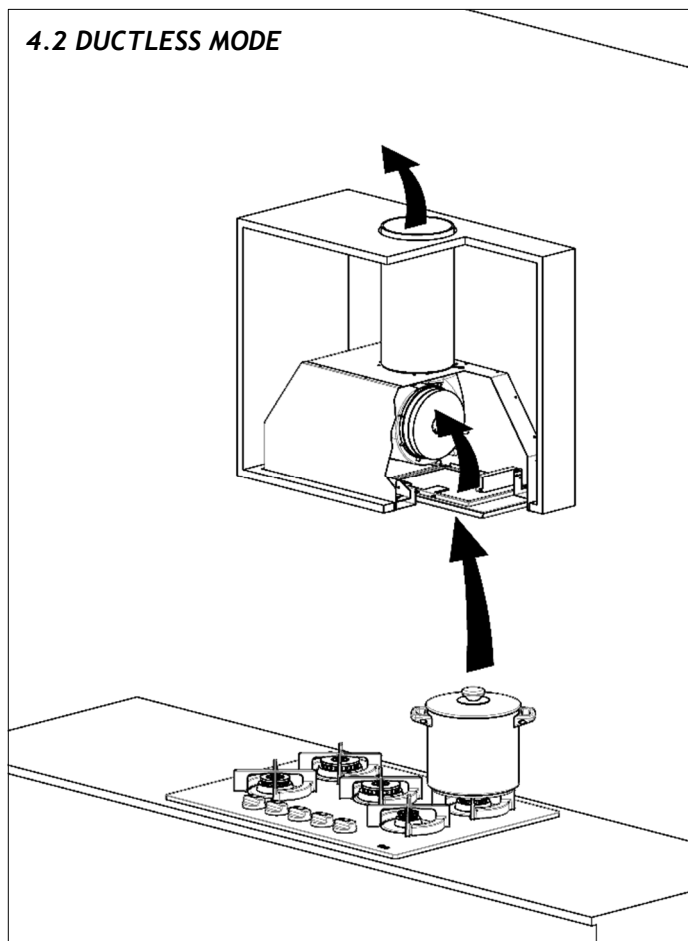


Futuro Futuro

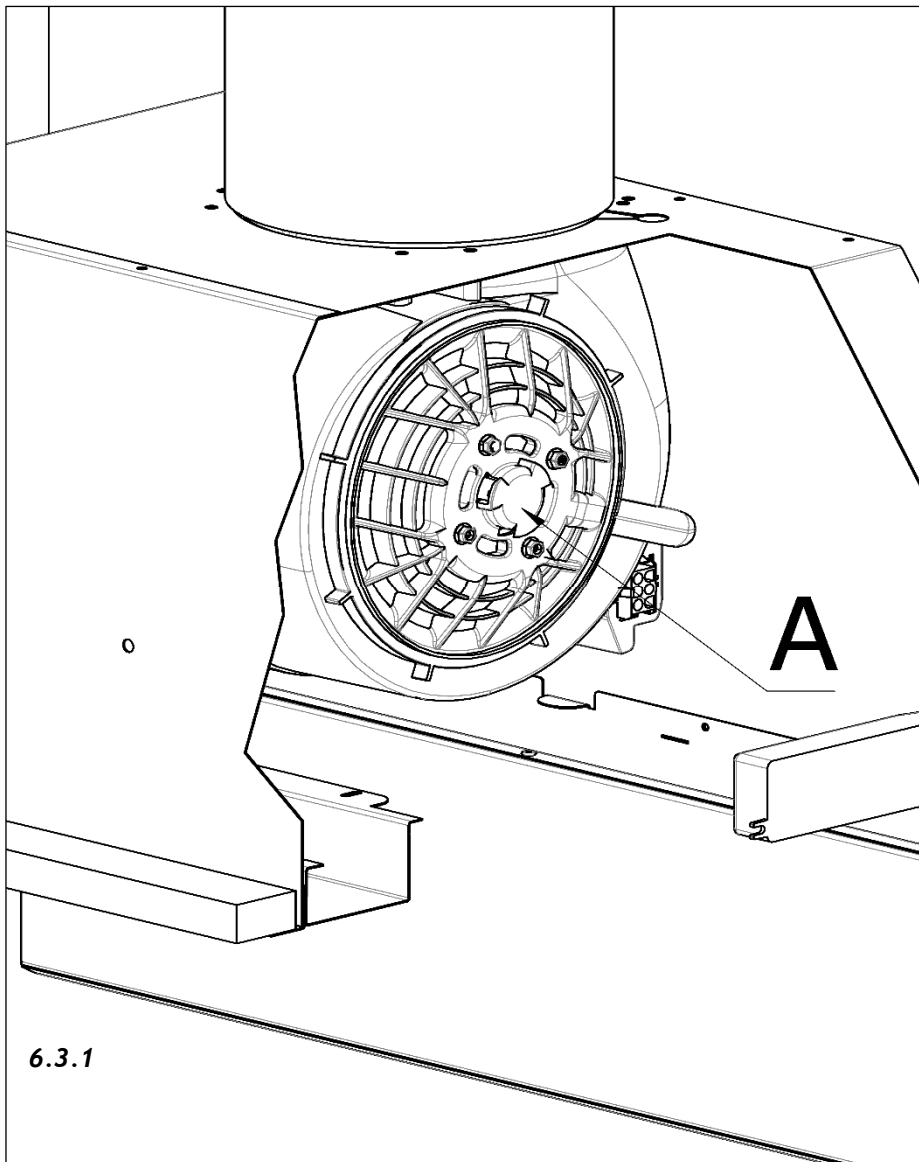
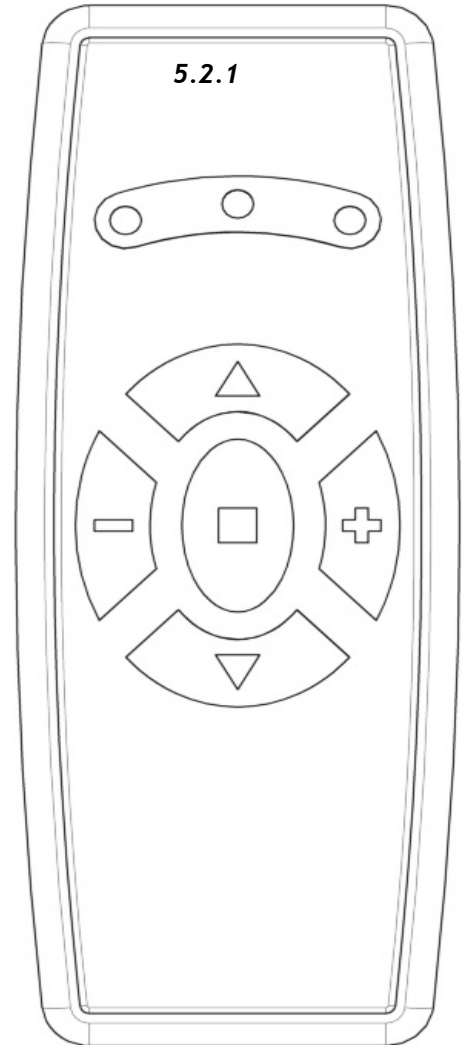
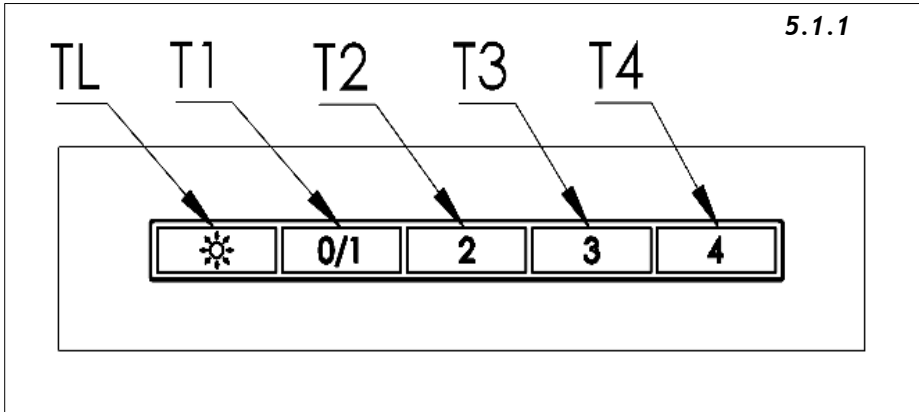
4.1 DUCTED MODE



4.2 DUCTLESS MODE



Futuro Futuro



**Futuro
Futuro**

