

Futura Series

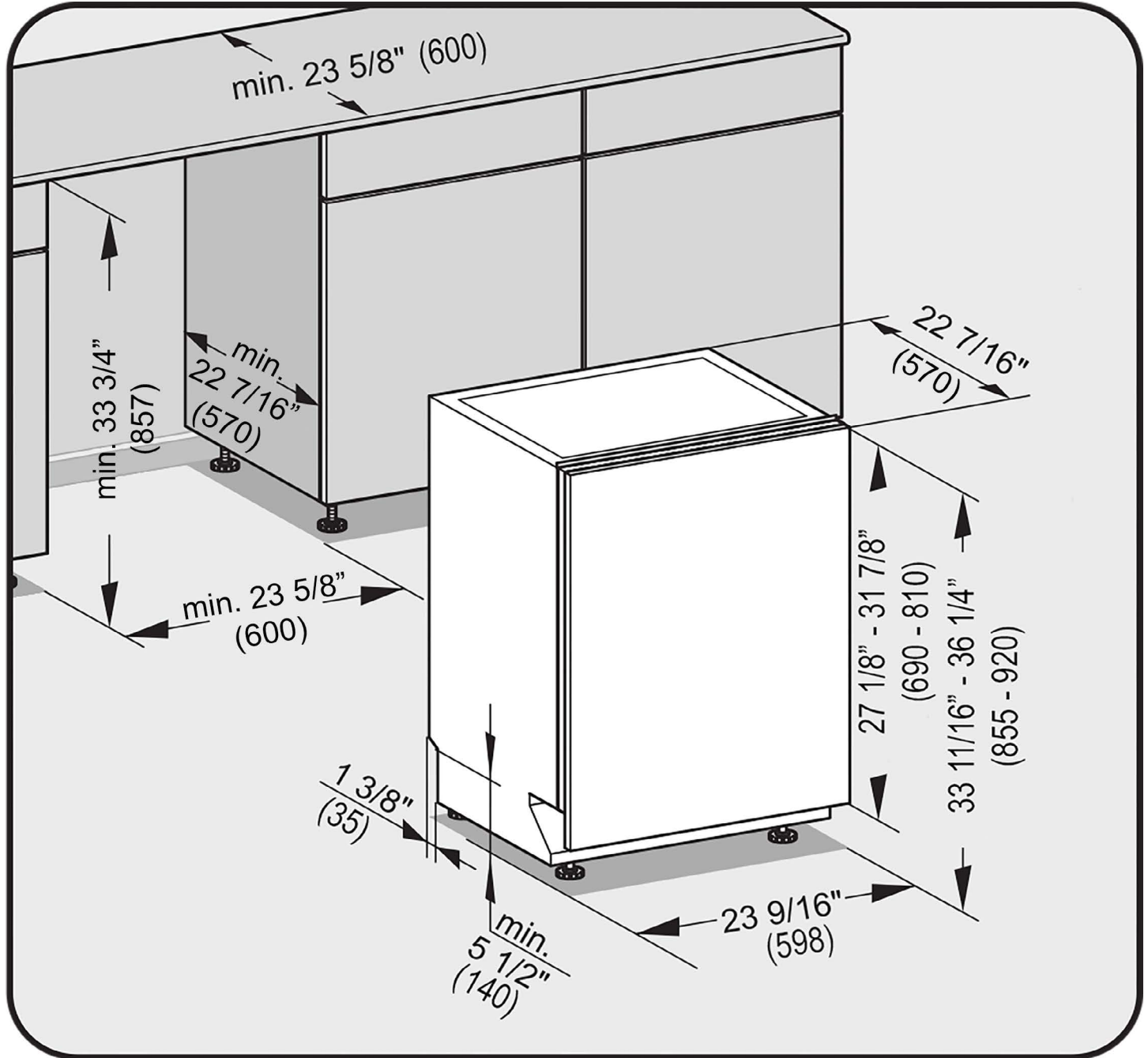
Fully Integrated Dishwashers

CLASSIC PLUS	G 4975 Vi, G 4975 Vi SF, G 4975 SCVi, G4975 SCVi SF
CRYSTAL	G 6165 SCVi, G 6165 SCVi SF
DIMENSION	G 6365 SCVi, G 6365 SCVi SF
LUMEN	G 6565 SCVi, G 6565 SCVi SF, G 6595 SCVi K2o
DIAMOND	G 6985 SCVi K2o



SPECIFICATIONS	
Overall Unit Width	23 ⁹ / ₁₆ " (598mm)
Overall Unit Height	33 ¹¹ / ₁₆ " - 36 ¹ / ₄ " (855 - 920mm)
Overall Unit Depth	22 ⁷ / ₁₆ " (570mm)
Niche	
Minimum Cabinet Opening Width	23 ⁵ / ₈ " (600mm)
Minimum Cabinet Opening Height	33 ³ / ₄ " (857mm)
Minimum Cabinet Opening Depth	22 ⁷ / ₁₆ " (570mm)
Plumbing	
Water Supply Requirements	May be connected to a cold or hot water supply up to a maximum of 140°F/60°C. Must be connected to a shut-off valve with a male 3/8" NPT. The water shut-off valve must be accessible after installation. The water pressure must be between 4.35 psi (0.3 bar) and may not exceed 145 psi (10 bar). If the pressure is higher than 145 psi (10 bar), a pressure reducing valve must be installed.
Water Connection Line	4' 11" (1.5m) flexible water intake hose is supplied with a 3/8 NPT connection.
Drain Hose	4' 11" (1.5m) flexible drain hose is supplied.
Electrical	
Electrical Requirements - Volts/Amps	110V / 120V, 60Hz, 15 Amps
Power Cord - Plug and length	Yes - NEMA 5-15 plug, 5' 6" (1.7m), Convertible to Hardwire
Shipping	
Shipping Weight	118 lbs (53.5kg)
Support	
Call Miele	800.843.7231
Miele Website	www.mieleusa.com
20/20 Link	2020technologies.com

INSTALLATION SPECIFICATIONS



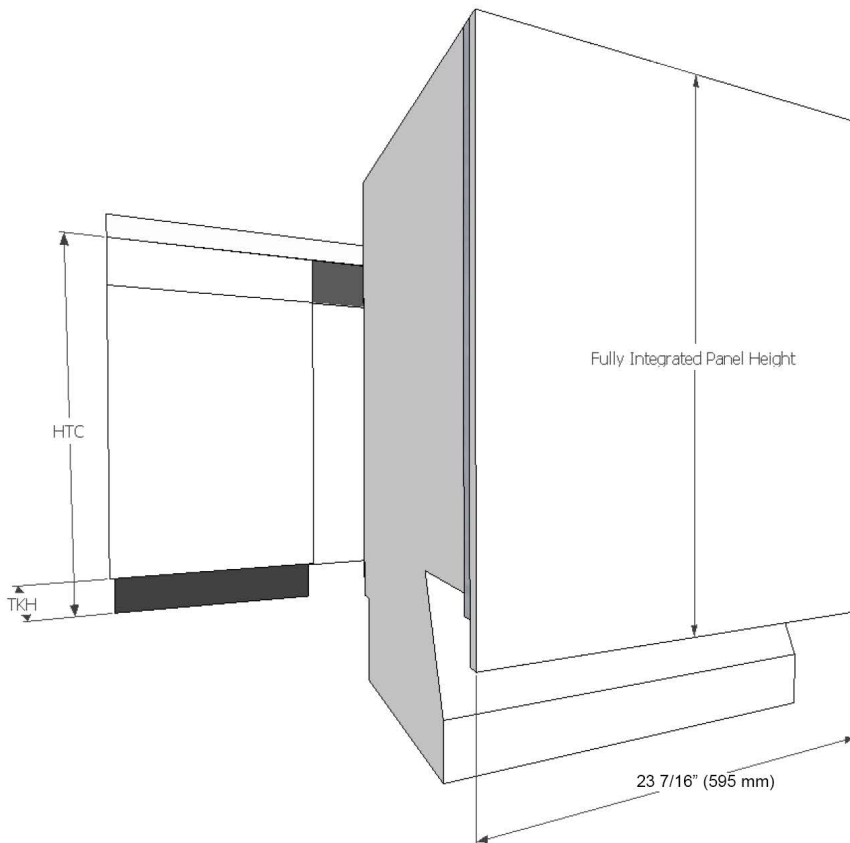
Futura Series

Fully Integrated Dishwashers



Custom Panel Installation

Some Miele dishwashers do not come equipped with a front panel. These dishwashers are designed to accept a custom door panel supplied by a cabinet maker. Miele has a unique panel integration system which allows the dishwasher to align with the surrounding cabinets.



Width: 23 7/16" (595 mm) in all Cases
Thickness: 3/4" (19 mm) in all Cases
Height: Determined using the following calculation:

$$\text{Panel Height} = \text{HTC} - \text{TKH}$$

HTC = Height to the underside of countertop
TKH = Toe kick height

Note: Control panel is along the top edge of the unit. It is not visible when the unit is closed. A handle **MUST** be located on front of panel in order to open unit. (Except K2o models).

Maximum panel height: 31 7/8" (810 mm)

Minimum panel height: 27 1/8" (690 mm)

Maximum panel weight: 21 lbs (9.5 kg)

GFVI Installations

Miele offers pre-fabricated stainless steel panels for all fully integrated units. These panels are designed for various toe-kick heights and offer a choice of handle options. See Miele Product Brochure for more info.

Futura Series

Fully Integrated Dishwashers



Acceptable Height Installation

		Height to underside of countertop										
		33 3/4	34	34 1/4	34 1/2	34 3/4	35	35 1/4	35 1/2	35 3/4	36	
Toe Kick Height	2 1/2	Acceptable combinations										
	3	Acceptable combinations										
	3 1/2	Acceptable combinations										
	4	Acceptable combinations			Typical American installation							
	4 1/2	Acceptable combinations										
	5	Acceptable combinations										
	5 1/2	Acceptable combinations										
	6	Acceptable combinations										
	6 1/2	Acceptable combinations										
	7	Acceptable combinations										
	7 1/2	Acceptable combinations										
	8	Acceptable combinations										
	8 1/2	Acceptable combinations										
				Acceptable combinations								
				Typical American installation								