

# FRIGIDAIRE

## Factory Parts Catalog

<b>Product No.</b>	<b>FRTE1026AB</b>
<b>Base model</b>	FRTE1026A
<b>Series</b>	Frigidaire
<b>Color</b>	black
<b>Owner's Guide</b>	A31379301
<b>Market</b>	North America

### **Frigidaire**

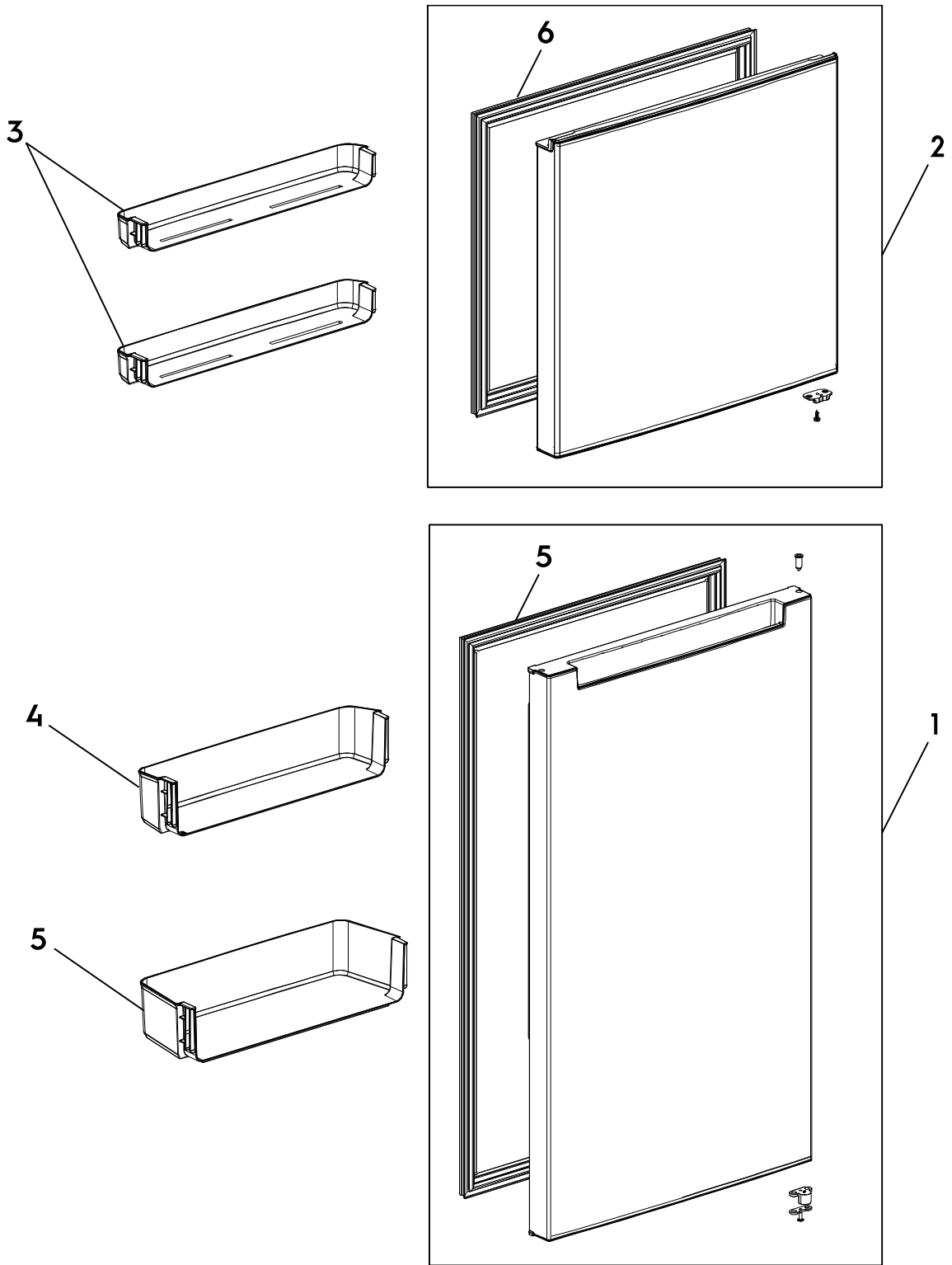
P.O. BOX 8020  
CHARLOTTE, NC 28262

Publication No.  
**5995751137**  
26/06/10  
(EN/SERVICE/)  
390

### **TOP-MOUNT REFRIGERATOR**

Model No.  
FRTE1026A

**DOOR**



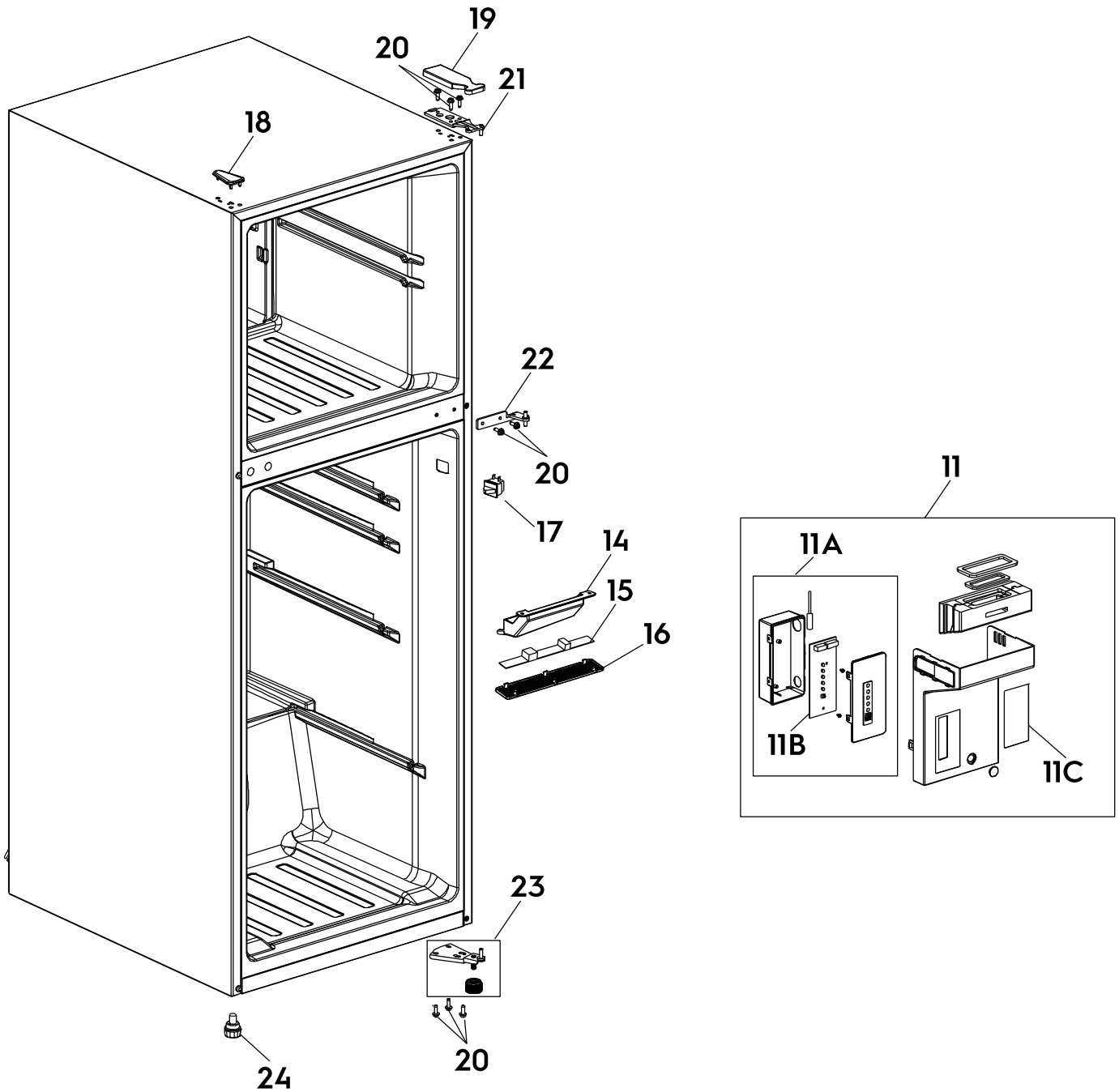
**DRFRTE1026AB**

**DOOR**

---

<b>POS. NO</b>	<b>PART NO.</b>	<b>DESCRIPTION</b>
1	4056049408	Door assembly complete, refrigerator, black
2	4056049382	Door assembly complete, freezer, black
3	4056049150	Bin, door shelf, freezer
4	4056049168	Bin, door shelf, upper fridge
5	4056049176	Bin, door shelf, lower fridge
6	4056049390	Gasket, freezer door, freezer door
7	4056049416	Gasket, refrigerator, door

**CABINET**



**CAFRT1026AB**

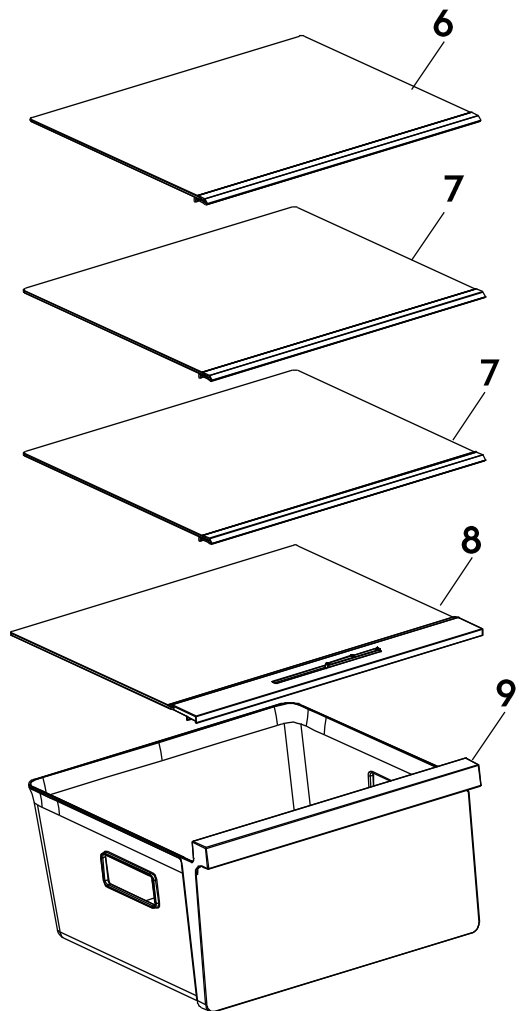
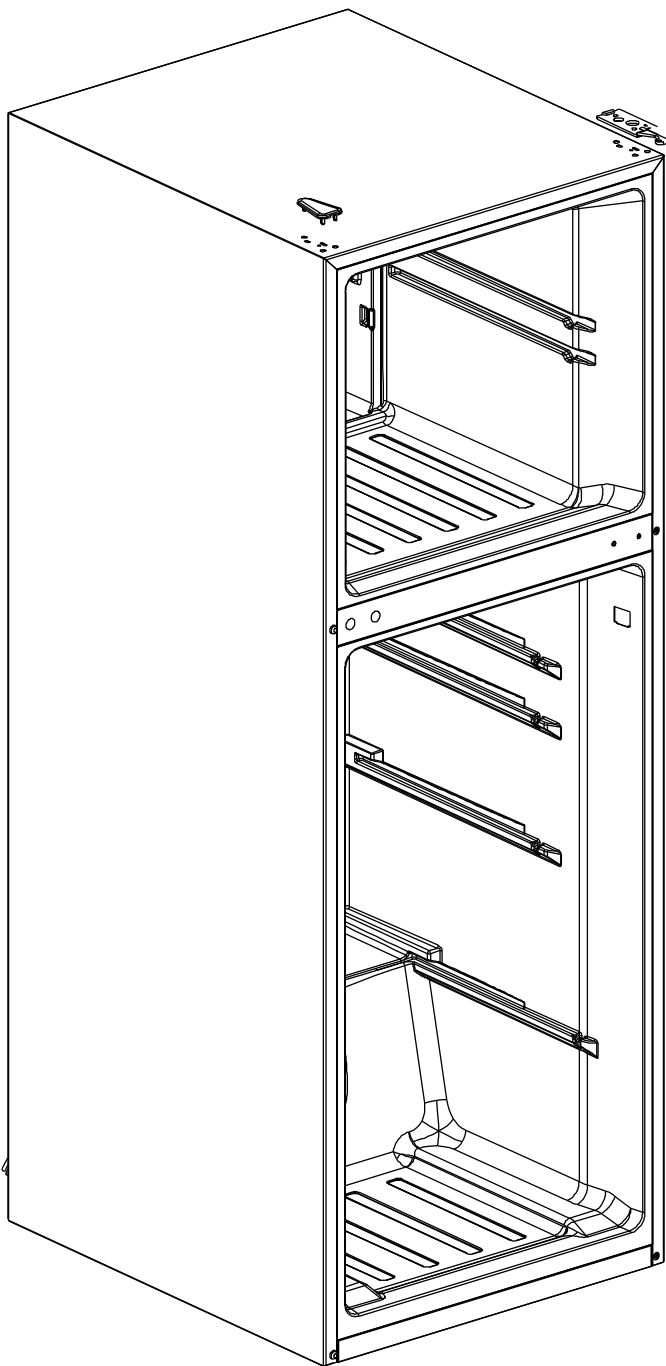
---

**CABINET**


---

<b>POS. NO</b>	<b>PART NO.</b>	<b>DESCRIPTION</b>
11	4056049226	Air duct assembly, refrigerator
11A#	4056049234	Control and Display Board, assembly, w/housing
11B#	4056049242	User Interface Board, pcb
11C#	4056049259	Control Panel, user interface
14	4056049275	Tray drain, upper cabinet
15 #	5304536962	Light Bulb, lamp
16	4056049283	Lamp Cover, assembly
17 #	5304498687	Switch, lamp/light
18	5304487853	Cover, hinge holes, black, top
19	4056049424	Hinge Cover, upper cabinet, right
20	5304536971	Screw, hinge
21	4055390647	Hinge Assembly, upper cabinet, right
22	5304492659	Foot, adjustable, cabinet
23	4056049317	Hinge lower assembly, adjustable foot
24	4056049309	Hinge Assembly, middle

**SHELVES**



**SHFRTE1026AB**

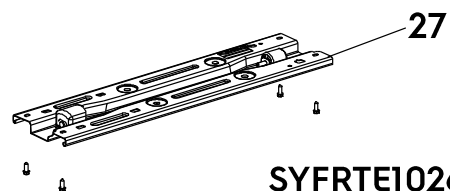
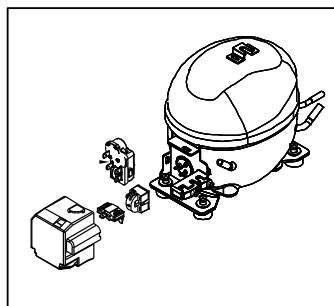
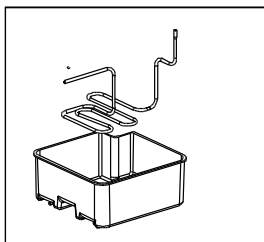
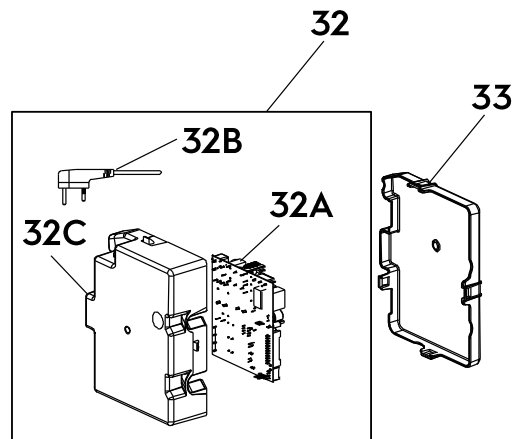
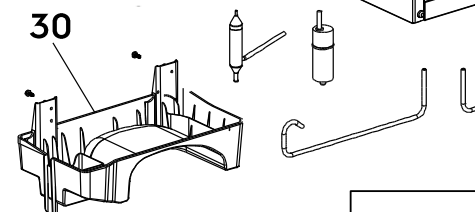
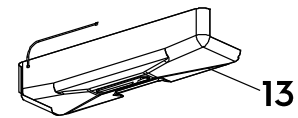
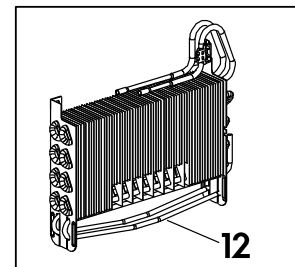
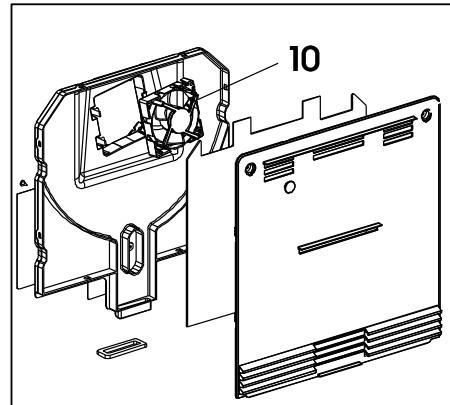
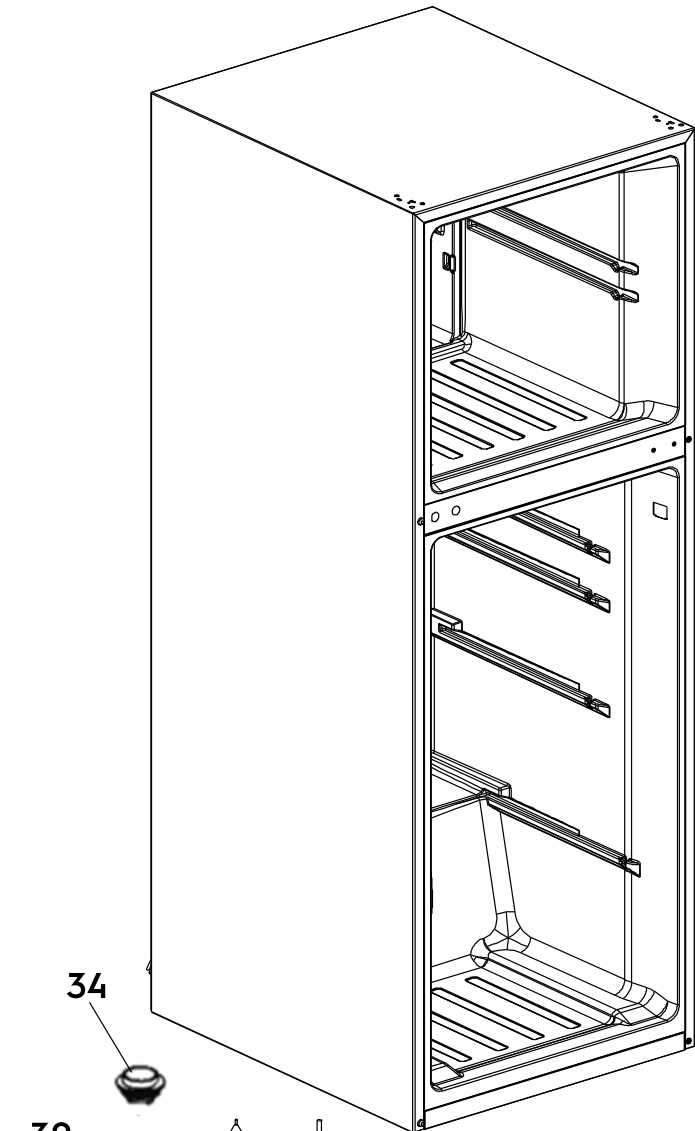
**SHELVES**

---

<b>POS. NO</b>	<b>PART NO.</b>	<b>DESCRIPTION</b>
6	4056049184	Glass shelf assembly, freezer
7	4056049192	Glass shelf assembly, upper, refrigerator
8	4056049200	Glass shelf assembly, lower, refrigerator
9	4056049218	Vegetable box, lower drawer, assembly, refrigerator

**SYSTEM**

May show more parts than really exist!



**SYFRTE1026AB**

**SYSTEM**

---

<b>POS. NO</b>	<b>PART NO.</b>	<b>DESCRIPTION</b>
10#	4056078183	Motor fan, evaporator, freezer
12#	4056078191	Defrost Heater, evaporator
13	4056049267	Evaporator tray, trough drain
27	4056049325	Compressor base, assembly
30	4056049333	Drain Pan
32#	4056049341	Configured electronic assembly, power board, w/ power cord & cover
32A#	4056049358	Main Electronic Board
32B#	5304536983	Power Cord
32C	4056049366	Cover, main board
33	4056049374	Housing, main board
34	5304507516	Valve, duck bill, rubber, drain tube